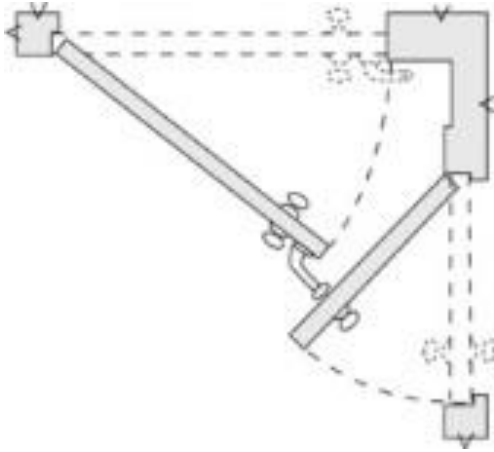
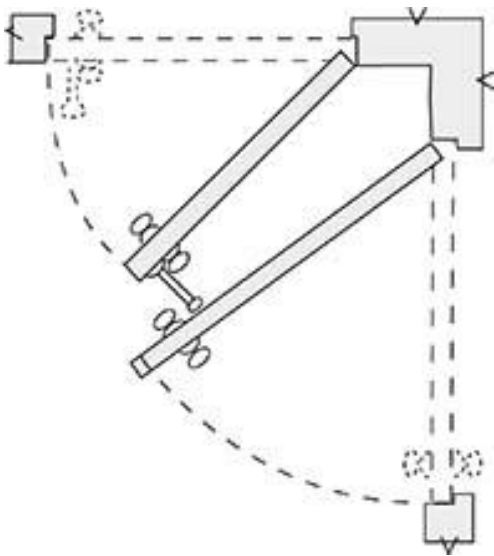


Roller Stops are used when two doors swing into each other.

Use Rockwood 455 curved roller stop when your situation is like this:



Use the straight roller stop for doors that are back to back swinging. They are available in two different projection lengths. Rockwood 456 is 4-9/16" projection and 456L is 6-1/4" projection.



There are only two other options if roller stops are not used to prevent damage to the doors: Overhead Stop and/or Hinge Pin Stop. The advantage with the roller stop is that it closes one door as the second door is opening.