

INSTALLATION INSTRUCTIONS

8500 / 12-8500 / AD8500 Narrow Design Rim Exit Device

FOR INSTALLATION ASSISTANCE CALL SARGENT AT 1-800-727-5477 • www.sargentlock.com

SARGENT®

ASSA ABLOY

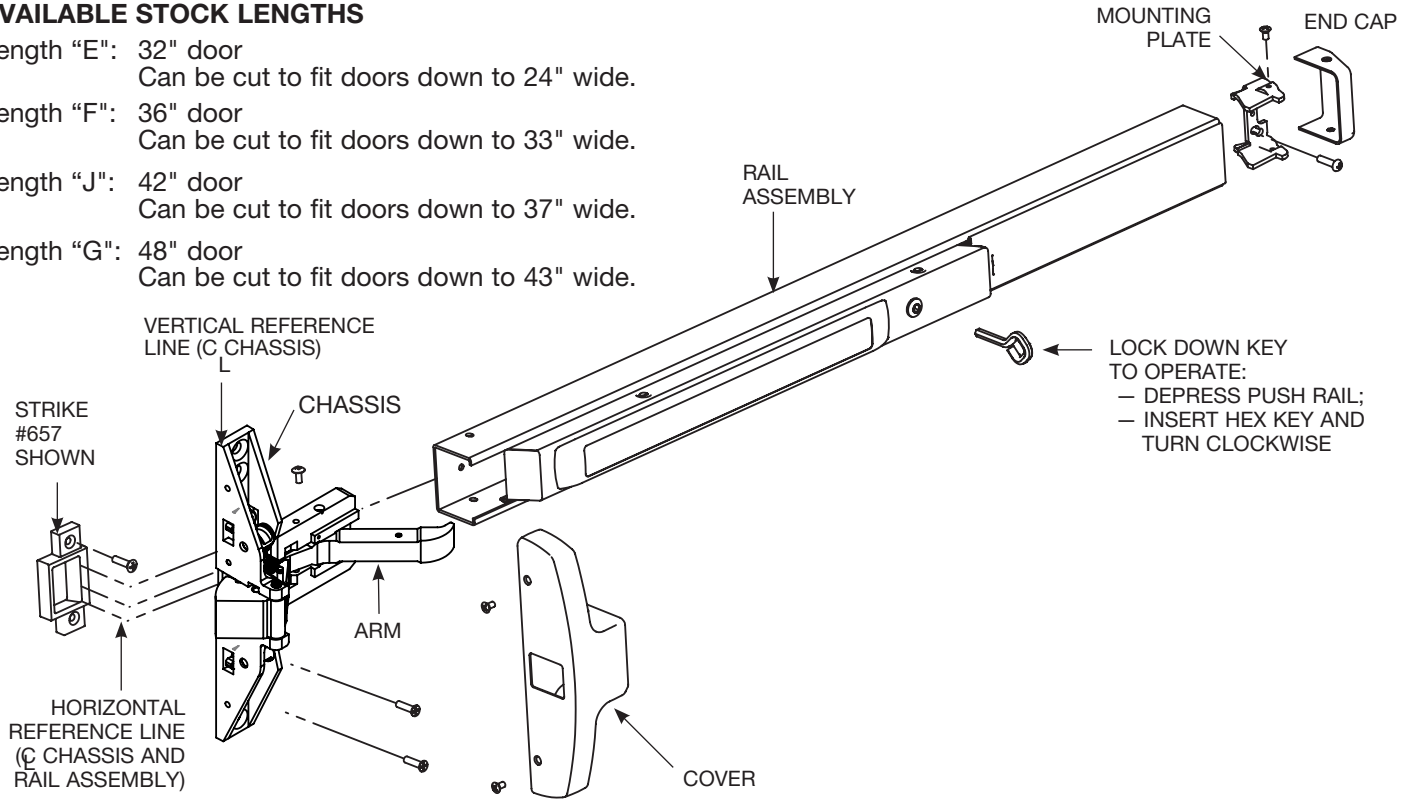
CAUTION: BEFORE STARTING

- INSTALL MULLION IF USED
- DOOR SHOULD BE FITTED AND HUNG
- CHECK BOX LABEL FOR SIZE OF EXIT DEVICE FUNCTION AND DESIGN

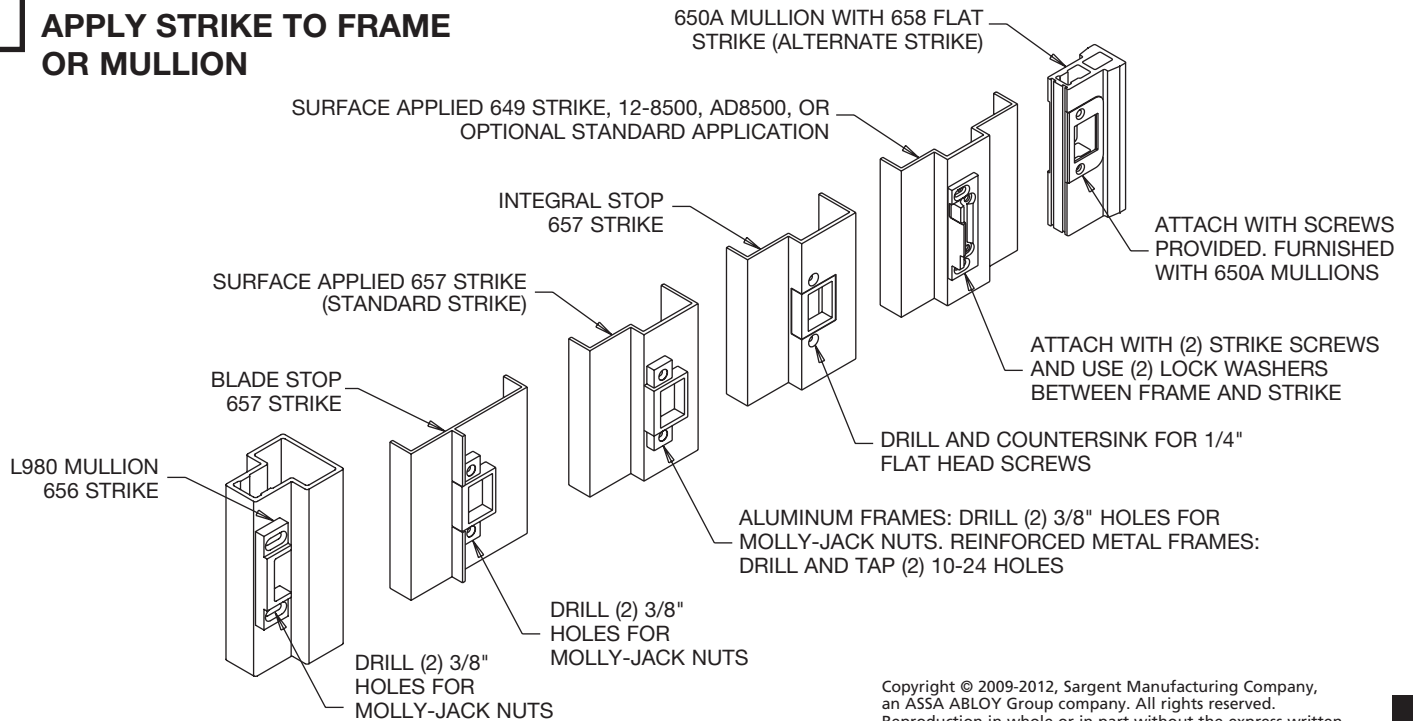
IMPORTANT: SURFACE OF DOOR WHERE EXIT DEVICE IS TO BE APPLIED MUST BE FLUSH. CLEAR AWAY ANY RAISED PROJECTIONS TO ALLOW EXIT DEVICE TO REST FLAT ON SURFACE OF DOOR.

AVAILABLE STOCK LENGTHS

- Length "E": 32" door
Can be cut to fit doors down to 24" wide.
- Length "F": 36" door
Can be cut to fit doors down to 33" wide.
- Length "J": 42" door
Can be cut to fit doors down to 37" wide.
- Length "G": 48" door
Can be cut to fit doors down to 43" wide.

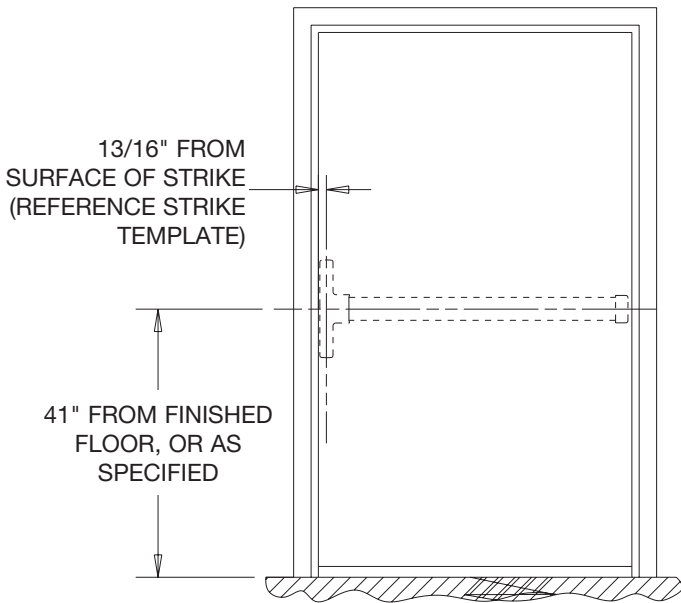


1 APPLY STRIKE TO FRAME OR MULLION



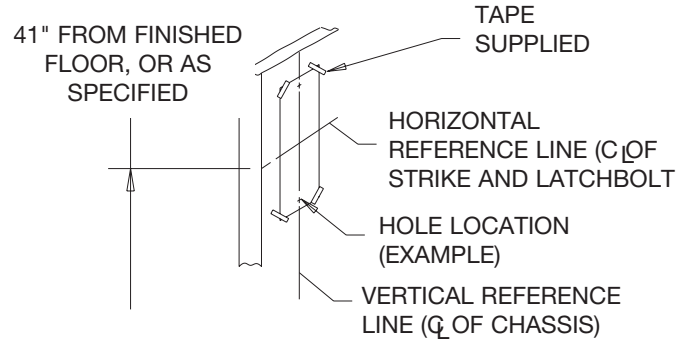
Copyright © 2009-2012, Sargent Manufacturing Company, an ASSA ABLOY Group company. All rights reserved. Reproduction in whole or in part without the express written permission of Sargent Manufacturing Company is prohibited.

2 MARK VERTICAL AND HORIZONTAL REFERENCE LINES ON DOOR



3 PREPARE DOOR

TAPE TEMPLATE ON INSIDE OF DOOR ALONG REFERENCE LINES. SPOT AND DRILL HOLES. MORTISE HOLES FOR OUTSIDE TRIM, IF REQUIRED.

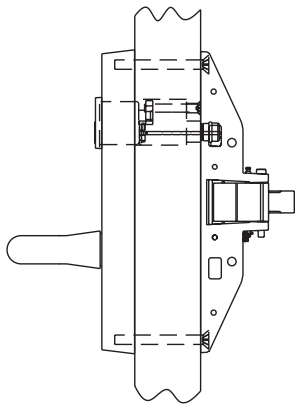
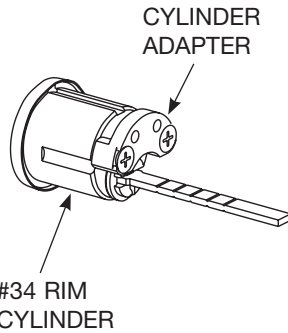


**4 8500 / 12-8500
04, 44, 10, 40 FUNCTIONS**

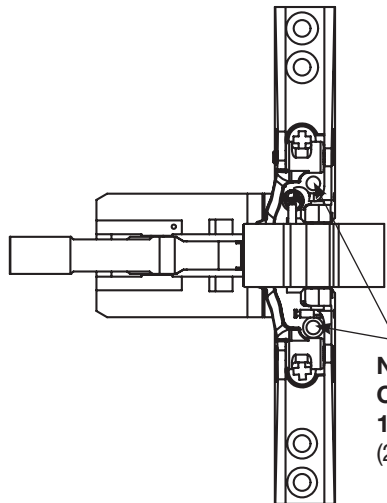
TRIM CYLINDER TAIL FOR 1/4" TO 1/2" PROJECTION THRU DOOR, 04 / 44 FUNCTIONS.

INSTALL CYLINDER ADAPTER ON CYLINDER BEFORE INSTALLING CYLINDER IN DOOR.

10/40 FUNCTIONS: SAME EXCEPT NO CYLINDER.



8504 SHOWN

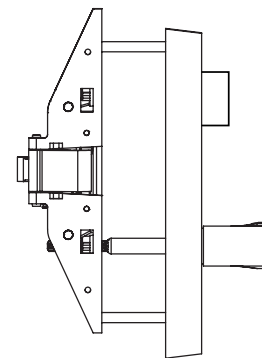


NOTE:
CHASSIS SCREWS REQUIRED,
12-FIRE RATED DEVICES, AS SHOWN.
(2) #10-24 x 1 1/4" PH #8 OV. HD. MACHINE SCREWS

**8500 / 12-8500
13, 15, 43, 73, 74 Functions**

USING VERTICAL AND HORIZONTAL REFERENCE LINES, ATTACH TRIM, OUTSIDE DOOR SURFACE.

THRU-BOLT CHASSIS TO TRIM, INSIDE DOOR SURFACE, TOP AND BOTTOM, AS SHOWN.



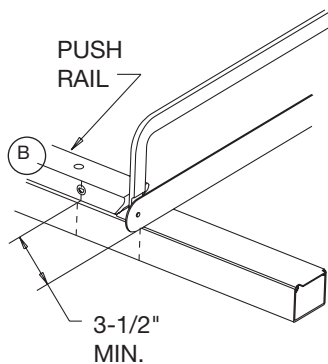
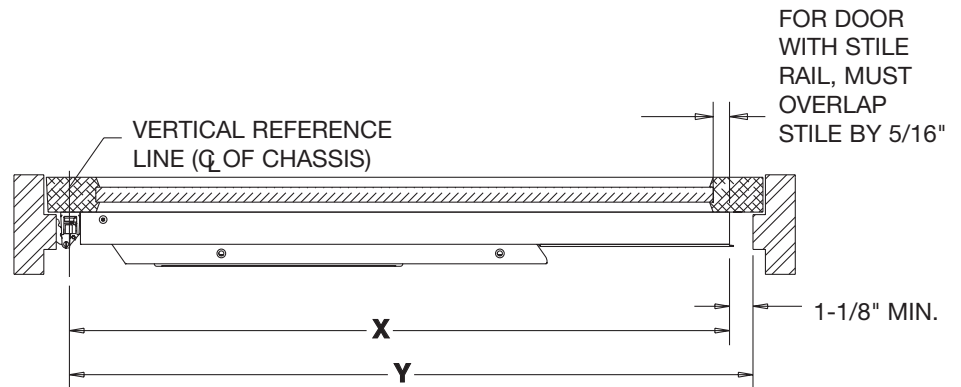
8513 SHOWN

5

APPLY HARDWARE

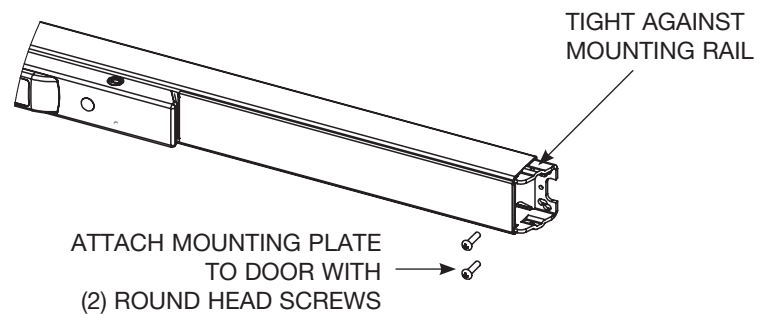
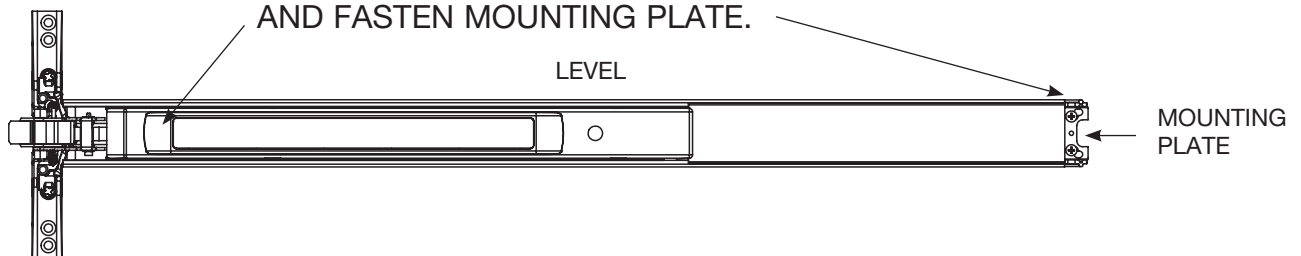
A DETERMINE CUT OFF DIMENSION "X" BY SUBTRACTING 1-1/8" FROM DIMENSION "Y". MARK CUT OFF POINT ON MOUNTING RAIL.

- CHECK BOX LABEL. IF CUTTING IS NOT REQUIRED, PROCEED TO STEP "B".
- IF CUTTING IS REQUIRED, CONTINUE WITH STEP "A".



CAUTION
DO NOT CUT CLOSER THAN 3-1/2" FROM THE PIVOT PIN IN THE PUSH RAIL

B DEPRESS ARM INTO RAIL OPENING AND SLIDE RAIL ONTO CHASSIS. LEVEL RAIL AND FASTEN MOUNTING PLATE.

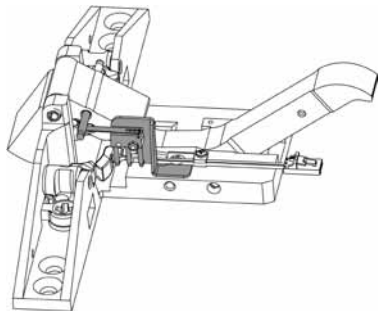


6

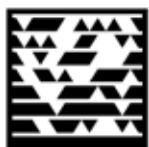
(-53) LATCH BOLT MONITORING ADJUSTMENT

Note: The latch bolt switch will come pre-set for the most common applications. If the sensitivity needs to be adjusted, follow the steps below.

1. Loosen screw and nut
2. Rotate switch (up for quicker reaction or down for slower reaction).
3. Tighten screw and nut
4. Check operation
5. Install chassis cover



NOTE: Make sure switch is located on the mounting post and the screw and nut are securely fastened



Using your mobile phone, scan this Microsoft® Tag. Download the free mobile app at <http://gettag.mobi>

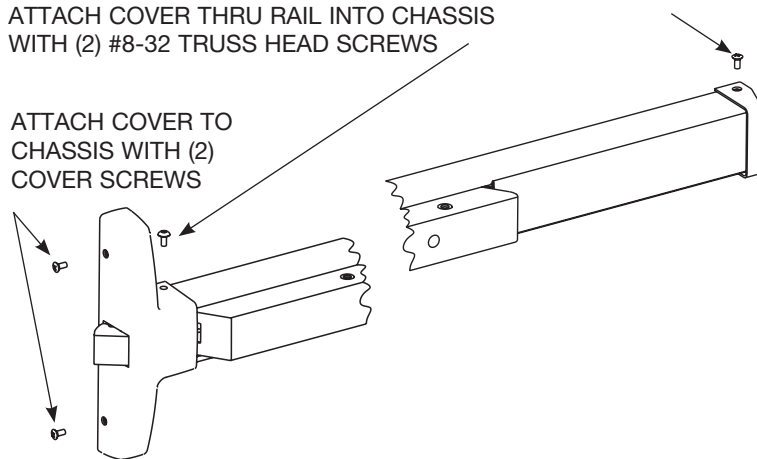
7

APPLY COVERS

ATTACH COVER THRU RAIL INTO CHASSIS WITH (2) #8-32 TRUSS HEAD SCREWS

ATTACH COVER TO CHASSIS WITH (2) COVER SCREWS

ATTACH END CAP TO MOUNTING PLATE WITH (2) COVER SCREWS



SCREW PACKS AND MISCELLANEOUS PARTS

ITEM	QTY.	PART No.	DESCRIPTION
1	1	565	MOUNTING PACK (END CAP)
2	1	68-2279	MOUNTING PACK (THRU BOLTING, 1-3/4" DOOR)
3	1	68-2280	MOUNTING PACK (THRU BOLTING, 2-1/4" DOOR)
4	2	01-1032	#10-24 x 1 1/4" PHILLIPS #8 OVAL HEAD MACHINE SCREWS
5	1	13-2099	CYLINDER RETAINER PACK
6	1	668 SHIM KIT	668 SHIM KIT, 1/4" THICK
7	1	68-2596	HEX KEY DOGGING KIT
8	1	816	CYLINDER DOGGING KIT
9	1	01-4451	THRU BOLT 1/4"-20 X 2-3/8"
10	1	01-4372	THRU BOLT 1/4"-20 X 2-5/8"
11	1	01-4373	THRU BOLT 1/4"-20 X 2-7/8"
12	1	68-0879	END CAP
13	1	68-0495	CHASSIS COVER
14	1	98-0028	LATCH BOLT SPRING
15	1	809	TOUCH BAR REPLACEMENT KIT

4

Copyright © 2009-2012, Sargent Manufacturing Company, an ASSA ABLOY Group company. All rights reserved. Reproduction in whole or in part without the express written permission of Sargent Manufacturing Company is prohibited.

A6699N

SARGENT®

ASSA ABLOY

ASSA ABLOY, the global leader in door opening solutions