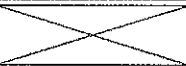
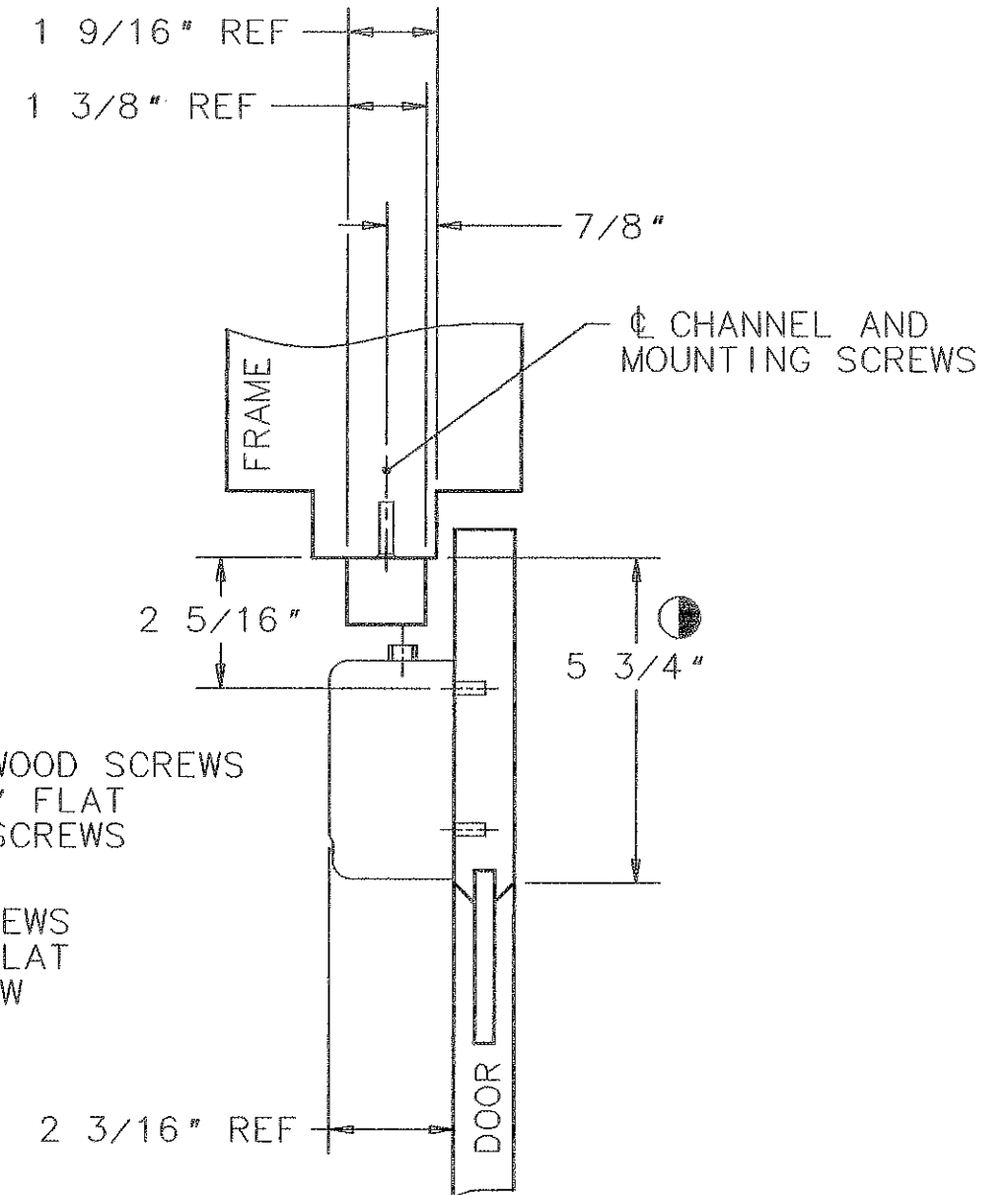
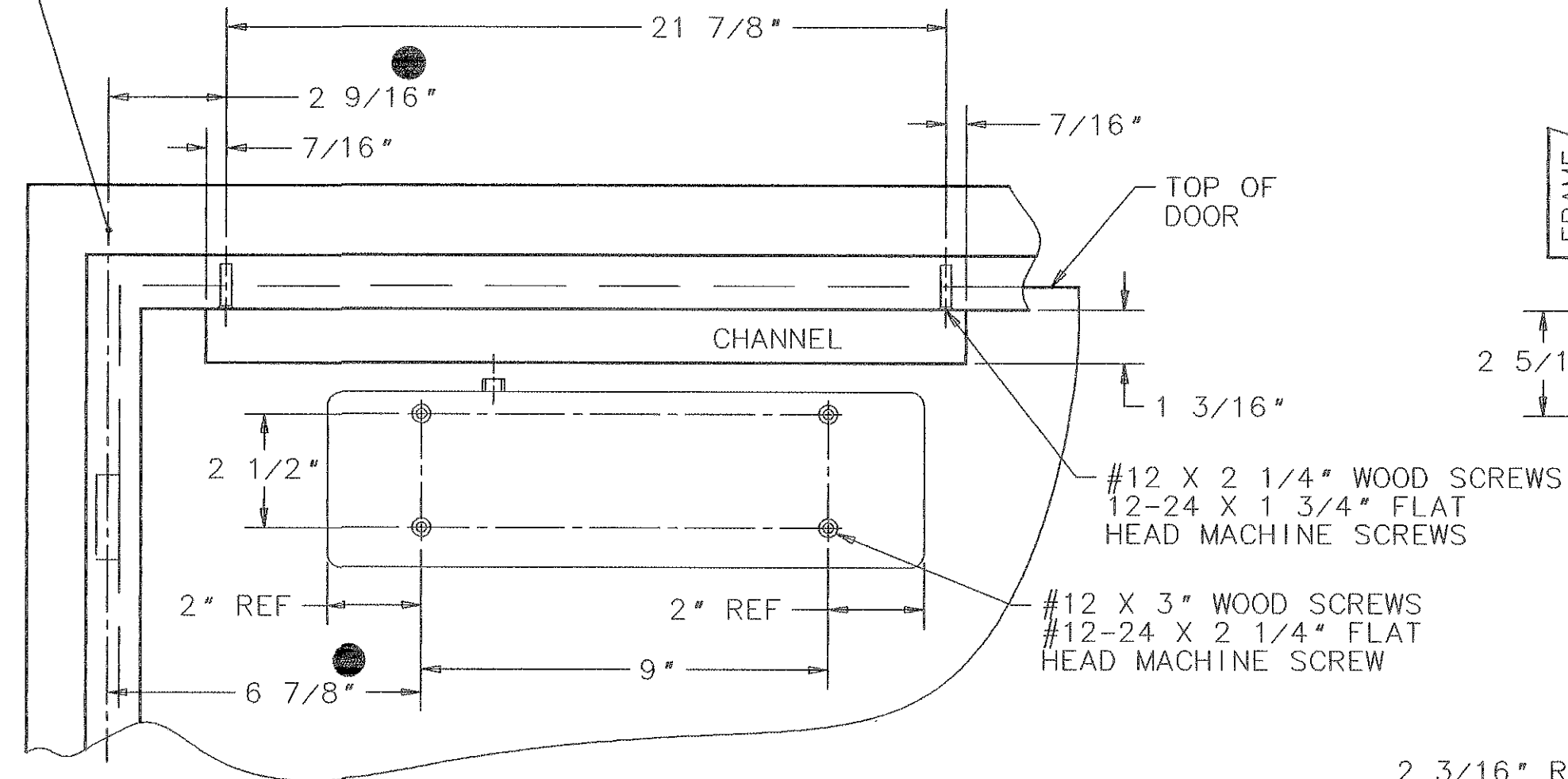


DESCRIPTION	ARM TYPE	MAXIMUM DOOR OPENING		RANGE OF HOLD OPEN
		WITH BUMPER	WITHOUT BUMPER	
REGULAR ARM	POT/POTB	95°	100°	
HOLDER ARM	PHT/PHTB	95°	100°	85° TO 95°

☉ HINGE PIVOT (BUTTS, OFFSET PIVOTS, CENTER HUNG OR INVISIBLE HINGES)



③ THIS DIMENSION IS TAKEN FROM HINGE EDGE OF DOOR FOR INVISIBLE HINGES.

② LEFT HAND DOOR SHOWN. RIGHT HAND DOOR OPPOSITE.

① 12 GAUGE MIN. REINFORCEMENT REQUIRED FOR METAL DOORS AND FRAMES.

④ SPACE REQUIRED TO MOUNT CLOSER ON RAIL. IF SPACE IS LESS THAN SHOWN USE 351-D DROP PLATE. SEE DATA SHEET A6745 FOR DETAILS.

SARGENT MFG. COMPANY

NEW HAVEN, CONN. 06511

DATA SHEET: 351 SERIES CLOSER  
TRACK TYPE APPLICATION  
(PUSH SIDE MOUNTING)  
POT/POTB AND PHT/PHTB ARMS

EFFECTIVE DATE  
**SEPT. 99**  
TEMPLET NO.  
A6750 B