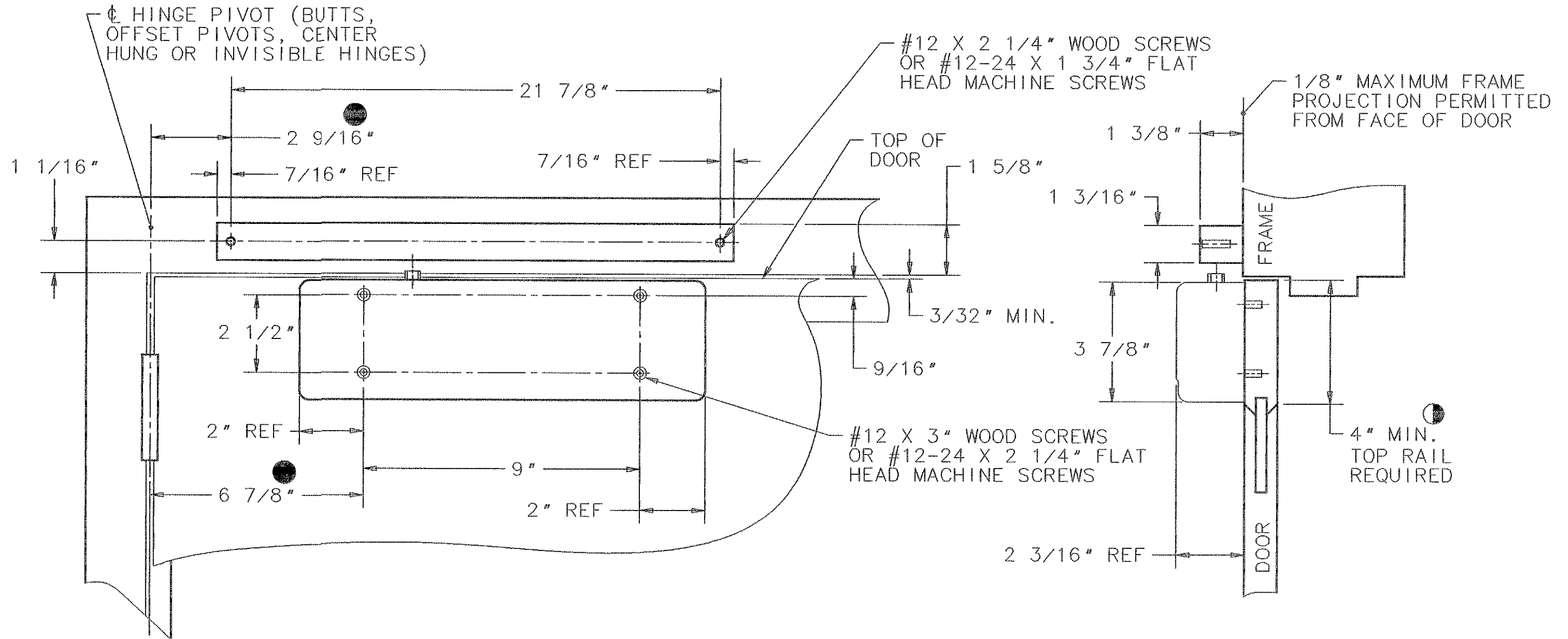


DESCRIPTION	ARM TYPE	MAXIMUM DOOR OPENING		RANGE OF HOLD OPEN
		WITH BUMPER	WITHOUT BUMPER	
REGULAR ARM	OT	120°	160°	
HOLDER ARM	HT	120°	160°	85° TO 120°



③ [● THIS DIMENSION IS TAKEN FROM HINGE EDGE OF DOOR FOR INVISIBLE HINGES.

② [RIGHT HAND DOOR SHOWN. LEFT HAND DOOR OPPOSITE.

① [12 GAUGE MIN. REINFORCEMENT REQUIRED FOR METAL DOORS AND FRAMES.

⑤ [● 351-A MOUNTING PLATE MAY BE USED FOR DOOR WITH NARROW TOP RAIL.

④ [● IF BUTT FRAME AND WALL CONDITIONS PERMIT, CLOSER WILL ALLOW DOOR TO OPEN 180°.

SARGENT MFG. COMPANY		NEW HAVEN, CONN. 06511	
DATA SHEET: 351 SERIES CLOSER TRACK TYPE APPLICATION (PULL SIDE MOUNTING) OT AND HT ARMS			EFFECTIVE DATE <b>SEPT. 99</b>
			TEMPLER NO. A6749 B