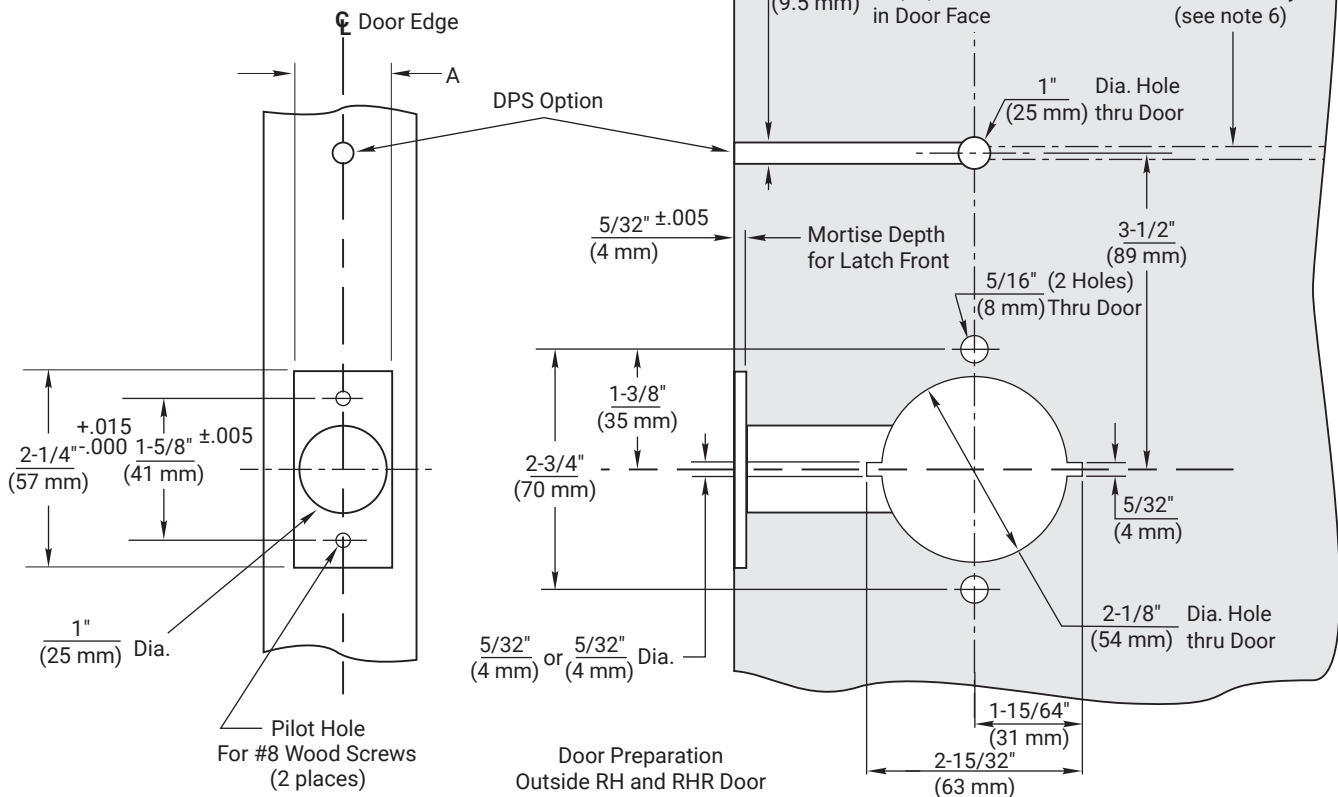
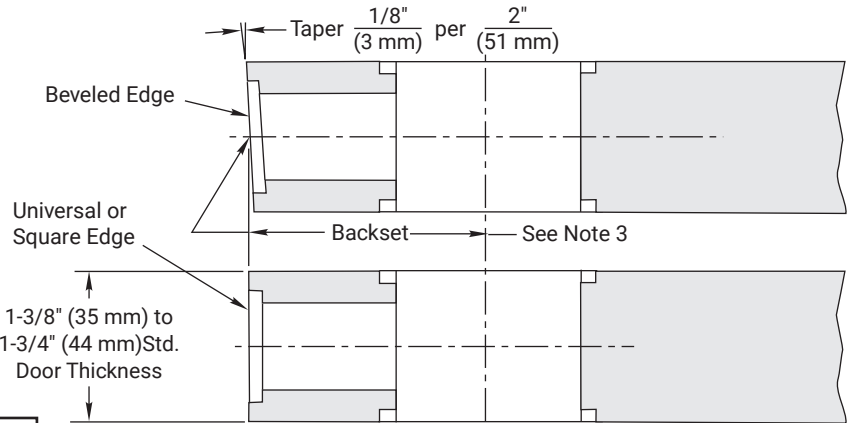


NOTES:

1. Do not scale drawing.
2. For strike preparation refer to:
 - 371 Strike - Template No. 7102-0005
 - 497 Strike - Template No. 7102-0003
3. Backset: 2-3/4" (70 mm) standard
4. For H.M. door preparation refer to: Template No. 80-8150-0033-010
5. All dimensions given in inches (mm).
6. Wire raceway required for hard power option. Raceway to connect Ø1" (25.4 mm) hole to hinge edge power source.

nexTouch™ Cylindrical Locks	
NTB610/612/613	Cylinder Override - Push Button
NTB620/622/623	Cylinder Override - Cap Touch
NTB630/632/633	No Cylindrical Override - Push Button
NTB640/642/643	No Cylindrical Override - Cap Touch

nexTouch™ Cylindrical Locks				
Latch No.	Front	Backset	Latchbolt Throw	Front Dim. A
694 (std)	Beveled	2-3/4" (70 mm)	1/2" (13 mm)	1-1/8" (29 mm)
F694	Flat	2-3/4" (70 mm)	1/2" (13 mm)	1-1/8" (29 mm)
480B	Beveled	2-3/4" (70 mm)	3/4" (19 mm)	1-1/8" (29 mm)
F480B	Flat	2-3/4" (70 mm)	3/4" (19 mm)	1-1/8" (29 mm)



RESPONSIBILITY
 DOOR AND FRAME MANUFACTURERS ARE RESPONSIBLE FOR PROVIDING ADEQUATE CONSTRUCTION OR REINFORCEMENTS FOR PROPER INSTALLATION OF HARDWARE SHOWN. ALL ARCHITECTURAL BUILDERS HARDWARE MUST BE INSTALLED ON PROPERLY REINFORCED DOORS AND FRAMES, REGARDLESS OF TYPE, MATERIAL, OR METHOD OF CONSTRUCTION.

nexTouch™ Cylindrical Locks
 Wood Door Preparation 2-3/4" (70 mm) Backsets
 800-810-9473
 www.accentra-assaabloy.com

ACCENTRA
ASSA ABLOY

Experience a safer and more open world

Copyright © 2022, 2024, ASSA ABLOY Access and Egress Hardware Group, Inc. All rights reserved. Reproduction in whole or in part without the express written permission of ASSA ABLOY Access and Egress Hardware Group, Inc. is prohibited.

SUPERSEDES 80-8150-0034-010 (09/22)	DO NOT SCALE DRAWING	
TEMPLATE NUMBER	SHEET	DATE
80-8150-0034-010	1 of 1	06/24