

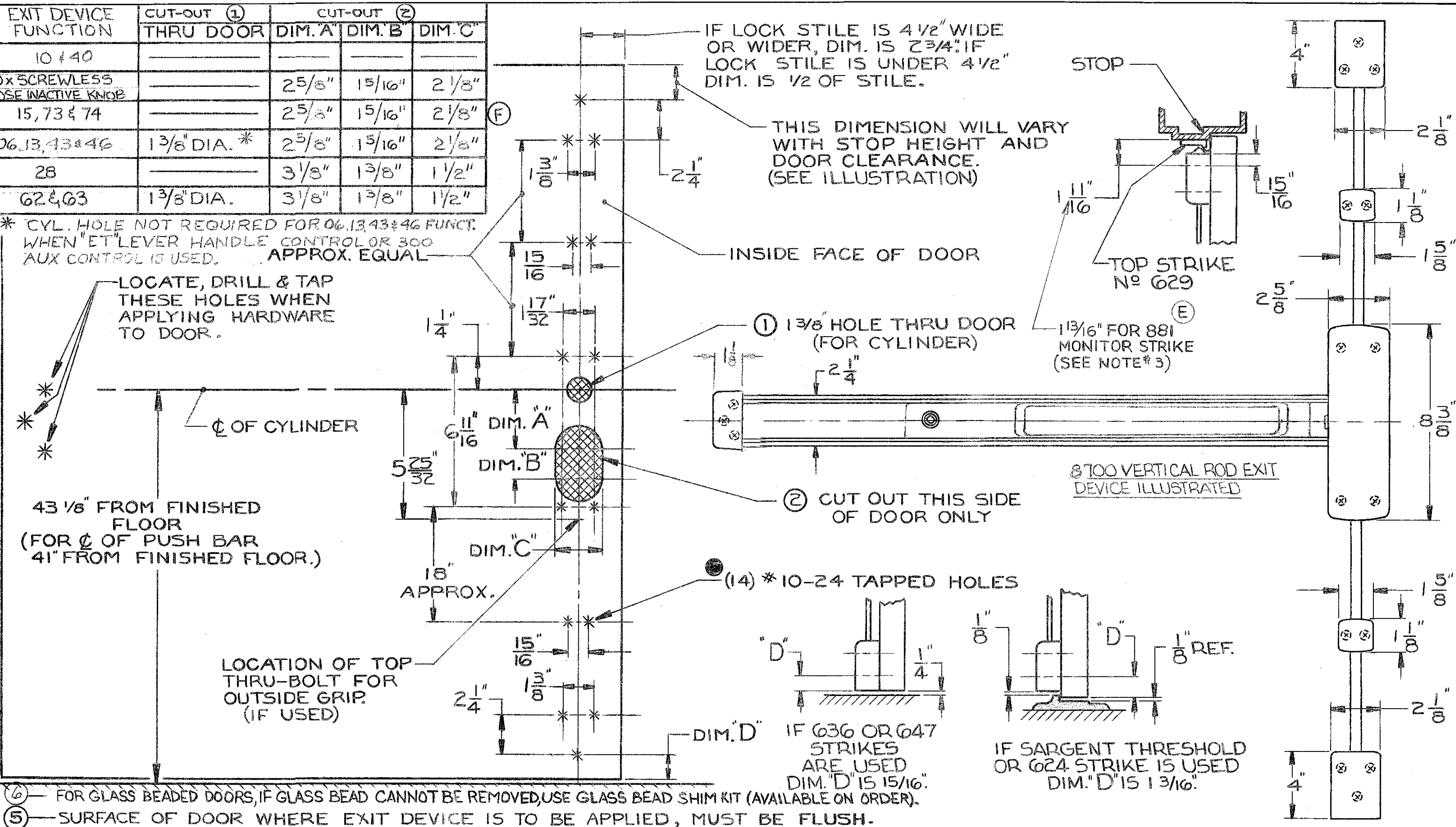
EXIT DEVICE FUNCTION	CUT-OUT (1)		CUT-OUT (2)	
	THRU DOOR	DIM. "A"	DIM. "B"	DIM. "C"
10 & 40	—	—	—	—
10x SCREWLESS ROSE INACTIVE KNOB	—	2 5/8"	1 5/16"	2 1/8"
15, 73 & 74	—	2 5/8"	1 5/16"	2 1/8"
06, 13, 43 & 46	1 3/8" DIA. *	2 5/8"	1 5/16"	2 1/8"
28	—	3 1/8"	1 3/8"	1 1/2"
62 & 63	1 3/8" DIA.	3 1/8"	1 3/8"	1 1/2"

* CYL. HOLE NOT REQUIRED FOR 06, 13, 43 & 46 FUNCT. WHEN "ET" LEVER HANDLE CONTROL OR 300 AUX CONTROL IS USED. APPROX. EQUAL

LOCATE, DRILL & TAP THESE HOLES WHEN APPLYING HARDWARE TO DOOR.

43 1/8" FROM FINISHED FLOOR (FOR ϕ OF PUSH BAR 41" FROM FINISHED FLOOR.)

LOCATION OF TOP THRU-BOLT FOR OUTSIDE GRIP. (IF USED)



IF LOCK STILE IS 4 1/2" WIDE OR WIDER, DIM. IS 2 3/4". IF LOCK STILE IS UNDER 4 1/2" DIM. IS 1/2 OF STILE.

THIS DIMENSION WILL VARY WITH STOP HEIGHT AND DOOR CLEARANCE. (SEE ILLUSTRATION)

INSIDE FACE OF DOOR

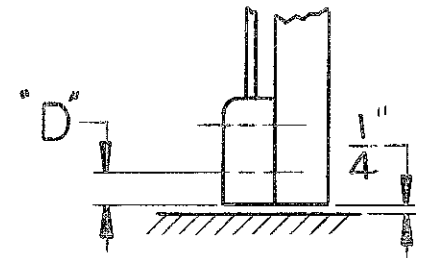
① 1 3/8" HOLE THRU DOOR (FOR CYLINDER)

1 13/16" FOR 881 MONITOR STRIKE (SEE NOTE # 3)

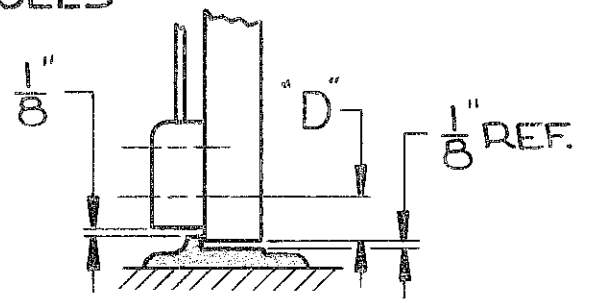
② CUT OUT THIS SIDE OF DOOR ONLY

8100 VERTICAL ROD EXIT DEVICE ILLUSTRATED

(14) * 10-24 TAPPED HOLES



DIM. "D" IF 636 OR 647 STRIKES ARE USED DIM. "D" IS 1 5/16"



IF SARGENT THRESHOLD OR 624 STRIKE IS USED DIM. "D" IS 1 3/16"

- ⑥ — FOR GLASS BEADED DOORS, IF GLASS BEAD CANNOT BE REMOVED, USE GLASS BEAD SHIM KIT (AVAILABLE ON ORDER).
- ⑤ — SURFACE OF DOOR WHERE EXIT DEVICE IS TO BE APPLIED, MUST BE FLUSH.
- ④ — SEE MASTER SHEET N° 4019 FOR AREAS REQUIRING REINFORCEMENTS.
- ③ — SEE STRIKE TEMPLATE N° 4009 FOR 629 (TOP) AND 624, 636 & 647 (BOTTOM) STRIKES. FOR 881 MONITOR STRIKE SEE TEMPLATE 4387.
- ② — WE RECOMMEND THAT ALL TAPPED HOLES BE DRILLED AND TAPPED IN FIELD.
- ① — TOLERANCE ON ALL DIMENSIONS ± 1/64.

SARGENT & COMPANY		NEW HAVEN, CONN. 06509	
TEMPLATE: FOR 8100 VERTICAL ROD EXIT DEVICE		RELEASE DATE	25 JAN 99
		TEMPLET NO.	4289H