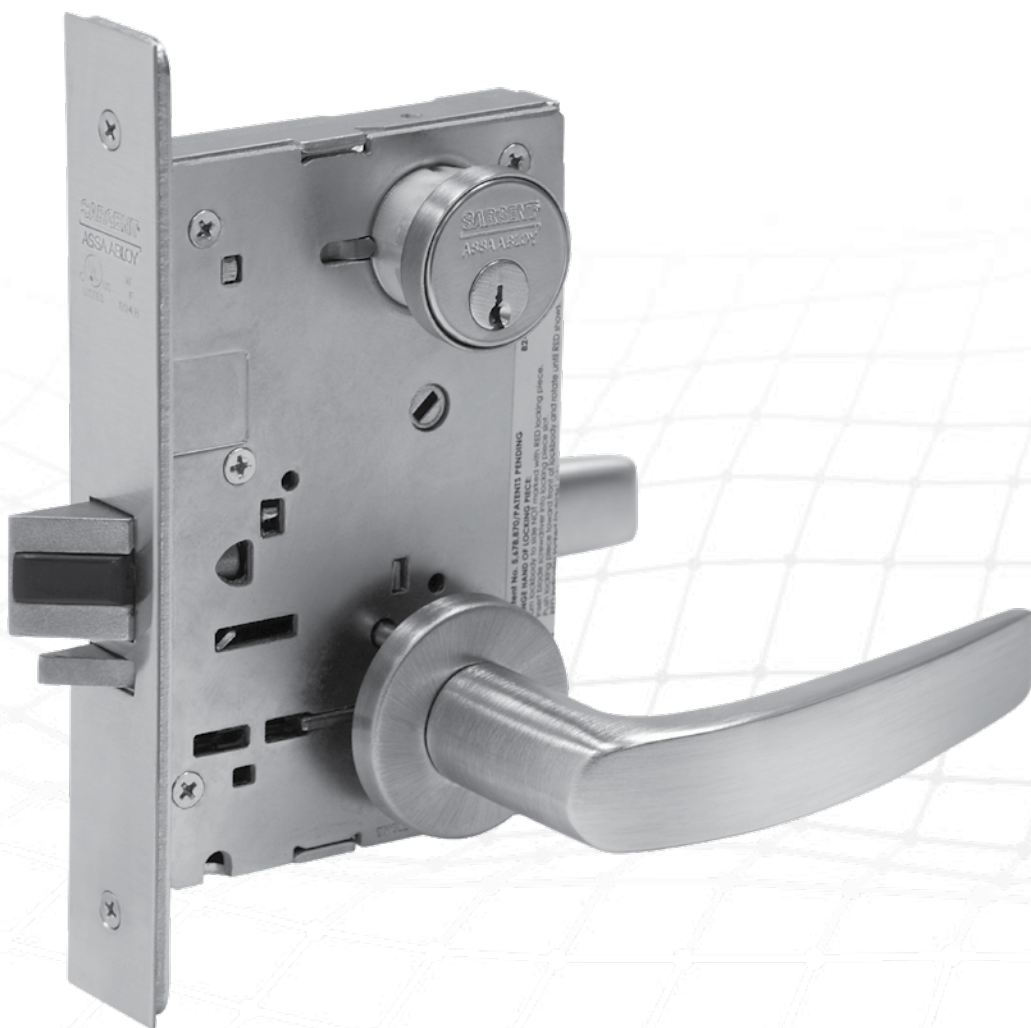


8200 Lockbody Parts Manual



For assistance, contact SARGENT at
800-727-5477 or www.sargentlock.com

Experience a safer
and more open world

⚠ WARNING

This product can expose you to lead which is known to the state of California to cause cancer and birth defects or other reproductive harm. For more information go to www.P65warnings.ca.gov.

TABLE OF CONTENTS



8203 - Classroom Deadbolt.....	1
8223 - DeadLock.....	1
8204 - Storeroom or Closet Lock.....	2
8205 - Entry Lock.....	2
8206 - Storeroom or Service Lock.....	2
8213 - Exit or Communication Lock.....	2
8231 - Utility Lock.....	2
8236 - Closet Lock.....	2
8237 - Classroom Lock.....	2
8238 - Classroom Security-Intruder Latch Bolt Lock.....	2
8215 - Passage or Closet Latch.....	3
8216 - Apartment, Exit or Public Toilet Lock.....	4
8217 - Asylum or Institutional Lock.....	5
8220 - Deadlock.....	6
8221 - Deadlock.....	6
8222 - Deadlock.....	6
8224 - Room Door Lock.....	7
8226 - Store Door Lock.....	7
8227 - Storeroom or Closet Lock.....	7
8268 - Privacy, Bedroom or Bathroom Lock.....	7
8225 - Dormitory or Exit Lock.....	8
8235 - Storeroom Lock.....	8
8239 - Classroom Security-Intruder Deadbolt Lock.....	8
8266 - Privacy, Bedroom or Bathroom Lock.....	8
8228 - Dummy Trim Deadlock.....	9
8229 - Dummy Trim Deadlock.....	9
8230 - Dummy Trim Deadlock.....	9
8240 - Classroom Security-Intruder Deadbolt Lock.....	10
8241 - Classroom Security Lock.....	11
8243 - Apartment Corridor Door Lock.....	12
8245 - Dormitory or Exit Lock.....	13
8246 - Dormitory or Exit Lock.....	13
8247 - Front Door Lock or Apartment Corridor Door Lock.....	14
8248 - Store Door Lock.....	14
8249 - Storeroom Lock.....	15
8250 - Hotel Guest Lock.....	16
8251 - Storeroom Lock With Deadbolt.....	16
8252 - Institutional Lock with Deadbolt.....	17
8255 - Entry Lock.....	18
8256 - Office or Inner Entry Lock.....	19
8259 - Security Classroom Lock.....	20
8265 - Privacy, Bedroom or Bathroom Lock.....	21
8267 - Institutional Privacy Lock.....	22
8289 - Holdback Lock.....	23
8290 - Classroom Security Holdback Lock.....	23
8291 - All-Purpose Holdback Lock.....	24
8292 - All-Purpose Holdback Lock.....	25
8295 - Dummy Lock Trim - Single Lever.....	26
8296 - Dummy Lock Trim - Double Lever.....	26
8297 - Active Dummy Lock Trim - Double Lever.....	26
Options.....	27-31

The warranty on SARGENT® products becomes void if the product is modified in any way, regardless of whether the modification causes or contributes to any alleged defect. If a SARGENT product is modified it may no longer meet industry certification and quality control standards applicable to the original product and is no longer a genuine SARGENT product.

Copyright © 2016-2025 Sargent Manufacturing Company, an ASSA ABLOY Group company. All rights reserved. Reproduction in whole or in part without the express written permission of Sargent Manufacturing Company is prohibited.

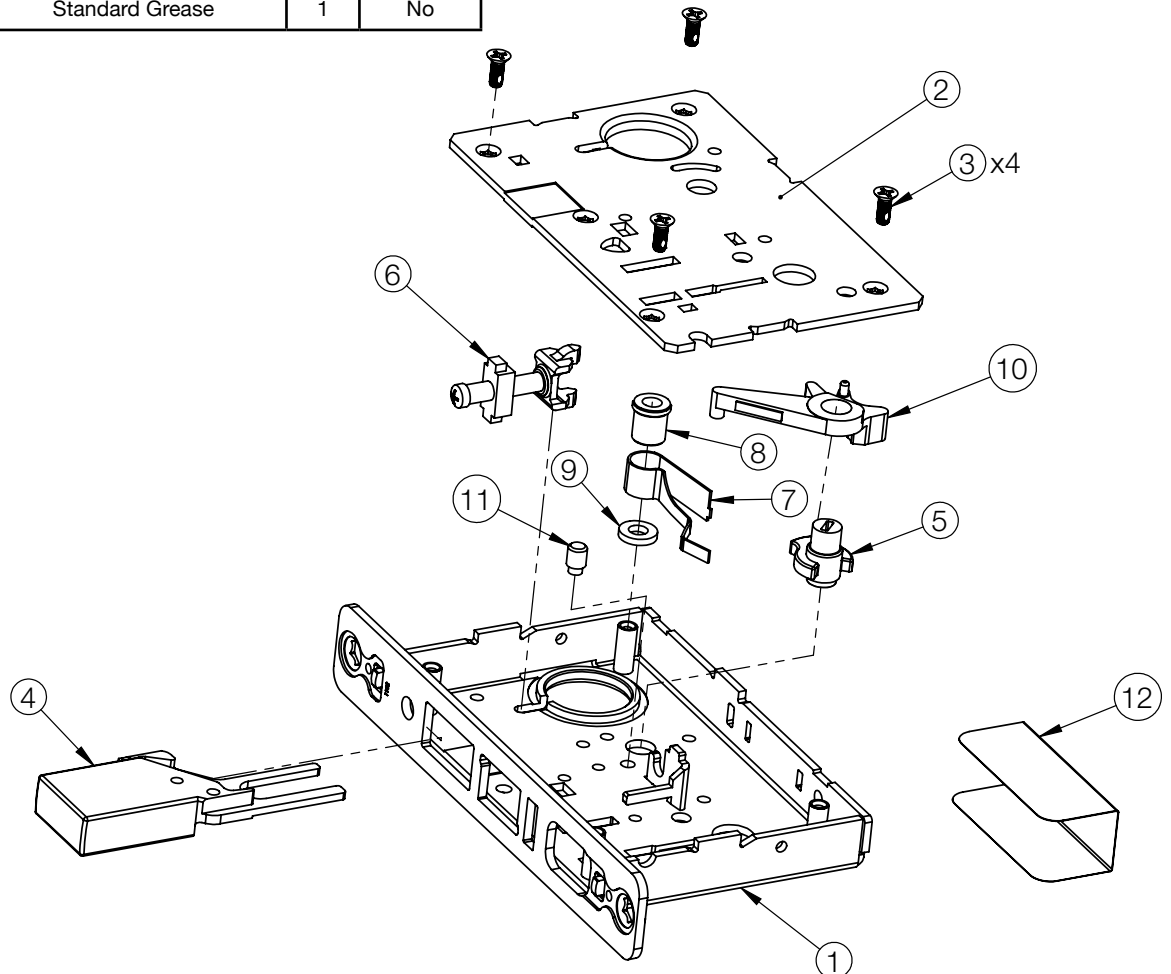
8203 - CLASSROOM DEADBOLT
8223 - DEADLOCK

SARGENT
ASSA ABLOY

Item no.	Part Number	Description	Qty.	Sellable
1	82-4175	Case Assembly (15,20,26 Functions)	1	No
2	82-0024	Cap	1	No
3	01-4402	Machine Screw (#8- 32 X 7/16")	4	Yes
4	82-1863	Deadbolt	1	Yes
5	82-0172	Hub Core (Classroom)	1	Yes
6	82-4172	Cylinder Retainer	1	Yes
7	82-0144	Spring (Deadbolt)	1	Yes
8	82-0171	Spacer (Classroom)	1	Yes
9	82-0170	Washer (Dead Bolt Spring)	1	Yes
10	82-0147	Dead Bolt Arm	1	Yes
11	82-0169	Post	1	Yes
12	82-0640	8200 Lock Body Label	1	No
13	01-0001	Standard Grease	1	No

Parts required for available options are listed starting on page 27.

(B)



Experience a safer
and more open world

The warranty on SARGENT® products becomes void if the product is modified in any way, regardless of whether the modification causes or contributes to any alleged defect. If a SARGENT product is modified it may no longer meet industry certification and quality control standards applicable to the original product and is no longer a genuine SARGENT product.

Copyright © 2016-2019, 2025 Sargent Manufacturing Company, an ASSA ABLOY Group company. All rights reserved. Reproduction in whole or in part without the express written permission of Sargent Manufacturing Company is prohibited.

A4741 09/25

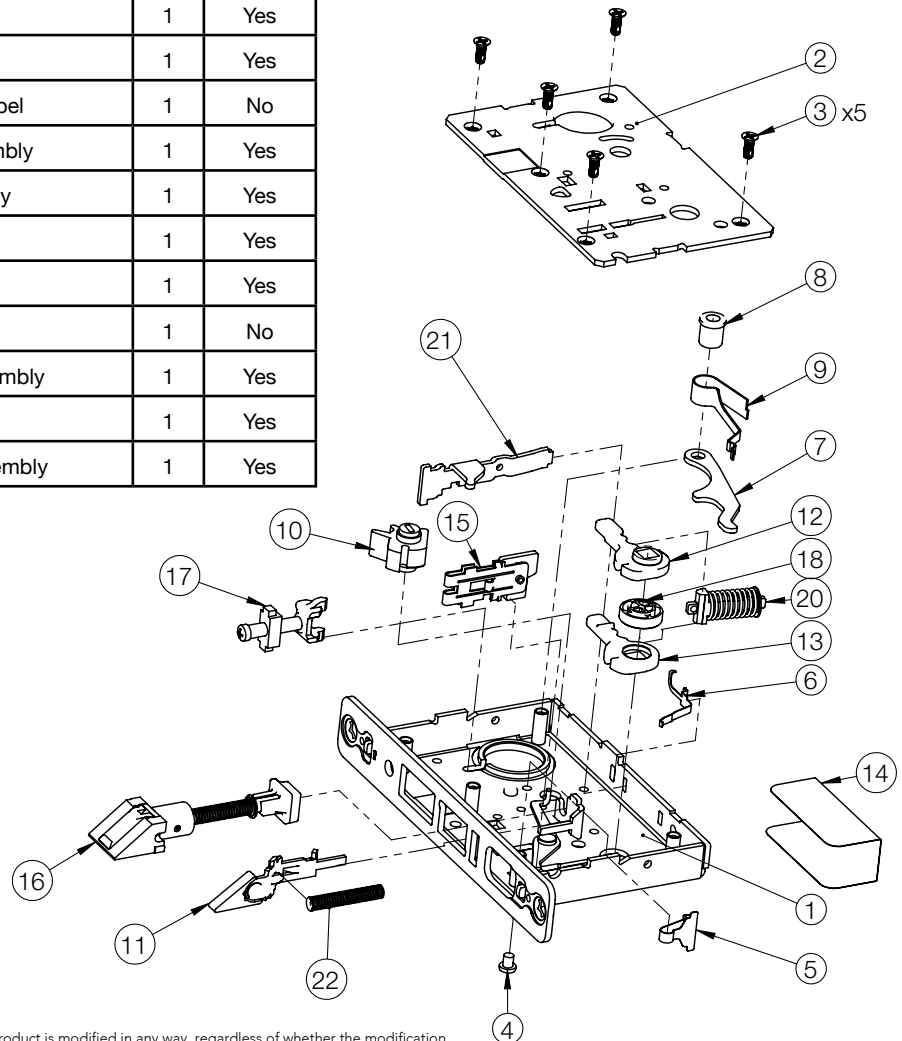
8204 - STOREROOM OR CLOSET LOCK
 8205 - ENTRY LOCK
 8206 - STOREROOM OR SERVICE LOCK
 8213 - EXIT OR COMMUNICATION
 LOCK

8231 - UTILITY LOCK
 8236 - CLOSET LOCK
 8237 - CLASSROOM LOCK
 8238 - CLASSROOM SECURITY-
 INTRUDER LATCH BOLT LOCK

SARGENT
ASSA ABLOY

Item no.	Part Number	Description	Qty.	Sellable
1	82-4174	Case Assembly (37 Multi- Function, Latch-bolt)	1	No
2	82-0024	Cap	1	No
3	01-4402	Machine Screw (#8-32 X 7/16")	5	Yes
4	01-9180	Catch Screw	1	Yes
5	82-0102	Toggle Spring	1	Yes
6	82-0138	Guard Lever Spring	1	Yes
7	82-0160	Cylinder Latch Lever (Classroom)	1	Yes
8	82-0171	Spacer (Classroom)	1	Yes
9	82-0161	Spring (Classroom)	1	Yes
10	82-0168	Control Hub	1	Yes
11	82-2029	Guard Bolt Assembly	1	Yes
12	82-0422	Cap Hub	1	Yes
13	82-0421	Case Hub	1	Yes
14	82-0640	8200 Lock Body Label	1	No
15	82-3092	Locking Piece Assembly	1	Yes
16	82-5263	Latchbolt Assembly	1	Yes
17	82-4172	Cylinder Retainer	1	Yes
18	82-0120	Spacer (Hub)	1	Yes
19	01-0001	Standard Grease	1	No
20	82-2004	Spring Cartridge Assembly	1	Yes
21	82-1665	Guard Lever	1	Yes
(B) 22	82-5434	Guardbolt Spring Assembly	1	Yes

Parts required for available options are listed starting on page 27.



A4741 09/25

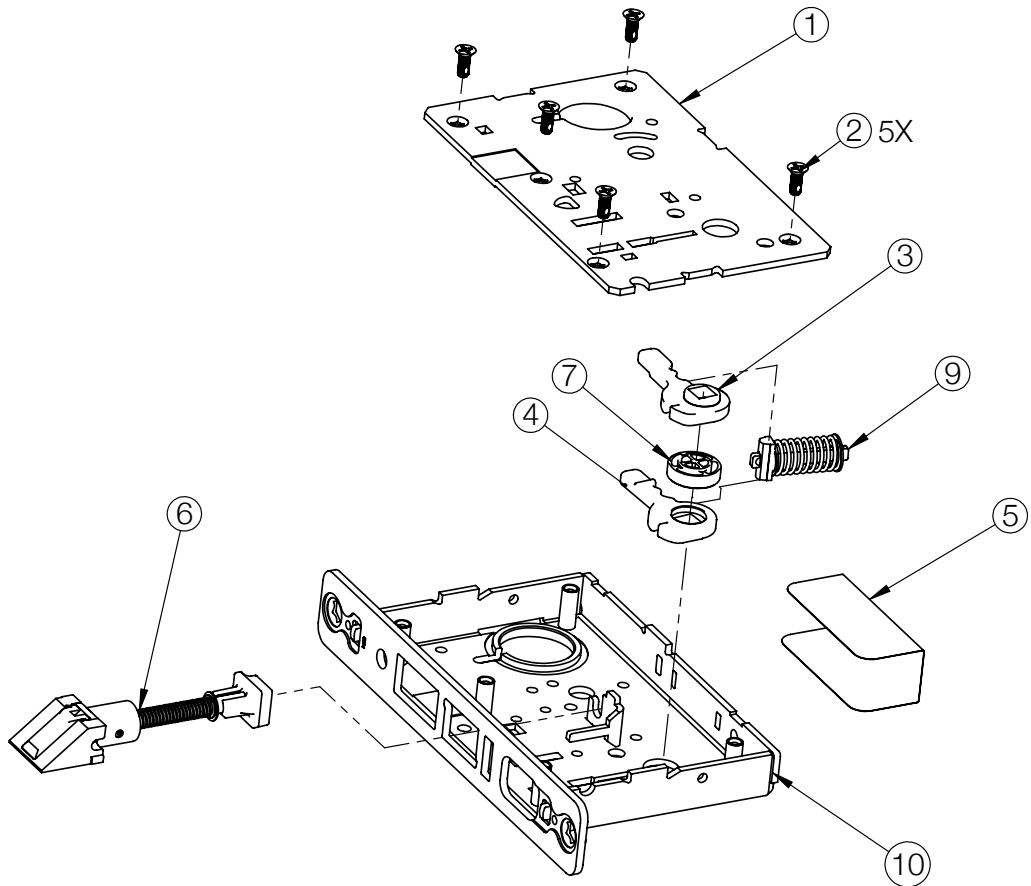
The warranty on SARGENT® products becomes void if the product is modified in any way, regardless of whether the modification causes or contributes to any alleged defect. If a SARGENT product is modified it may no longer meet industry certification and quality control standards applicable to the original product and is no longer a genuine SARGENT product.

Copyright © 2016-2019, 2025 Sargent Manufacturing Company, an ASSA ABLOY Group company. All rights reserved. Reproduction in whole or in part without the express written permission of Sargent Manufacturing Company is prohibited.

Experience a safer
 and more open world

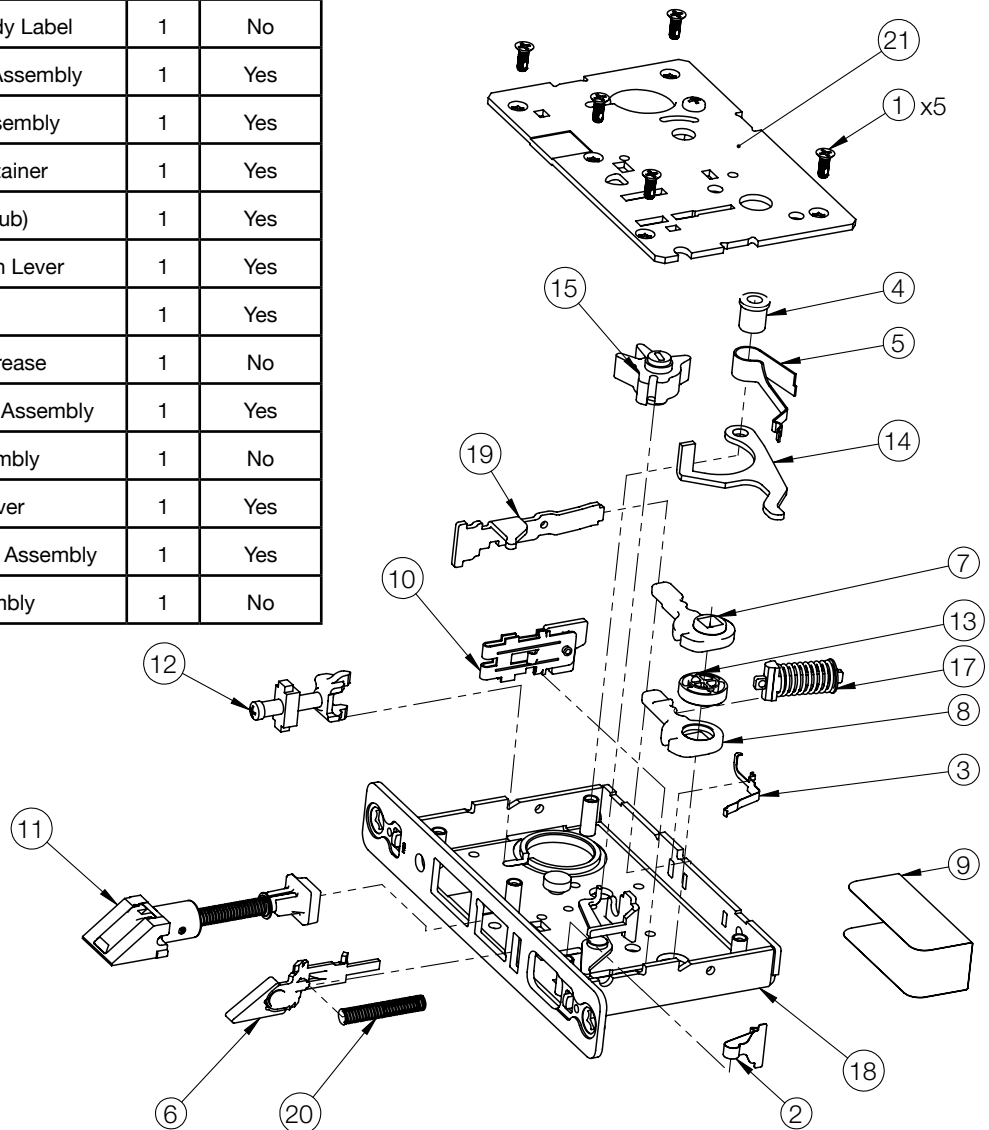
Item no.	Part Number	Description	Qty.	Sellable
1	82-0024	Cap	1	No
2	01-4402	Machine Screw (#8-32 X 7/16")	5	Yes
3	82-0422	Cap Hub	1	Yes
4	82-0421	Case Hub	1	Yes
5	82-0640	8200 Lock Body Label	1	No
6	82-5263	Latchbolt Assembly	1	Yes
7	82-0120	Spacer (Hub)	1	Yes
8	01-0001	Standard Grease	1	No
9	82-2004	Spring Cartridge Assembly	1	Yes
10	82-5276	Case Assembly	1	No

Parts required for available options are listed starting on page 27.



Item no.	Part Number	Description	Qty.	Sellable
1	01-4402	Machine Screw (#8-32 X 7/16")	5	Yes
2	82-0102	Toggle Spring	1	Yes
3	82-0138	Guard Lever Spring	1	Yes
4	82-0171	Spacer (Classroom)	1	Yes
5	82-0161	Spring (Classroom)	1	Yes
6	82-2029	Guard Bolt Assembly	1	Yes
7	82-0422	Cap Hub	1	Yes
8	82-0421	Case Hub	1	Yes
9	82-0640	8200 Lock Body Label	1	No
10	82-3092	Locking Piece Assembly	1	Yes
11	82-5263	Latchbolt Assembly	1	Yes
12	82-4172	Cylinder Retainer	1	Yes
13	82-0120	Spacer (Hub)	1	Yes
14	82-0139	Cylinder Latch Lever	1	Yes
15	82-0465	Hub	1	Yes
16	01-0001	Standard Grease	1	No
17	82-2004	Spring Cartridge Assembly	1	Yes
18	82-4535	Case Assembly	1	No
19	82-1665	Guard Lever	1	Yes
B 20	82-5434	Guardbolt Spring Assembly	1	Yes
21	82-2129	Cap Assembly	1	No

Parts required for available options are listed starting on page 27.



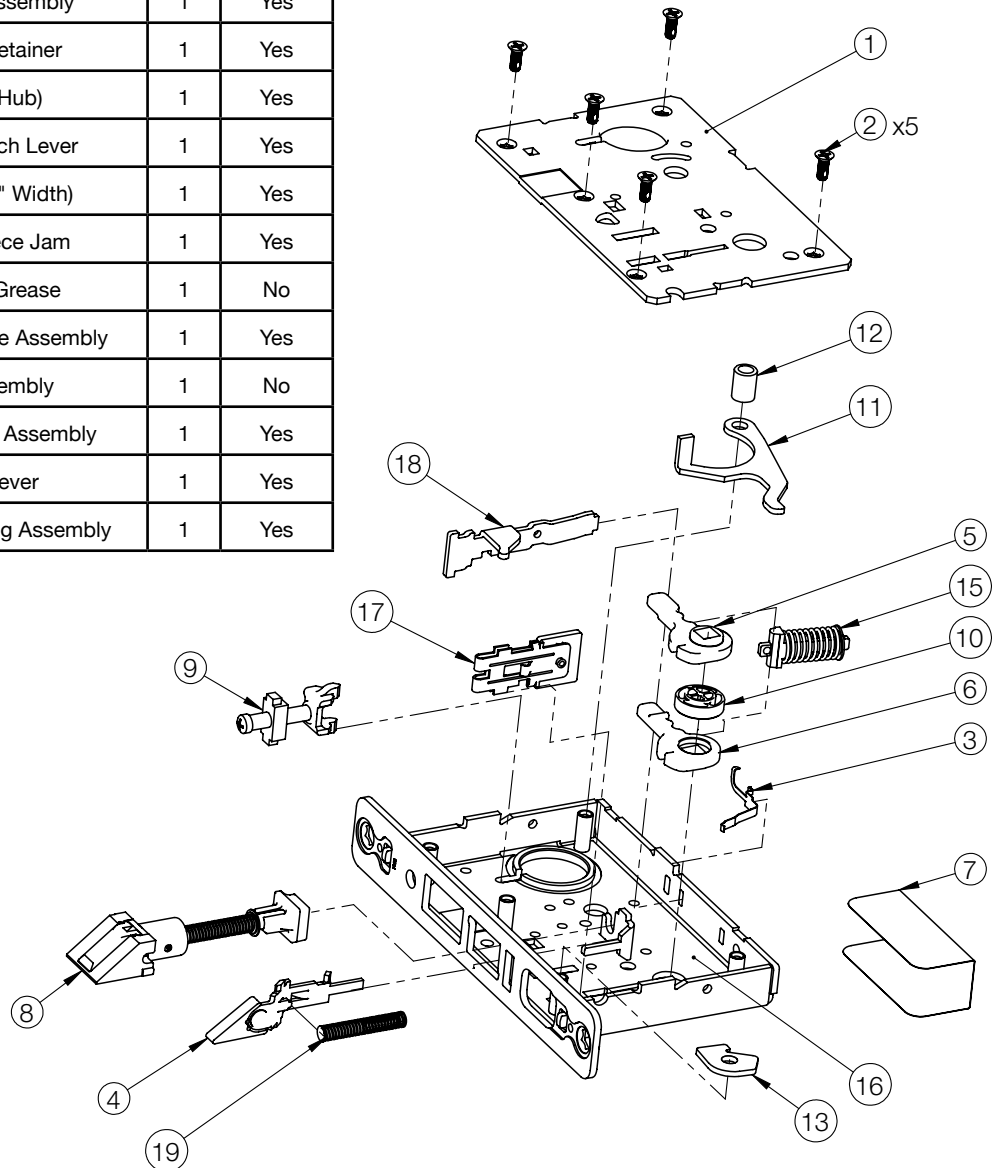
A4741 09/25

The warranty on SARGENT® products becomes void if the product is modified in any way, regardless of whether the modification causes or contributes to any alleged defect. If a SARGENT product is modified it may no longer meet industry certification and quality control standards applicable to the original product and is no longer a genuine SARGENT product.

Copyright © 2016-2019, 2025 Sargent Manufacturing Company, an ASSA ABLOY Group company. All rights reserved. Reproduction in whole or in part without the express written permission of Sargent Manufacturing Company is prohibited.

Item no.	Part Number	Description	Qty.	Sellable
1	82-0024	Cap	1	No
2	01-4402	Machine Screw (#8-32 X 7/16")	5	Yes
3	82-0138	Guard Lever Spring	1	Yes
4	82-2029	Guard Bolt Assembly	1	Yes
5	82-0422	Cap Hub	1	Yes
6	82-0421	Case Hub	1	Yes
7	82-0640	8200 Lock Body Label	1	No
8	82-5263	Latchbolt Assembly	1	Yes
9	82-4172	Cylinder Retainer	1	Yes
10	82-0120	Spacer (Hub)	1	Yes
11	82-0139	Cylinder Latch Lever	1	Yes
12	82-0127	Spacer (1/2" Width)	1	Yes
13	82-0211	Locking Piece Jam	1	Yes
14	01-0001	Standard Grease	1	No
15	82-2004	Spring Cartridge Assembly	1	Yes
16	82-5276	Case Assembly	1	No
17	82-3093	Locking Piece Assembly	1	Yes
18	82-1665	Guard Lever	1	Yes
(B) 19	82-5434	Guardbolt Spring Assembly	1	Yes

Parts required for available options are listed starting on page 27.



Experience a safer
and more open world

The warranty on SARGENT® products becomes void if the product is modified in any way, regardless of whether the modification causes or contributes to any alleged defect. If a SARGENT product is modified it may no longer meet industry certification and quality control standards applicable to the original product and is no longer a genuine SARGENT product.

Copyright © 2016-2019, 2025 Sargent Manufacturing Company, an ASSA ABLOY Group company. All rights reserved. Reproduction in whole or in part without the express written permission of Sargent Manufacturing Company is prohibited.

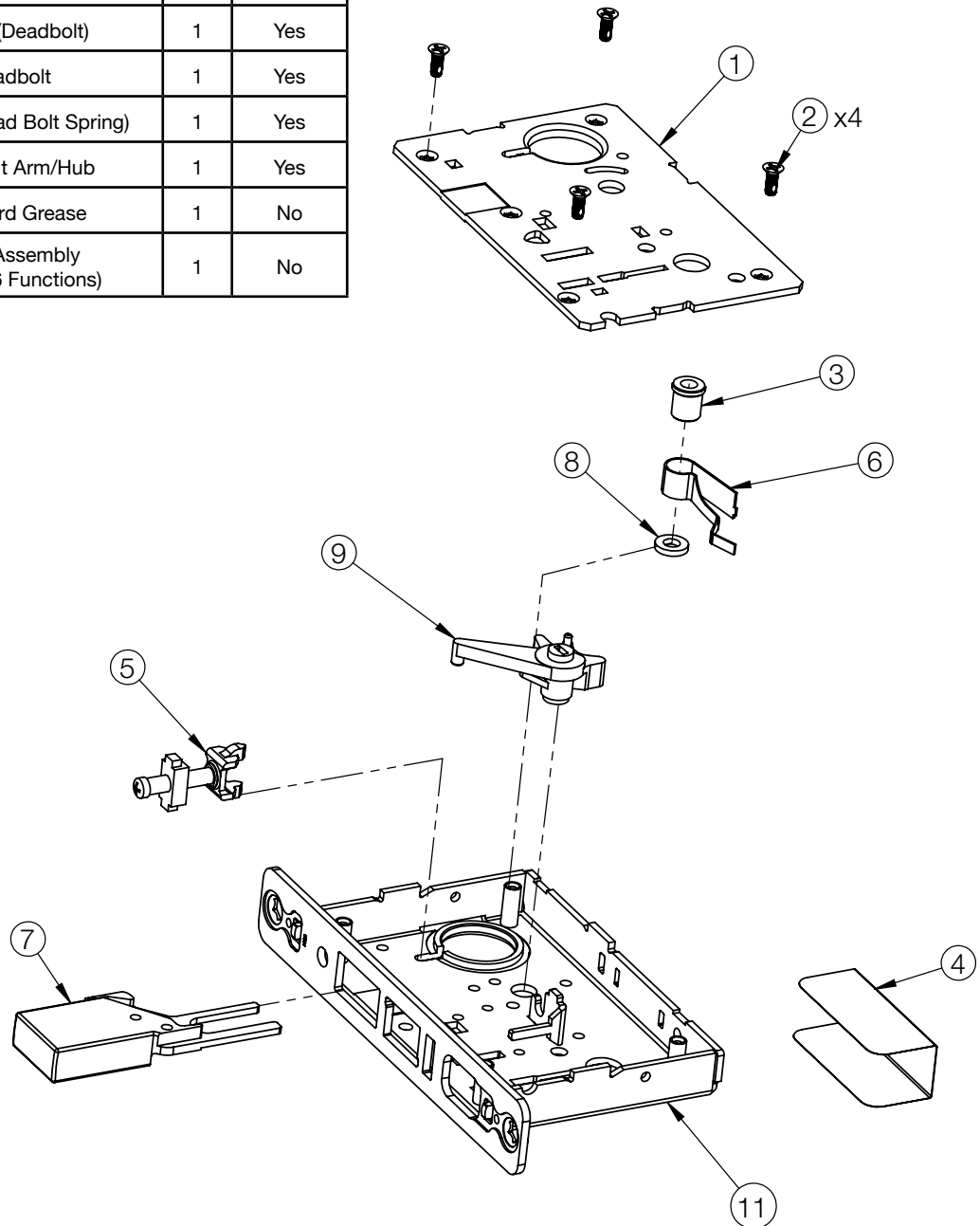
8220 - DEADLOCK
 8221 - DEADLOCK
 8222 - DEADLOCK

SARGENT
ASSA ABLOY

Item no.	Part Number	Description	Qty.	Sellable
1	82-0024	Cap	1	No
2	01-4402	Machine Screw (#8-32 X 7/16")	4	Yes
3	82-0171	Spacer (Classroom)	1	Yes
4	82-0640	8200 Lock Body Label	1	No
5	82-4172	Cylinder Retainer	1	Yes
6	82-0144	Spring (Deadbolt)	1	Yes
7	82-1863	Deadbolt	1	Yes
8	82-0170	Washer (Dead Bolt Spring)	1	Yes
9	82-0674	Deadbolt Arm/Hub	1	Yes
10	01-0001	Standard Grease	1	No
11	82-4175	Case Assembly (15,20,26 Functions)	1	No

Parts required for available options are listed starting on page 27.

(B)



A4741 09/25

The warranty on SARGENT® products becomes void if the product is modified in any way, regardless of whether the modification causes or contributes to any alleged defect. If a SARGENT product is modified it may no longer meet industry certification and quality control standards applicable to the original product and is no longer a genuine SARGENT product.

Copyright © 2016-2019, 2025 Sargent Manufacturing Company, an ASSA ABLOY Group company. All rights reserved. Reproduction in whole or in part without the express written permission of Sargent Manufacturing Company is prohibited.

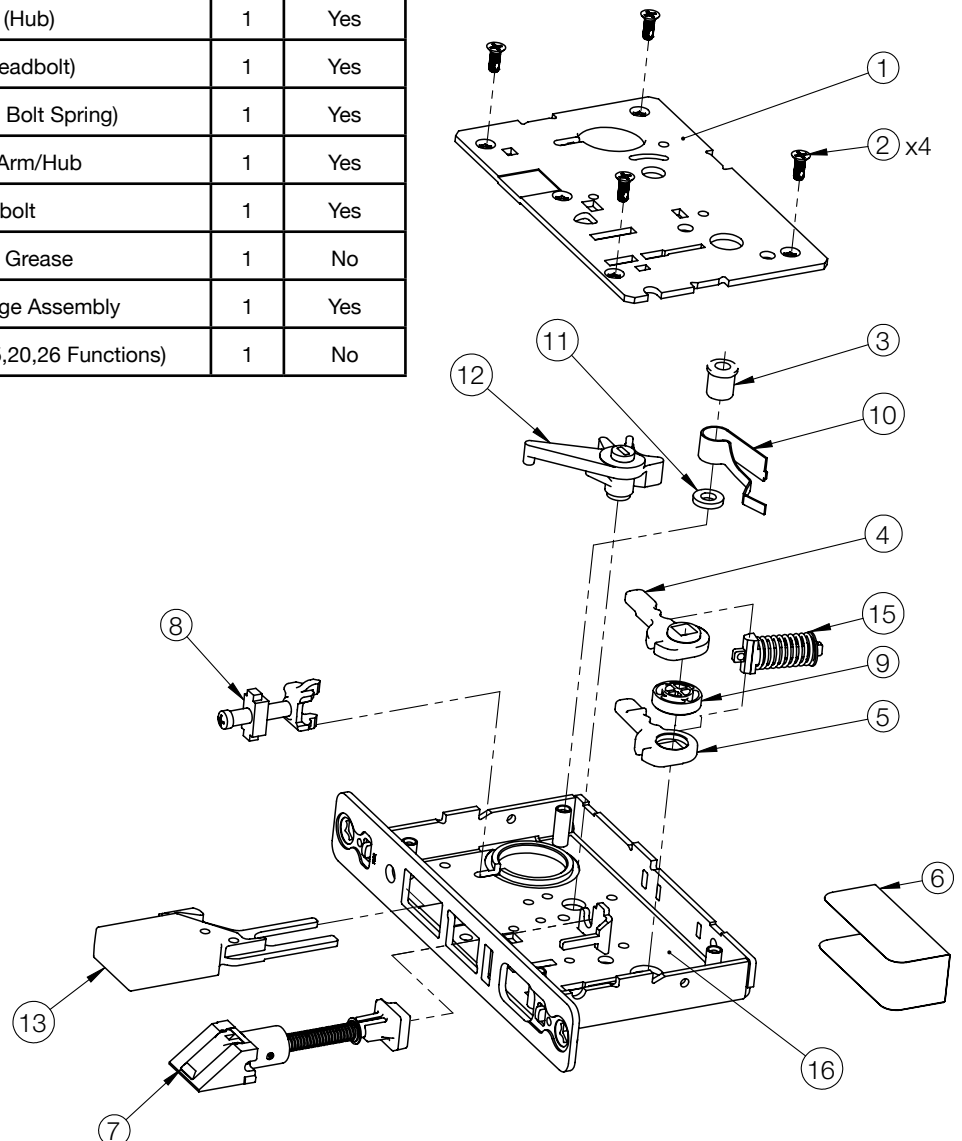
Experience a safer
 and more open world

8224 - ROOM DOOR LOCK
 8226 - STORE DOOR LOCK
 8227 - STOREROOM OR CLOSET LOCK
 8268 - PRIVACY, BEDROOM OR BATHROOM LOCK

Item no.	Part Number	Description	Qty.	Sellable
1	82-0024	Cap	1	No
2	01-4402	Machine Screw (#8-32 X 7/16")	4	Yes
3	82-0171	Spacer (Classroom)	1	Yes
4	82-0422	Cap Hub	1	Yes
5	82-0421	Case Hub	1	Yes
6	82-0640	8200 Lock Body Label	1	No
7	82-5263	Latchbolt Assembly	1	Yes
8	82-4172	Cylinder Retainer	1	Yes
9	82-0120	Spacer (Hub)	1	Yes
10	82-0144	Spring (Deadbolt)	1	Yes
11	82-0170	Washer (Dead Bolt Spring)	1	Yes
12	82-0674	Deadbolt Arm/Hub	1	Yes
13	82-1822	Deadbolt	1	Yes
14	01-0001	Standard Grease	1	No
15	82-2004	Spring Cartridge Assembly	1	Yes
16	82-4175	Case Assembly (15,20,26 Functions)	1	No

Parts required for available options are listed starting on page 27.

(B)



Experience a safer
 and more open world

The warranty on SARGENT® products becomes void if the product is modified in any way, regardless of whether the modification causes or contributes to any alleged defect. If a SARGENT product is modified it may no longer meet industry certification and quality control standards applicable to the original product and is no longer a genuine SARGENT product.

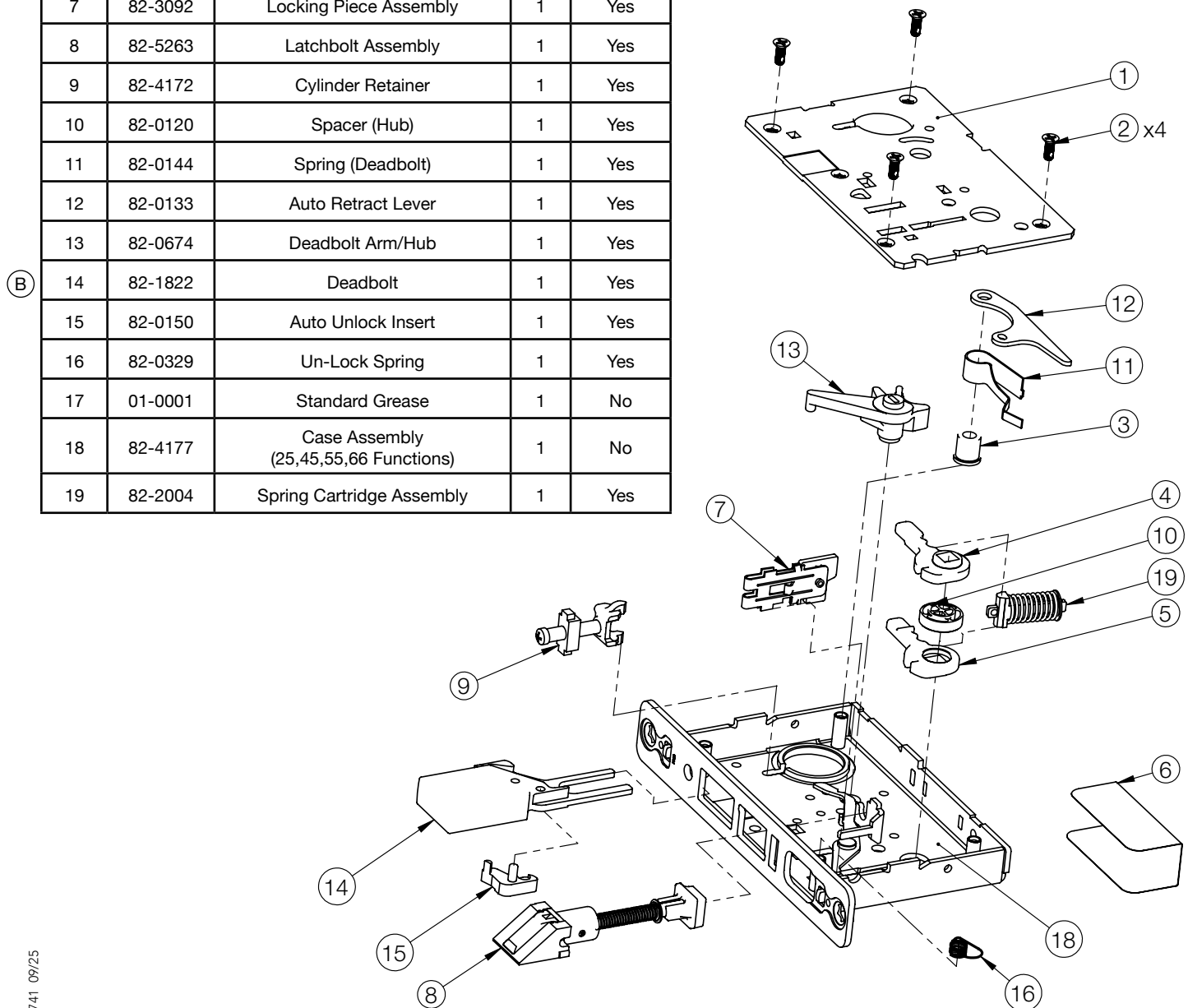
Copyright © 2016-2019, 2025 Sargent Manufacturing Company, an ASSA ABLOY Group company. All rights reserved. Reproduction in whole or in part without the express written permission of Sargent Manufacturing Company is prohibited.

8225 - DORMITORY OR EXIT LOCK
 8235 - STOREROOM LOCK
 8239 - CLASSROOM SECURITY-INTRUDER DEADBOLT LOCK
 8266 - PRIVACY, BEDROOM OR BATHROOM LOCK

SARGENT
ASSA ABLOY

Item no.	Part Number	Description	Qty.	Sellable
1	82-0024	Cap	1	No
2	01-4402	Machine Screw (#8-32 X 7/16")	4	Yes
3	82-0171	Spacer (Classroom)	1	Yes
4	82-0422	Cap Hub	1	Yes
5	82-0421	Case Hub	1	Yes
6	82-0640	8200 Lock Body Label	1	No
7	82-3092	Locking Piece Assembly	1	Yes
8	82-5263	Latchbolt Assembly	1	Yes
9	82-4172	Cylinder Retainer	1	Yes
10	82-0120	Spacer (Hub)	1	Yes
11	82-0144	Spring (Deadbolt)	1	Yes
12	82-0133	Auto Retract Lever	1	Yes
13	82-0674	Deadbolt Arm/Hub	1	Yes
(B) 14	82-1822	Deadbolt	1	Yes
15	82-0150	Auto Unlock Insert	1	Yes
16	82-0329	Un-Lock Spring	1	Yes
17	01-0001	Standard Grease	1	No
18	82-4177	Case Assembly (25,45,55,66 Functions)	1	No
19	82-2004	Spring Cartridge Assembly	1	Yes

Parts required for available options are listed starting on page 27.



A4741 09/25

The warranty on SARGENT® products becomes void if the product is modified in any way, regardless of whether the modification causes or contributes to any alleged defect. If a SARGENT product is modified it may no longer meet industry certification and quality control standards applicable to the original product and is no longer a genuine SARGENT product.

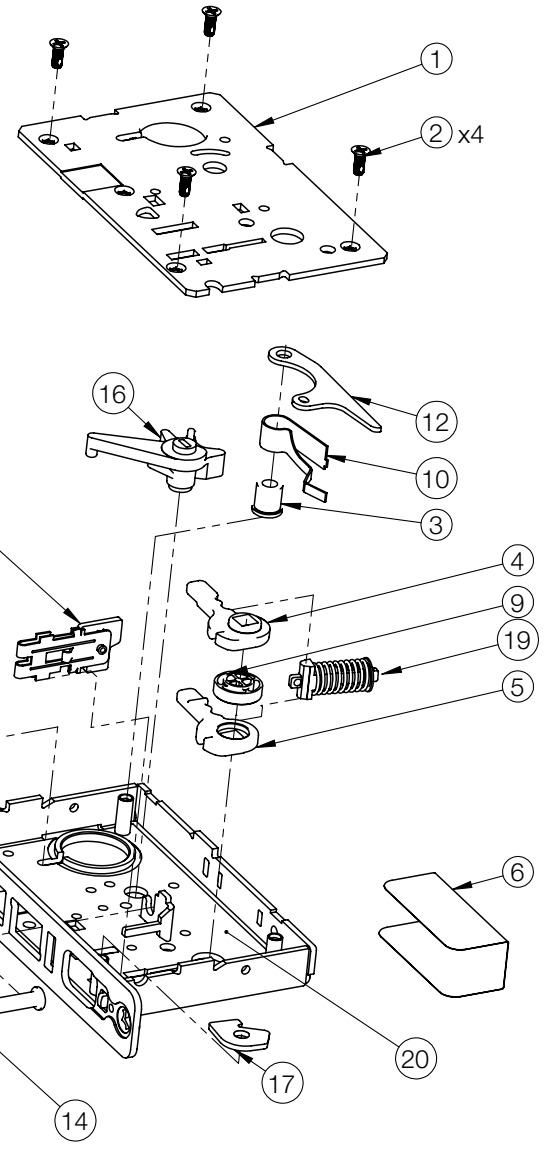
Copyright © 2016-2019, 2025 Sargent Manufacturing Company, an ASSA ABLOY Group company. All rights reserved. Reproduction in whole or in part without the express written permission of Sargent Manufacturing Company is prohibited.

Experience a safer
and more open world

8228 - DUMMY TRIM DEADLOCK
 8229 - DUMMY TRIM DEADLOCK
 8230 - DUMMY TRIM DEADLOCK

Item no.	Part Number	Description	Qty.	Sellable
1	82-0024	Cap	1	No
2	01-4402	Machine Screw (#8-32 X 7/16")	4	Yes
3	82-0171	Spacer (Classroom)	1	Yes
4	82-0422	Cap Hub	1	Yes
5	82-0421	Case Hub	1	Yes
6	82-0640	8200 Lock Body Label	1	No
7	82-3092	Locking Piece Assembly	1	Yes
8	82-4172	Cylinder Retainer	1	Yes
9	82-0120	Spacer (Hub)	1	Yes
10	82-0144	Spring (Deadbolt)	1	Yes
(B) 11	82-1822	Deadbolt	1	Yes
12	82-0133	Auto Retract Lever	1	Yes
13	82-0244	Guided Latchbolt Tail	1	Yes
14	82-0617	Latchbolt Rod	1	Yes
15	82-0632	Rod Support	1	Yes
16	82-0674	Deadbolt Arm/Hub	1	Yes
17	82-0211	Locking Piece Jam	1	Yes
18	01-0001	Standard Grease	1	No
19	82-2004	Spring Cartridge Assembly	1	Yes
20	82-4175	Case Assembly (15,20,26 Functions)	1	No

Parts required for available options are listed starting on page 27.



Experience a safer
 and more open world

The warranty on SARGENT® products becomes void if the product is modified in any way, regardless of whether the modification causes or contributes to any alleged defect. If a SARGENT product is modified it may no longer meet industry certification and quality control standards applicable to the original product and is no longer a genuine SARGENT product.

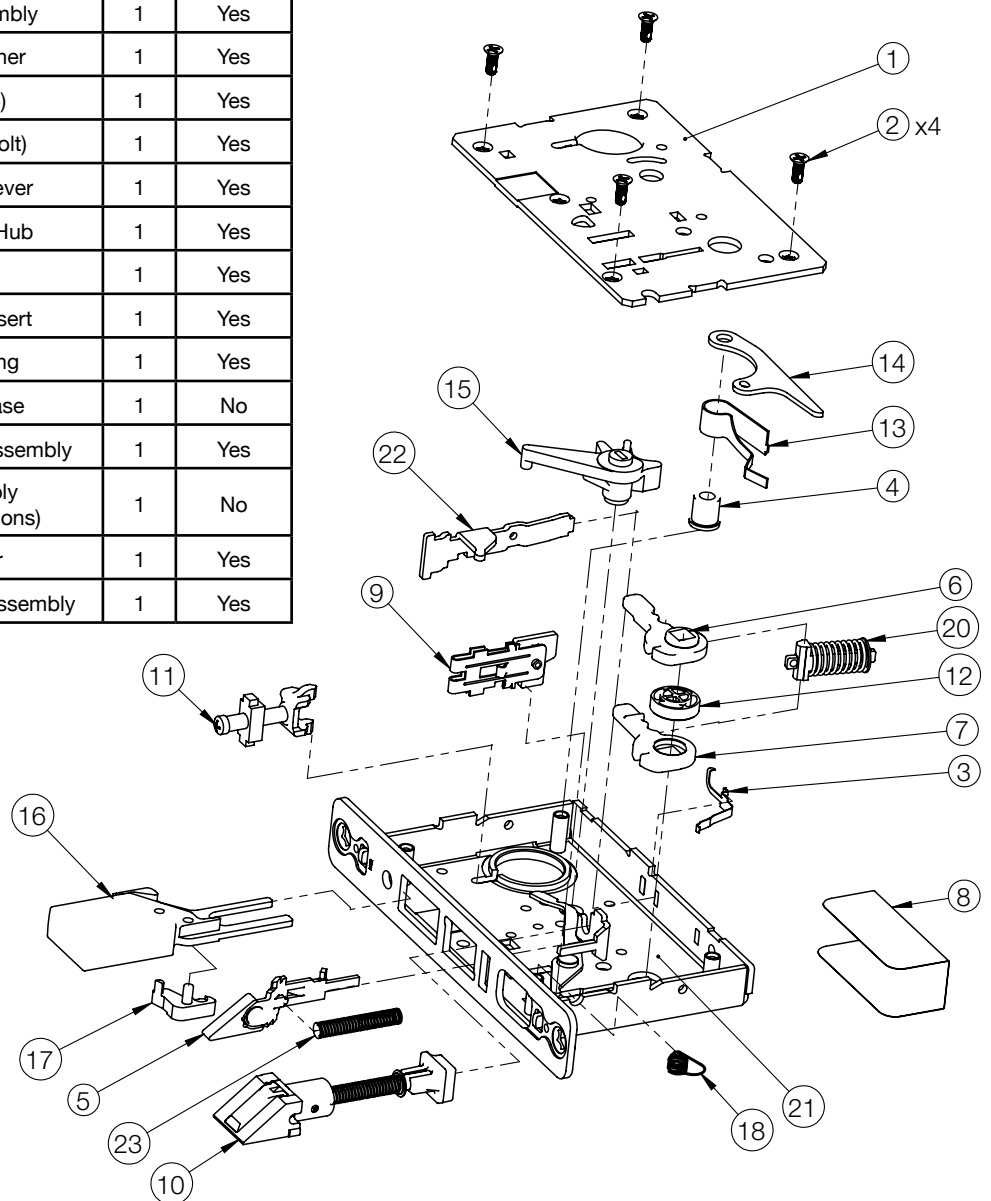
Copyright © 2016-2019, 2025 Sargent Manufacturing Company, an ASSA ABLOY Group company. All rights reserved. Reproduction in whole or in part without the express written permission of Sargent Manufacturing Company is prohibited.

Item no.	Part Number	Description	Qty.	Sellable
1	82-0024	Cap	1	No
2	01-4402	Machine Screw (#8-32 X 7/16")	4	Yes
3	82-0138	Guard Lever Spring	1	Yes
4	82-0171	Spacer (Classroom)	1	Yes
5	82-2029	Guard Bolt Assembly	1	Yes
6	82-0422	Cap Hub	1	Yes
7	82-0421	Case Hub	1	Yes
8	82-0640	8200 Lock Body Label	1	No
9	82-3092	Locking Piece Assembly	1	Yes
10	82-5263	Latchbolt Assembly	1	Yes
11	82-4172	Cylinder Retainer	1	Yes
12	82-0120	Spacer (Hub)	1	Yes
13	82-0144	Spring (Deadbolt)	1	Yes
14	82-0133	Auto Retract Lever	1	Yes
15	82-0674	Deadbolt Arm/Hub	1	Yes
(B) 16	82-1822	Deadbolt	1	Yes
17	82-0150	Auto Unlock Insert	1	Yes
18	82-0329	Un-Lock Spring	1	Yes
19	01-0001	Standard Grease	1	No
20	82-2004	Spring Cartridge Assembly	1	Yes
21	82-4178	Case Assembly (40,41,56 Functions)	1	No
22	82-1665	Guard Lever	1	Yes
(B) 23	82-5434	Guardbolt Spring Assembly	1	Yes

Parts required for available options are listed starting on page 27.

(B)

(B)



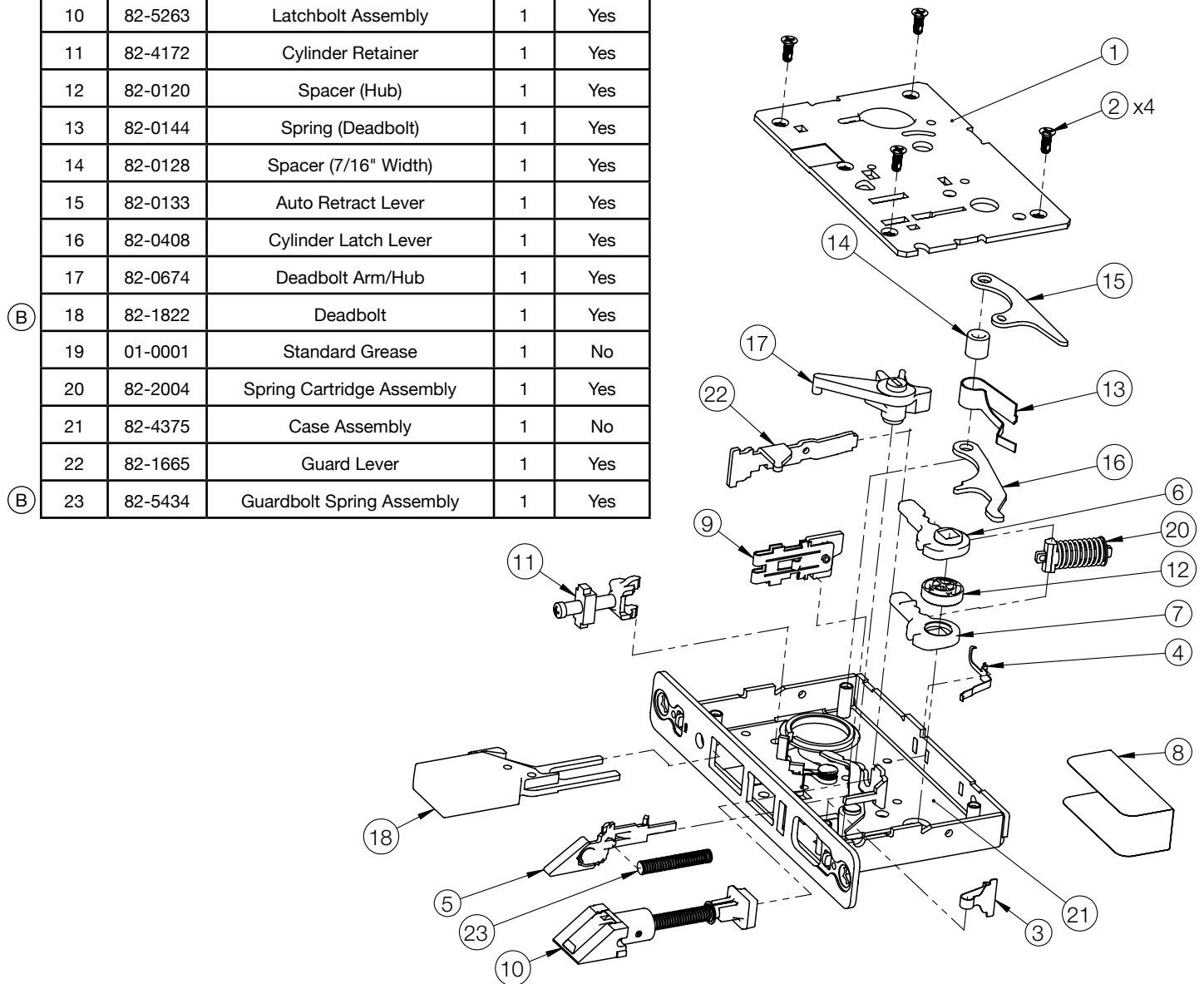
A4741 09/25

The warranty on SARGENT® products becomes void if the product is modified in any way, regardless of whether the modification causes or contributes to any alleged defect. If a SARGENT product is modified it may no longer meet industry certification and quality control standards applicable to the original product and is no longer a genuine SARGENT product.

Copyright © 2016-2019, 2025 Sargent Manufacturing Company, an ASSA ABLOY Group company. All rights reserved. Reproduction in whole or in part without the express written permission of Sargent Manufacturing Company is prohibited.

Item no.	Part Number	Description	Qty.	Sellable
1	82-0024	Cap	1	No
2	01-4402	Machine Screw (#8-32 X 7/16")	4	Yes
3	82-0102	Toggle Spring	1	Yes
4	82-0138	Guard Lever Spring	1	Yes
5	82-2029	Guard Bolt Assembly	1	Yes
6	82-0422	Cap Hub	1	Yes
7	82-0421	Case Hub	1	Yes
8	82-0640	8200 Lock Body Label	1	No
9	82-3092	Locking Piece Assembly	1	Yes
10	82-5263	Latchbolt Assembly	1	Yes
11	82-4172	Cylinder Retainer	1	Yes
12	82-0120	Spacer (Hub)	1	Yes
13	82-0144	Spring (Deadbolt)	1	Yes
14	82-0128	Spacer (7/16" Width)	1	Yes
15	82-0133	Auto Retract Lever	1	Yes
16	82-0408	Cylinder Latch Lever	1	Yes
17	82-0674	Deadbolt Arm/Hub	1	Yes
(B) 18	82-1822	Deadbolt	1	Yes
19	01-0001	Standard Grease	1	No
20	82-2004	Spring Cartridge Assembly	1	Yes
21	82-4375	Case Assembly	1	No
22	82-1665	Guard Lever	1	Yes
(B) 23	82-5434	Guardbolt Spring Assembly	1	Yes

Parts required for available options are listed starting on page 27.



Experience a safer
and more open world

The warranty on SARGENT® products becomes void if the product is modified in any way, regardless of whether the modification causes or contributes to any alleged defect. If a SARGENT product is modified it may no longer meet industry certification and quality control standards applicable to the original product and is no longer a genuine SARGENT product.

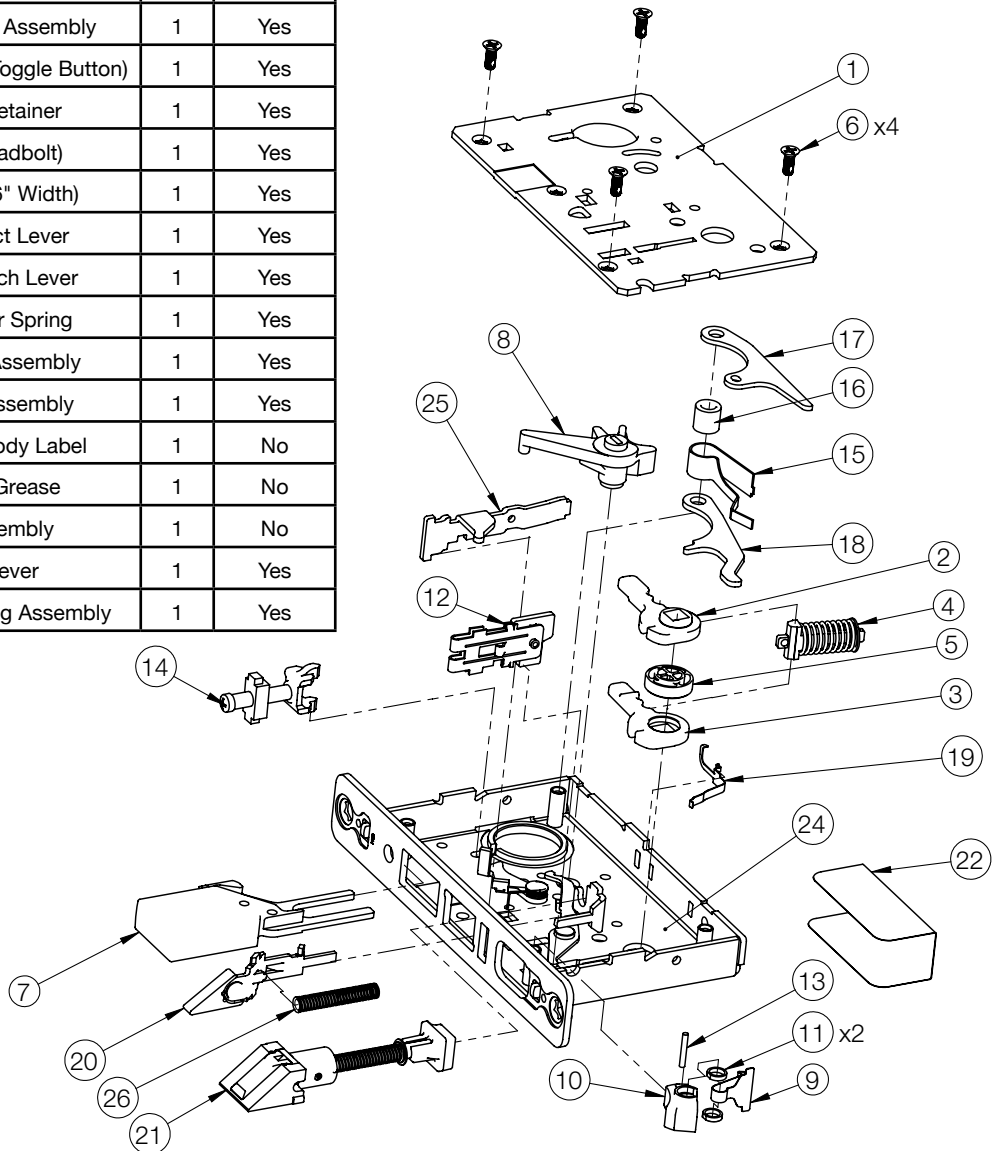
Copyright © 2016-2019, 2025 Sargent Manufacturing Company, an ASSA ABLOY Group company. All rights reserved. Reproduction in whole or in part without the express written permission of Sargent Manufacturing Company is prohibited.

Item no.	Part Number	Description	Qty.	Sellable
1	82-0024	Cap	1	No
2	82-0422	Cap Hub	1	Yes
3	82-0421	Case Hub	1	Yes
4	82-2004	Spring Cartridge Assembly	1	Yes
5	82-0120	Spacer (Hub)	1	Yes
6	01-4402	Machine Screw (#8-32 X 7/16")	4	Yes
(B) 7	82-1822	Deadbolt	1	Yes
8	82-0674	Deadbolt Arm/Hub	1	Yes
9	82-0102	Toggle Spring	1	Yes
10	82-0101	Toggle Button	1	Yes
11	82-0212	Toggle Washer	2	Yes
12	82-3092	Locking Piece Assembly	1	Yes
13	82-0125	Connecting Pin (Toggle Button)	1	Yes
14	82-4172	Cylinder Retainer	1	Yes
15	82-0144	Spring (Deadbolt)	1	Yes
16	82-0128	Spacer (7/16" Width)	1	Yes
17	82-0133	Auto Retract Lever	1	Yes
18	82-0408	Cylinder Latch Lever	1	Yes
19	82-0138	Guard Lever Spring	1	Yes
20	82-2029	Guard Bolt Assembly	1	Yes
21	82-5263	Latchbolt Assembly	1	Yes
22	82-0640	8200 Lock Body Label	1	No
23	01-0001	Standard Grease	1	No
24	82-4441	Case Assembly	1	No
25	82-1665	Guard Lever	1	Yes
(B) 26	82-5434	Guardbolt Spring Assembly	1	Yes

Parts required for available options are listed starting on page 27.

(B)

(B)



A4741 09/25

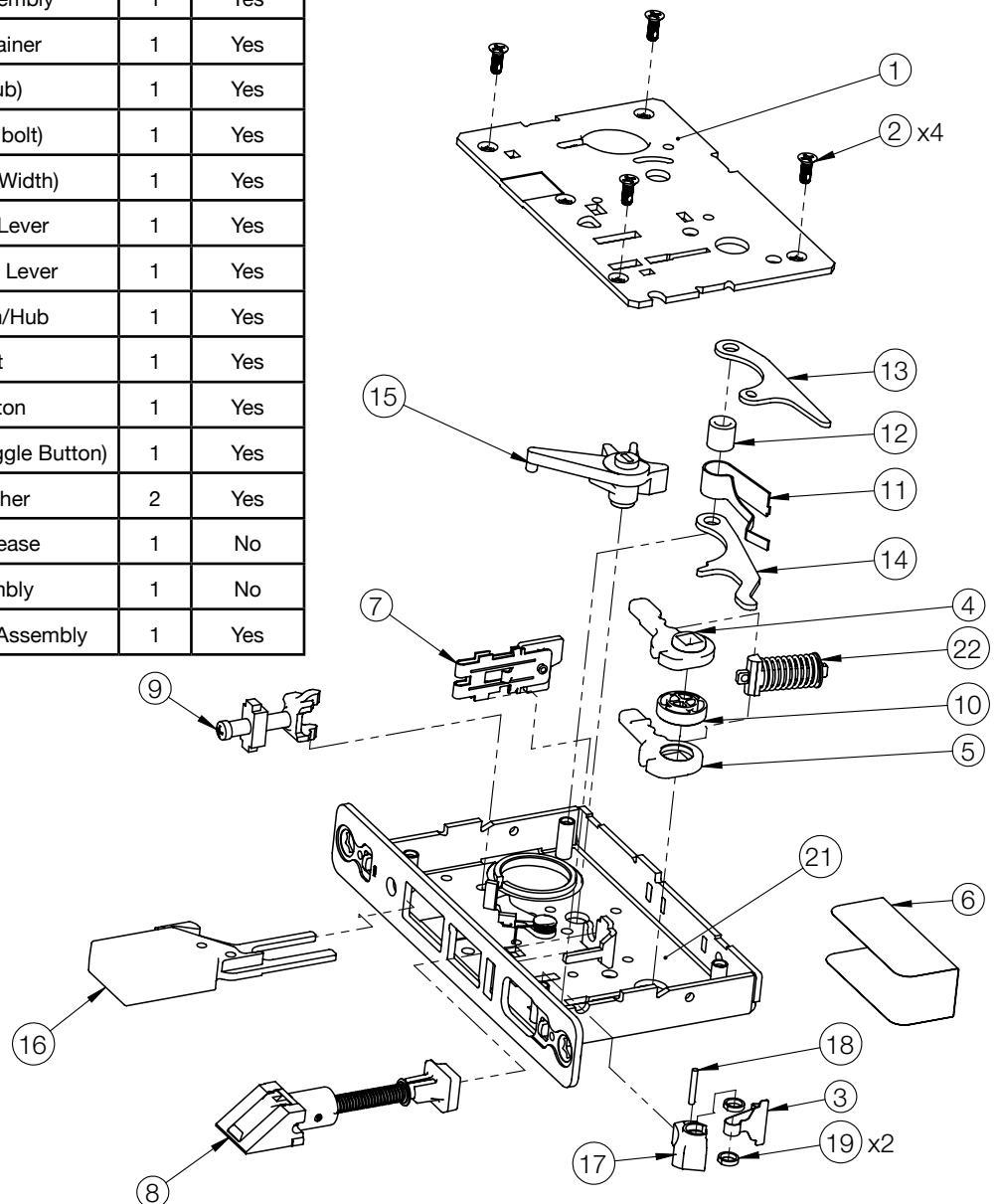
The warranty on SARGENT® products becomes void if the product is modified in any way, regardless of whether the modification causes or contributes to any alleged defect. If a SARGENT product is modified it may no longer meet industry certification and quality control standards applicable to the original product and is no longer a genuine SARGENT product.

Copyright © 2016-2019, 2025 Sargent Manufacturing Company, an ASSA ABLOY Group company. All rights reserved. Reproduction in whole or in part without the express written permission of Sargent Manufacturing Company is prohibited.

8245 - DORMITORY OR EXIT LOCK
 8246 - DORMITORY OR EXIT LOCK

Item no.	Part Number	Description	Qty.	Sellable
1	82-0024	Cap	1	No
2	01-4402	Machine Screw (#8-32 X 7/16")	4	Yes
3	82-0102	Toggle Spring	1	Yes
4	82-0422	Cap Hub	1	Yes
5	82-0421	Case Hub	1	Yes
6	82-0640	8200 Lock Body Label	1	No
7	82-3092	Locking Piece Assembly	1	Yes
8	82-5263	Latchbolt Assembly	1	Yes
9	82-4172	Cylinder Retainer	1	Yes
10	82-0120	Spacer (Hub)	1	Yes
11	82-0144	Spring (Deadbolt)	1	Yes
12	82-0128	Spacer (7/16" Width)	1	Yes
13	82-0133	Auto Retract Lever	1	Yes
14	82-0408	Cylinder Latch Lever	1	Yes
15	82-0674	Deadbolt Arm/Hub	1	Yes
(B) 16	82-1822	Deadbolt	1	Yes
17	82-0101	Toggle Button	1	Yes
18	82-0125	Connecting Pin (Toggle Button)	1	Yes
19	82-0212	Toggle Washer	2	Yes
20	01-0001	Standard Grease	1	No
21	82-4441	Case Assembly	1	No
22	82-2004	Spring Cartridge Assembly	1	Yes

Parts required for available options are listed starting on page 27.



Experience a safer
 and more open world

The warranty on SARGENT® products becomes void if the product is modified in any way, regardless of whether the modification causes or contributes to any alleged defect. If a SARGENT product is modified it may no longer meet industry certification and quality control standards applicable to the original product and is no longer a genuine SARGENT product.

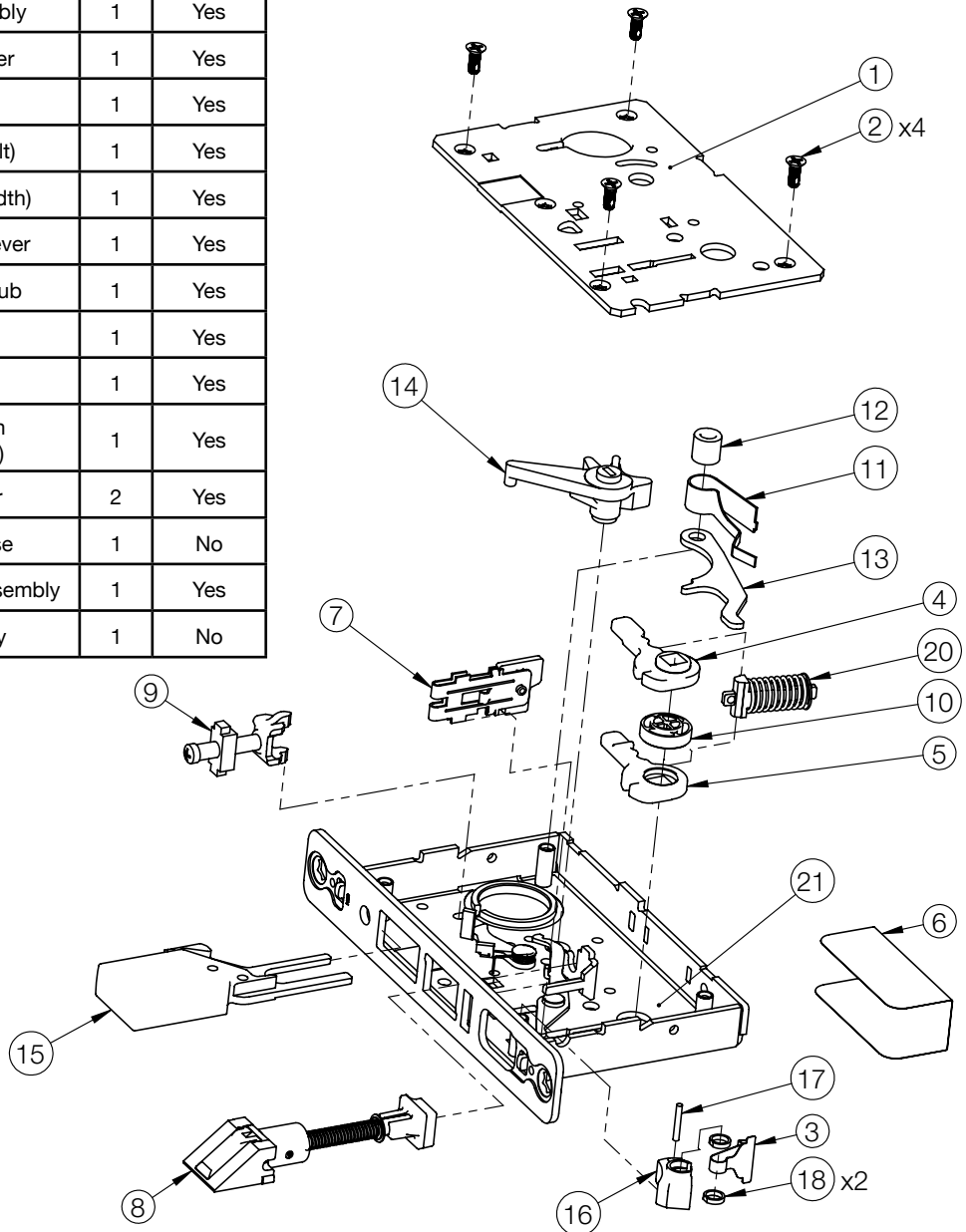
Copyright © 2016-2019, 2025 Sargent Manufacturing Company, an ASSA ABLOY Group company. All rights reserved. Reproduction in whole or in part without the express written permission of Sargent Manufacturing Company is prohibited.

8247 - FRONT DOOR LOCK OR APARTMENT CORRIDOR DOOR LOCK
 8248 - STORE DOOR LOCK

SARGENT
ASSA ABLOY

Item no.	Part Number	Description	Qty.	Sellable
1	82-0024	Cap	1	No
2	01-4402	Machine Screw (#8-32 X 7/16")	4	Yes
3	82-0102	Toggle Spring	1	Yes
4	82-0422	Cap Hub	1	Yes
5	82-0421	Case Hub	1	Yes
6	82-0640	8200 Lock Body Label	1	No
7	82-3092	Locking Piece Assembly	1	Yes
8	82-5263	Latchbolt Assembly	1	Yes
9	82-4172	Cylinder Retainer	1	Yes
10	82-0120	Spacer (Hub)	1	Yes
11	82-0144	Spring (Deadbolt)	1	Yes
12	82-0128	Spacer (7/16" Width)	1	Yes
13	82-0408	Cylinder Latch Lever	1	Yes
14	82-0674	Deadbolt Arm/Hub	1	Yes
(B) 15	82-1822	Deadbolt	1	Yes
16	82-0101	Toggle Button	1	Yes
17	82-0125	Connecting Pin (Toggle Button)	1	Yes
18	82-0212	Toggle Washer	2	Yes
19	01-0001	Standard Grease	1	No
20	82-2004	Spring Cartridge Assembly	1	Yes
21	82-4441	Case Assembly	1	No

Parts required for available options are listed starting on page 27.



A4741 09/25

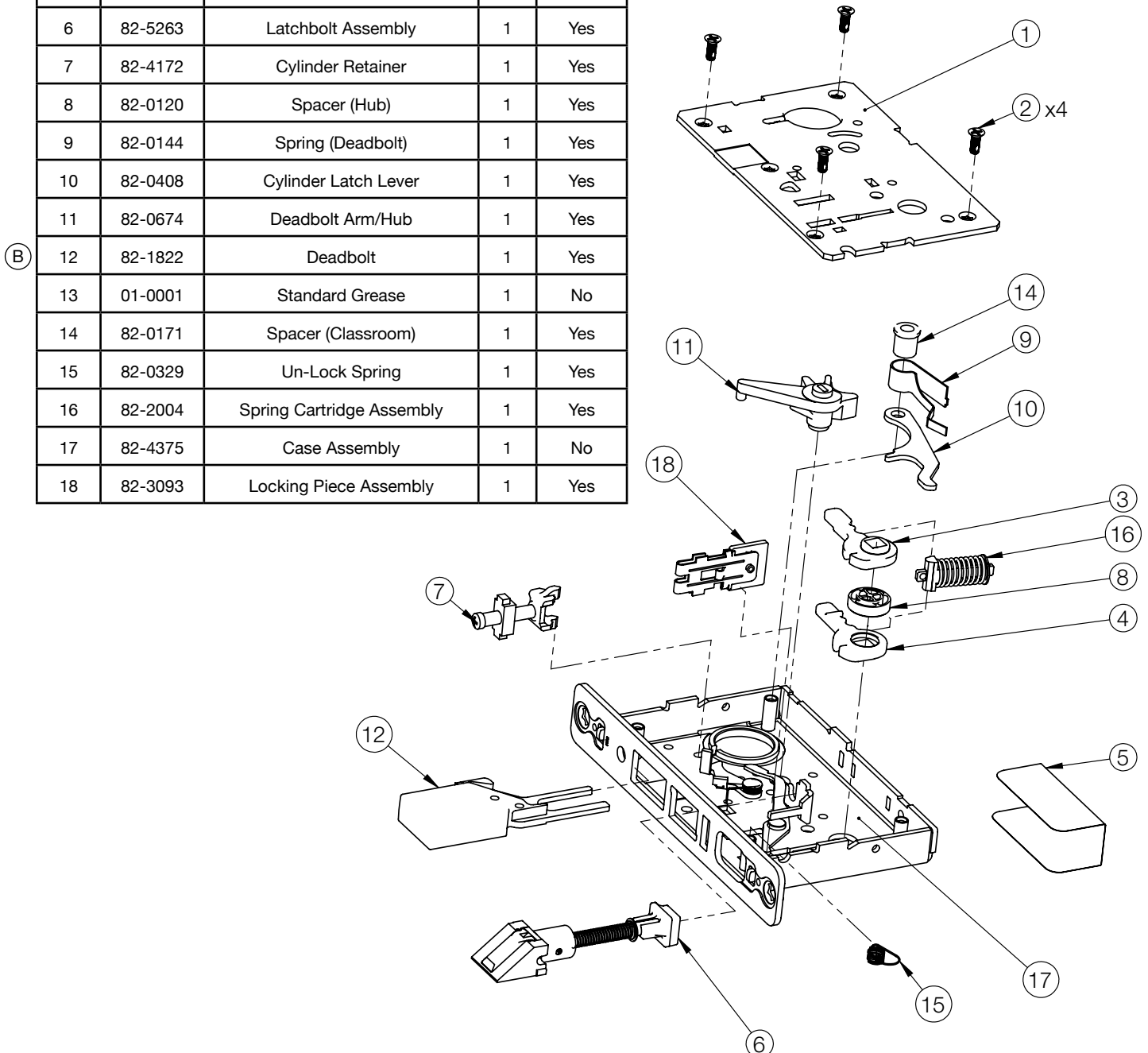
The warranty on SARGENT® products becomes void if the product is modified in any way, regardless of whether the modification causes or contributes to any alleged defect. If a SARGENT product is modified it may no longer meet industry certification and quality control standards applicable to the original product and is no longer a genuine SARGENT product.

Copyright © 2016-2019, 2025 Sargent Manufacturing Company, an ASSA ABLOY Group company. All rights reserved. Reproduction in whole or in part without the express written permission of Sargent Manufacturing Company is prohibited.

Experience a safer
 and more open world

Item no.	Part Number	Description	Qty.	Sellable
1	82-0024	Cap	1	No
2	01-4402	Machine Screw (#8-32 X 7/16")	4	Yes
3	82-0422	Cap Hub	1	Yes
4	82-0421	Case Hub	1	Yes
5	82-0640	8200 Lock Body Label	1	No
6	82-5263	Latchbolt Assembly	1	Yes
7	82-4172	Cylinder Retainer	1	Yes
8	82-0120	Spacer (Hub)	1	Yes
9	82-0144	Spring (Deadbolt)	1	Yes
10	82-0408	Cylinder Latch Lever	1	Yes
11	82-0674	Deadbolt Arm/Hub	1	Yes
(B) 12	82-1822	Deadbolt	1	Yes
13	01-0001	Standard Grease	1	No
14	82-0171	Spacer (Classroom)	1	Yes
15	82-0329	Un-Lock Spring	1	Yes
16	82-2004	Spring Cartridge Assembly	1	Yes
17	82-4375	Case Assembly	1	No
18	82-3093	Locking Piece Assembly	1	Yes

Parts required for available options are listed starting on page 27.



Experience a safer
and more open world

The warranty on SARGENT® products becomes void if the product is modified in any way, regardless of whether the modification causes or contributes to any alleged defect. If a SARGENT product is modified it may no longer meet industry certification and quality control standards applicable to the original product and is no longer a genuine SARGENT product.

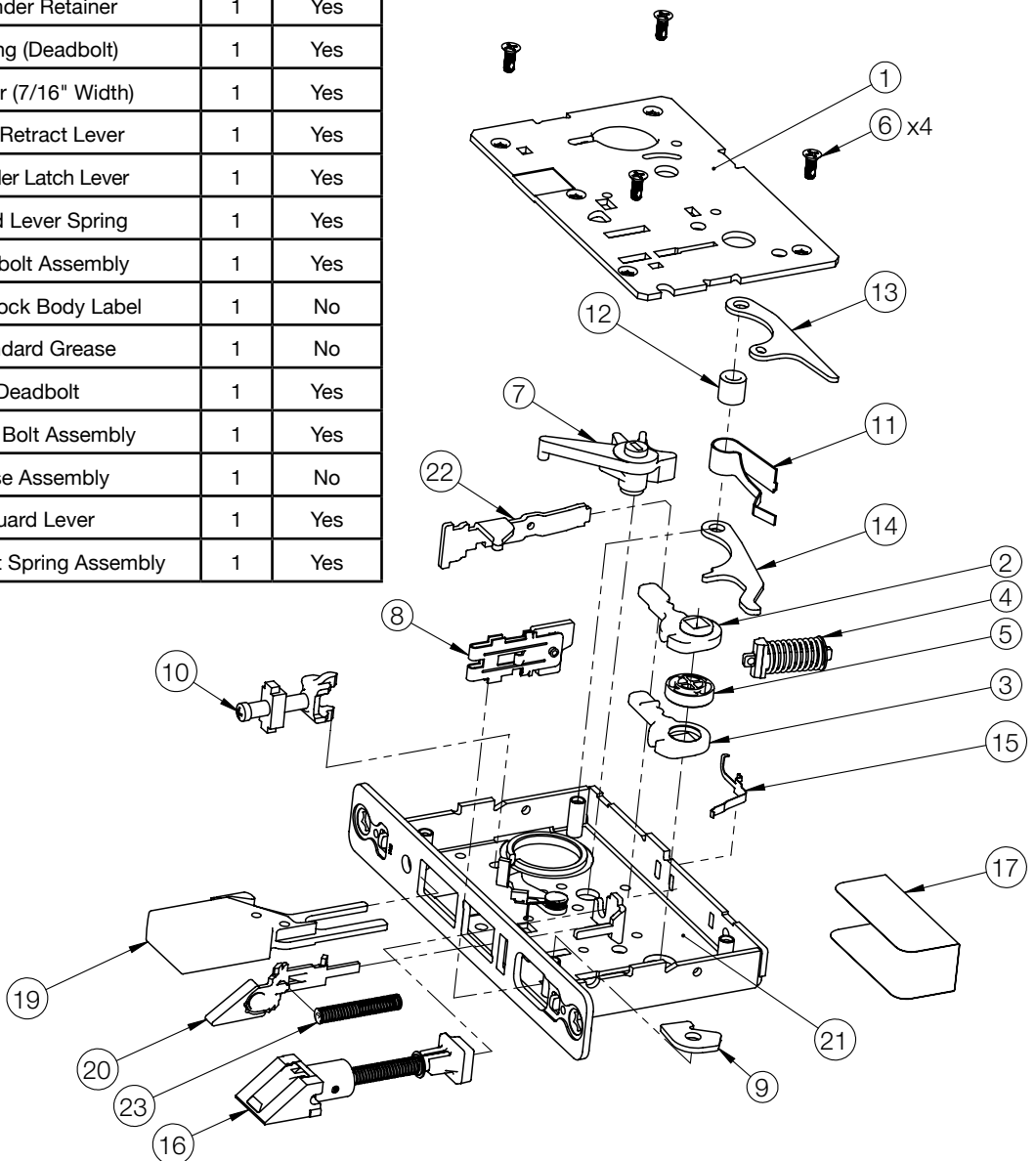
Copyright © 2016-2019, 2025 Sargent Manufacturing Company, an ASSA ABLOY Group company. All rights reserved. Reproduction in whole or in part without the express written permission of Sargent Manufacturing Company is prohibited.

8250 - HOTEL GUEST LOCK
8251 - STOREROOM LOCK WITH DEADBOLT

SARGENT
ASSA ABLOY

Item no.	Part Number	Description	Qty.	Sellable
1	82-0024	Cap	1	No
2	82-0422	Cap Hub	1	Yes
3	82-0421	Case Hub	1	Yes
4	82-2004	Spring Cartridge Assembly	1	Yes
5	82-0120	Spacer (Hub)	1	Yes
6	01-4402	Machine Screw (#8-32 X 7/16")	4	Yes
7	82-0674	Deadbolt Arm/Hub	1	Yes
8	82-3092	Locking Piece Assembly	1	Yes
9	82-0211	Locking Piece Jam	1	Yes
10	82-4172	Cylinder Retainer	1	Yes
11	82-0144	Spring (Deadbolt)	1	Yes
12	82-0128	Spacer (7/16" Width)	1	Yes
13	82-0133	Auto Retract Lever	1	Yes
(B) 14	82-0408	Cylinder Latch Lever	1	Yes
15	82-0138	Guard Lever Spring	1	Yes
16	82-5263	Latchbolt Assembly	1	Yes
17	82-0640	8200 Lock Body Label	1	No
18	01-0001	Standard Grease	1	No
(B) 19	82-1822	Deadbolt	1	Yes
20	82-2029	Guard Bolt Assembly	1	Yes
(B) 21	82-5426	Case Assembly	1	No
22	82-1665	Guard Lever	1	Yes
(B) 23	82-5434	Guardbolt Spring Assembly	1	Yes

Parts required for available options are listed starting on page 27.



A4741 09/25

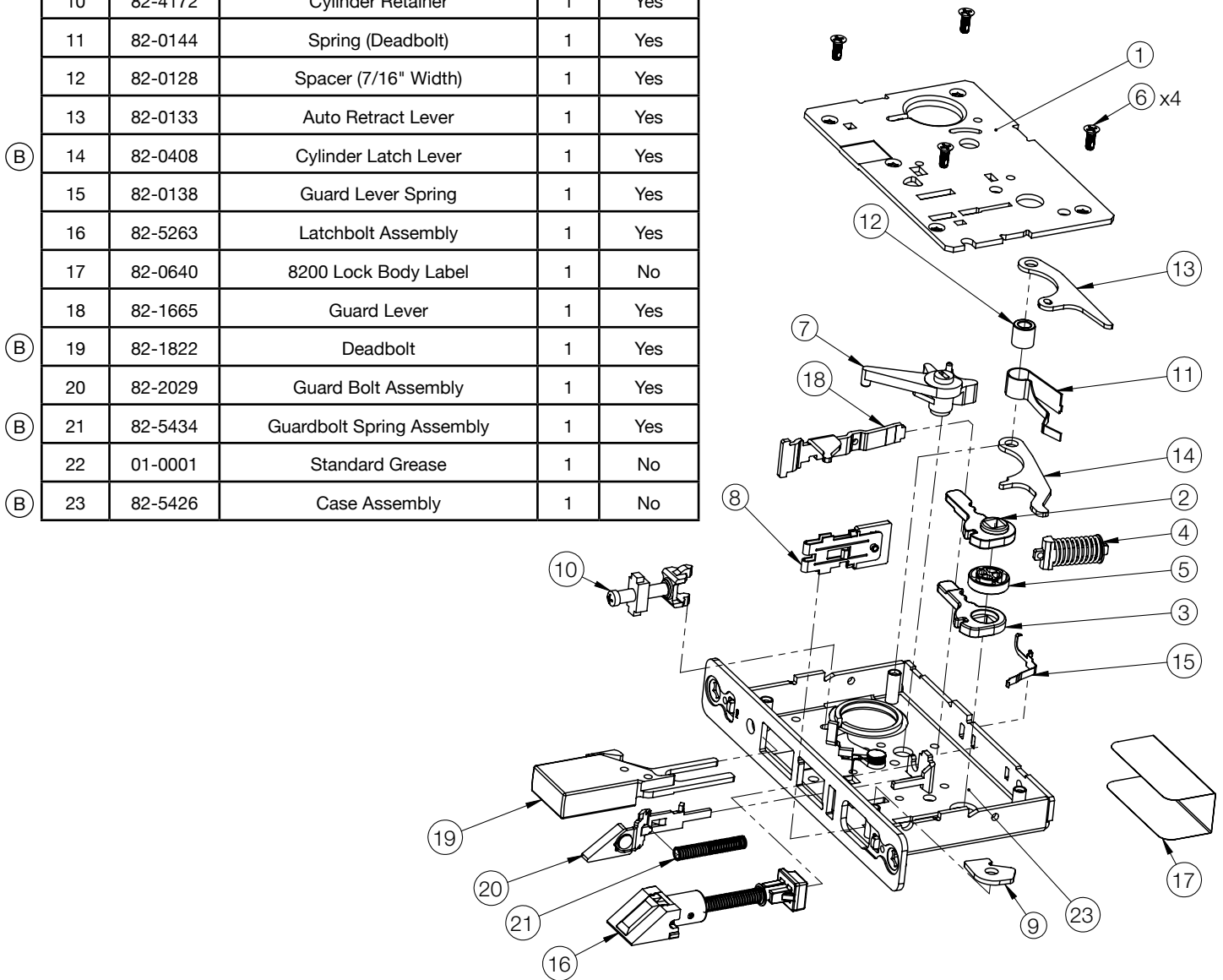
The warranty on SARGENT® products becomes void if the product is modified in any way, regardless of whether the modification causes or contributes to any alleged defect. If a SARGENT product is modified it may no longer meet industry certification and quality control standards applicable to the original product and is no longer a genuine SARGENT product.

Copyright © 2016-2019, 2025 Sargent Manufacturing Company, an ASSA ABLOY Group company. All rights reserved. Reproduction in whole or in part without the express written permission of Sargent Manufacturing Company is prohibited.

Experience a safer
and more open world

Item no.	Part Number	Description	Qty.	Sellable
1	82-0024	Cap	1	No
2	82-0422	Cap Hub	1	Yes
3	82-0421	Case Hub	1	Yes
4	82-2004	Spring Cartridge Assembly	1	Yes
5	82-0120	Spacer (Hub)	1	Yes
6	01-4402	Machine Screw (#8-32 X 7/16")	4	Yes
7	82-0674	Deadbolt Arm/Hub	1	Yes
8	82-3093	Locking Piece Assembly	1	Yes
9	82-0211	Locking Piece Jam	1	Yes
10	82-4172	Cylinder Retainer	1	Yes
11	82-0144	Spring (Deadbolt)	1	Yes
12	82-0128	Spacer (7/16" Width)	1	Yes
13	82-0133	Auto Retract Lever	1	Yes
(B) 14	82-0408	Cylinder Latch Lever	1	Yes
15	82-0138	Guard Lever Spring	1	Yes
16	82-5263	Latchbolt Assembly	1	Yes
17	82-0640	8200 Lock Body Label	1	No
18	82-1665	Guard Lever	1	Yes
(B) 19	82-1822	Deadbolt	1	Yes
20	82-2029	Guard Bolt Assembly	1	Yes
(B) 21	82-5434	Guardbolt Spring Assembly	1	Yes
22	01-0001	Standard Grease	1	No
(B) 23	82-5426	Case Assembly	1	No

Parts required for available options are listed starting on page 27.



Experience a safer
and more open world

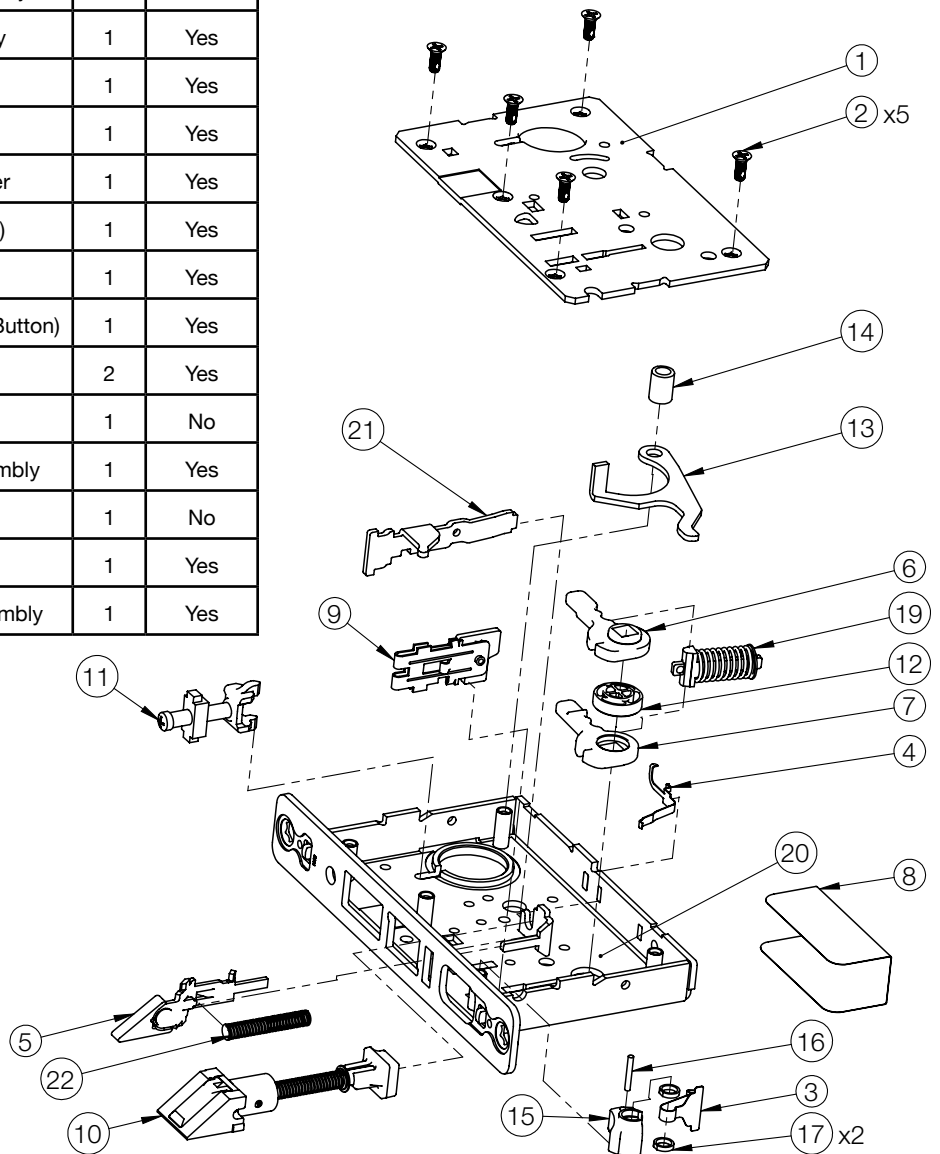
The warranty on SARGENT® products becomes void if the product is modified in any way, regardless of whether the modification causes or contributes to any alleged defect. If a SARGENT product is modified it may no longer meet industry certification and quality control standards applicable to the original product and is no longer a genuine SARGENT product.

Copyright © 2016-2019, 2025 Sargent Manufacturing Company, an ASSA ABLOY Group company. All rights reserved. Reproduction in whole or in part without the express written permission of Sargent Manufacturing Company is prohibited.

Item no.	Part Number	Description	Qty.	Sellable
1	82-0024	Cap	1	No
2	01-4402	Machine Screw (#8-32 X 7/16")	5	Yes
3	82-0102	Toggle Spring	1	Yes
4	82-0138	Guard Lever Spring	1	Yes
5	82-2029	Guard Bolt Assembly	1	Yes
6	82-0422	Cap Hub	1	Yes
7	82-0421	Case Hub	1	Yes
8	82-0640	8200 Lock Body Label	1	No
9	82-3092	Locking Piece Assembly	1	Yes
10	82-5263	Latchbolt Assembly	1	Yes
11	82-4172	Cylinder Retainer	1	Yes
12	82-0120	Spacer (Hub)	1	Yes
13	82-0139	Cylinder Latch Lever	1	Yes
14	82-0127	Spacer (1/2" Width)	1	Yes
15	82-0101	Toggle Button	1	Yes
16	82-0125	Connecting Pin (Toggle Button)	1	Yes
17	82-0212	Toggle Washer	2	Yes
18	01-0001	Standard Grease	1	No
19	82-2004	Spring Cartridge Assembly	1	Yes
20	82-5276	Case Assembly	1	No
21	82-1665	Guard Lever	1	Yes
22	82-5434	Guardbolt Spring Assembly	1	Yes

Parts required for available options are listed starting on page 27.

(B)



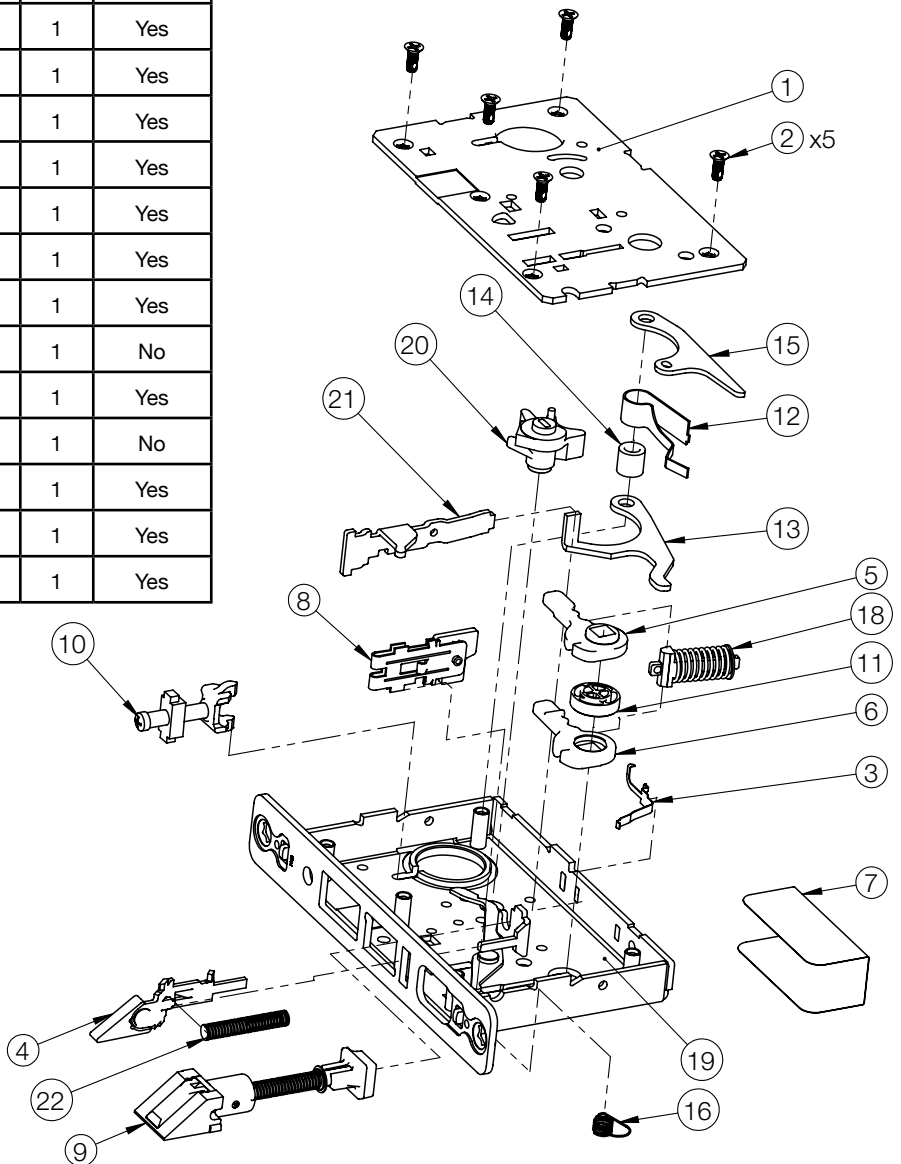
A4741 09/25

The warranty on SARGENT® products becomes void if the product is modified in any way, regardless of whether the modification causes or contributes to any alleged defect. If a SARGENT product is modified it may no longer meet industry certification and quality control standards applicable to the original product and is no longer a genuine SARGENT product.

Copyright © 2016-2019, 2025 Sargent Manufacturing Company, an ASSA ABLOY Group company. All rights reserved. Reproduction in whole or in part without the express written permission of Sargent Manufacturing Company is prohibited.

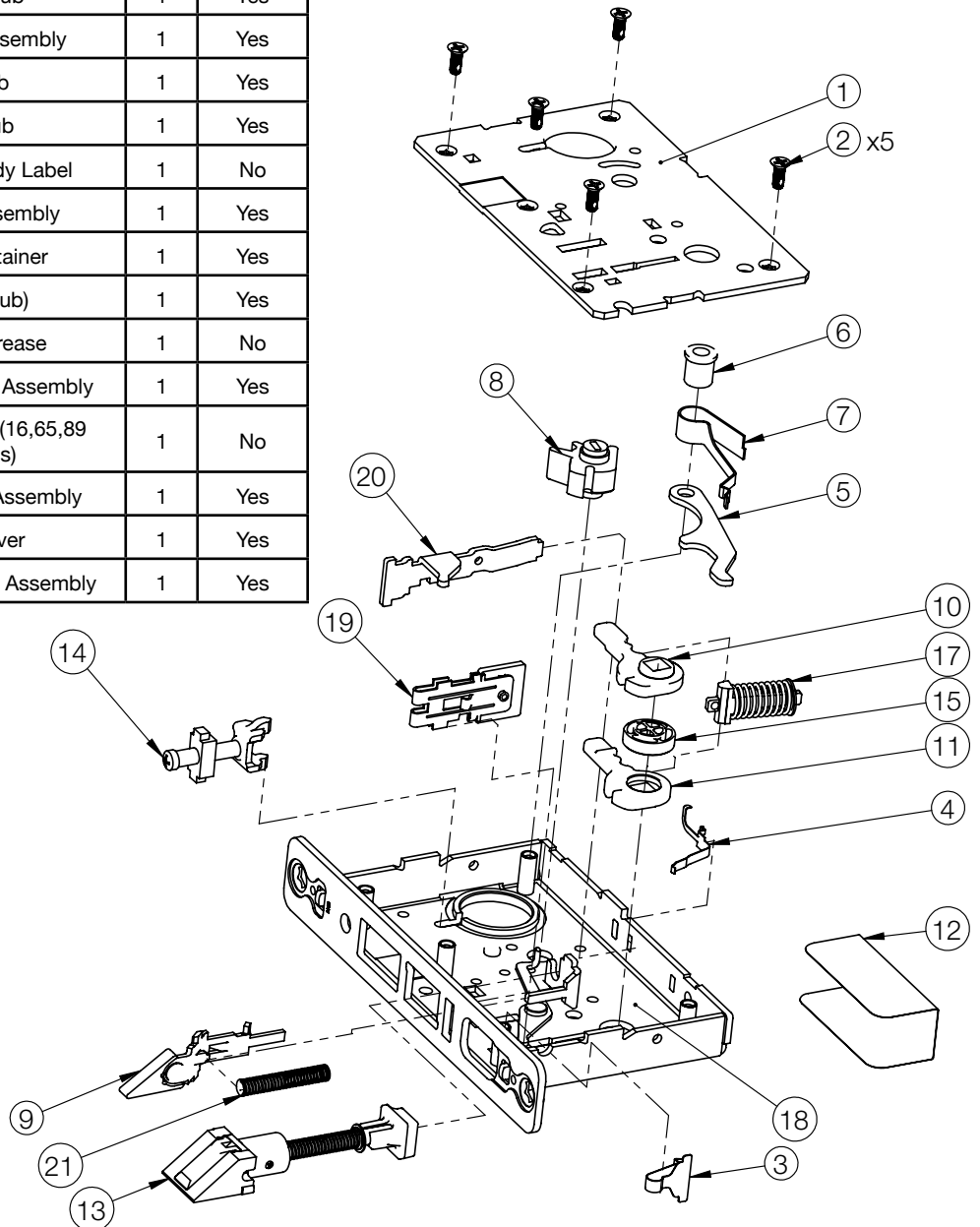
Item no.	Part Number	Description	Qty.	Sellable
1	82-0024	Cap	1	No
2	01-4402	Machine Screw (#8-32 X 7/16")	5	Yes
3	82-0138	Guard Lever Spring	1	Yes
4	82-2029	Guard Bolt Assembly	1	Yes
5	82-0422	Cap Hub	1	Yes
6	82-0421	Case Hub	1	Yes
7	82-0640	8200 Lock Body Label	1	No
8	82-3092	Locking Piece Assembly	1	Yes
9	82-5263	Latchbolt Assembly	1	Yes
10	82-4172	Cylinder Retainer	1	Yes
11	82-0120	Spacer (Hub)	1	Yes
12	82-0144	Spring (Deadbolt)	1	Yes
13	82-0139	Cylinder Latch Lever	1	Yes
14	82-0128	Spacer (7/16" Width)	1	Yes
15	82-0133	Auto Retract Lever	1	Yes
16	82-0329	Un-Lock Spring	1	Yes
17	01-0001	Standard Grease	1	No
18	82-2004	Spring Cartridge Assembly	1	Yes
19	82-5403	Case Assembly	1	No
20	82-1700	Deadbolt Arm/Hub	1	Yes
21	82-1665	Guard Lever	1	Yes
(B) 22	82-5434	Guardbolt Spring Assembly	1	Yes

Parts required for available options are listed starting on page 27.



Item no.	Part Number	Description	Qty.	Sellable
1	82-0024	Cap	1	No
2	01-4402	Machine Screw (#8-32 X 7/16")	5	Yes
3	82-0102	Toggle Spring	1	Yes
4	82-0138	Guard Lever Spring	1	Yes
5	82-0160	Cylinder Latch Lever (Classroom)	1	Yes
6	82-0171	Spacer (Classroom)	1	Yes
7	82-0161	Spring (Classroom)	1	Yes
8	82-0168	Control Hub	1	Yes
9	82-2029	Guard Bolt Assembly	1	Yes
10	82-0422	Cap Hub	1	Yes
11	82-0421	Case Hub	1	Yes
12	82-0640	8200 Lock Body Label	1	No
13	82-5263	Latchbolt Assembly	1	Yes
14	82-4172	Cylinder Retainer	1	Yes
15	82-0120	Spacer (Hub)	1	Yes
16	01-0001	Standard Grease	1	No
17	82-2004	Spring Cartridge Assembly	1	Yes
18	82-4176	Case Assembly (16,65,89 Functions)	1	No
19	82-3093	Locking Piece Assembly	1	Yes
20	82-1665	Guard Lever	1	Yes
(B) 21	82-5434	Guardbolt Spring Assembly	1	Yes

Parts required for available options are listed starting on page 27.



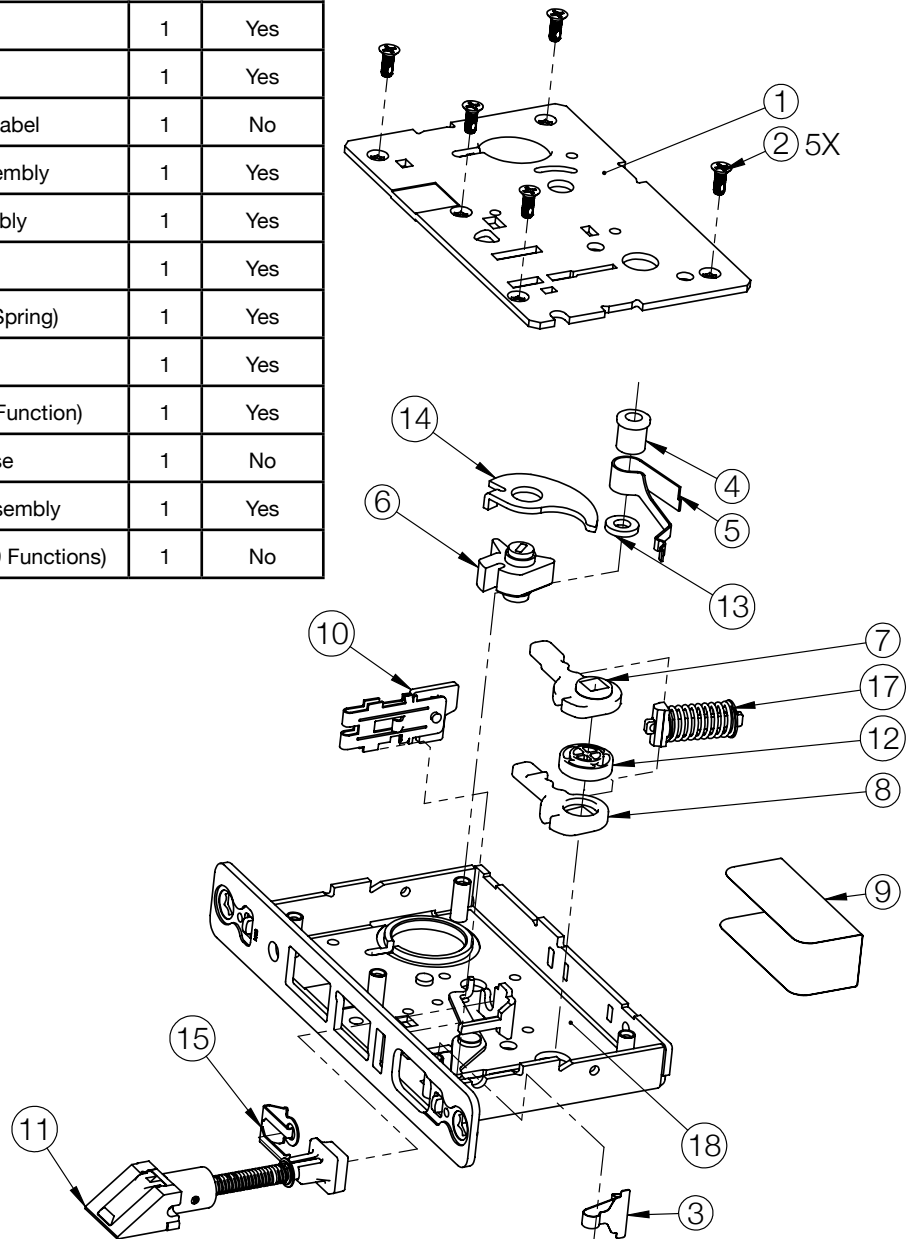
A4741 09/25

The warranty on SARGENT® products becomes void if the product is modified in any way, regardless of whether the modification causes or contributes to any alleged defect. If a SARGENT product is modified it may no longer meet industry certification and quality control standards applicable to the original product and is no longer a genuine SARGENT product.

Copyright © 2016-2019, 2025 Sargent Manufacturing Company, an ASSA ABLOY Group company. All rights reserved. Reproduction in whole or in part without the express written permission of Sargent Manufacturing Company is prohibited.

Item no.	Part Number	Description	Qty.	Sellable
1	82-0024	Cap	1	No
2	01-4402	Machine Screw (#8-32 X 7/16")	5	Yes
3	82-0102	Toggle Spring	1	Yes
4	82-0171	Spacer (Classroom)	1	Yes
5	82-0161	Spring (Classroom)	1	Yes
6	82-0168	Control Hub	1	Yes
7	82-0422	Cap Hub	1	Yes
8	82-0421	Case Hub	1	Yes
9	82-0640	8200 Lock Body Label	1	No
10	82-3092	Locking Piece Assembly	1	Yes
11	82-5263	Latchbolt Assembly	1	Yes
12	82-0120	Spacer (Hub)	1	Yes
13	82-0170	Washer (Dead Bolt Spring)	1	Yes
14	82-0464	Push Lever	1	Yes
15	82-0633	Latchbolt Tail Clip (65 Function)	1	Yes
16	01-0001	Standard Grease	1	No
17	82-2004	Spring Cartridge Assembly	1	Yes
18	82-4176	Case Assembly (16,65,89 Functions)	1	No

Parts required for available options are listed starting on page 27.



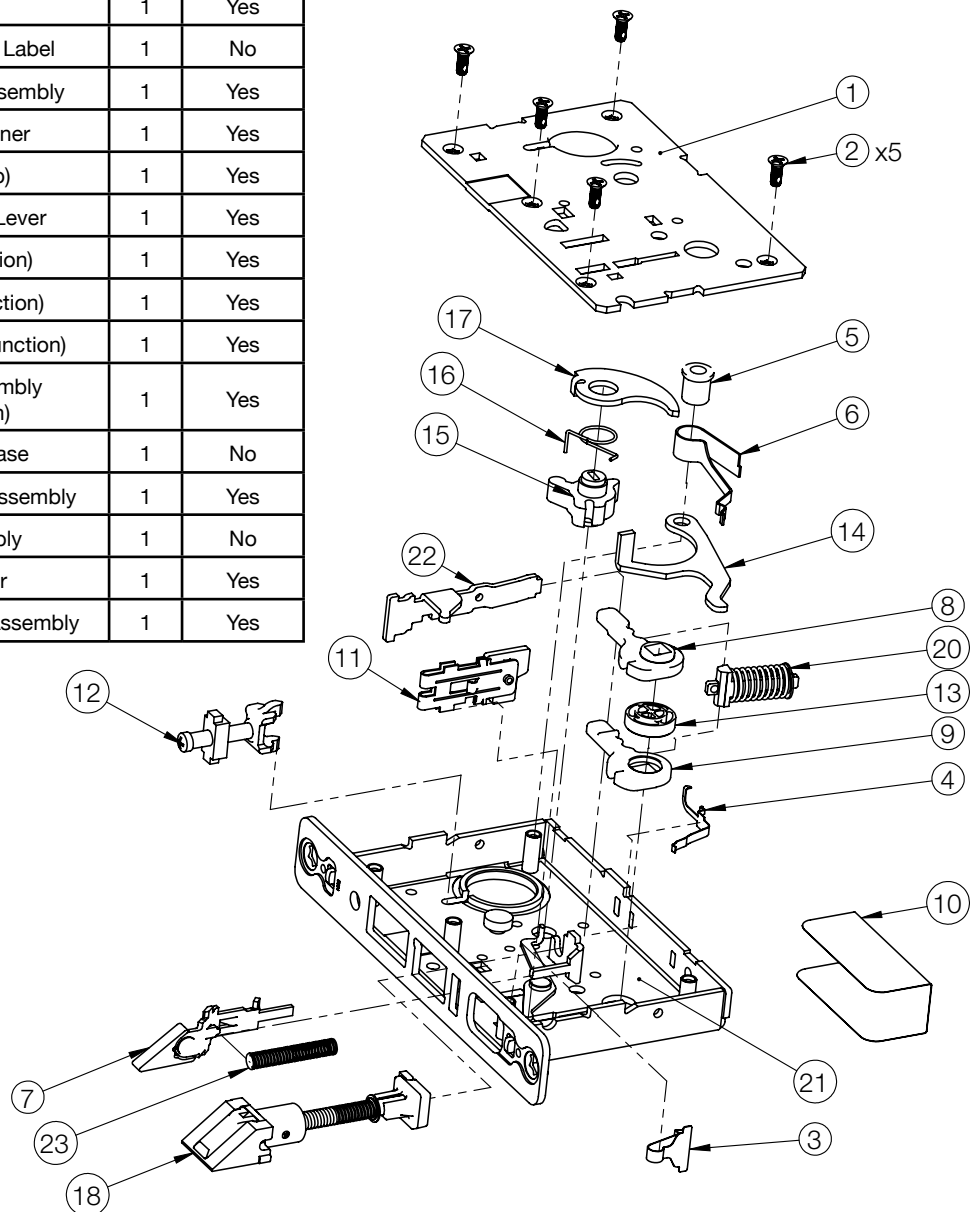
Experience a safer
and more open world

The warranty on SARGENT® products becomes void if the product is modified in any way, regardless of whether the modification causes or contributes to any alleged defect. If a SARGENT product is modified it may no longer meet industry certification and quality control standards applicable to the original product and is no longer a genuine SARGENT product.

Copyright © 2016-2019, 2025 Sargent Manufacturing Company, an ASSA ABLOY Group company. All rights reserved. Reproduction in whole or in part without the express written permission of Sargent Manufacturing Company is prohibited.

Item no.	Part Number	Description	Qty.	Sellable
1	82-0024	Cap	1	No
2	01-4402	Machine Screw (#8-32 X 7/16")	5	Yes
3	82-0102	Toggle Spring	1	Yes
4	82-0138	Guard Lever Spring	1	Yes
5	82-0171	Spacer (Classroom)	1	Yes
6	82-0161	Spring (Classroom)	1	Yes
7	82-2029	Guard Bolt Assembly	1	Yes
8	82-0422	Cap Hub	1	Yes
9	82-0421	Case Hub	1	Yes
10	82-0640	8200 Lock Body Label	1	No
11	82-3092	Locking Piece Assembly	1	Yes
12	82-4172	Cylinder Retainer	1	Yes
13	82-0120	Spacer (Hub)	1	Yes
14	82-0139	Cylinder Latch Lever	1	Yes
(B) 15	82-1931	Hub (67 Function)	1	Yes
(B) 16	82-1932	Spring (67 Function)	1	Yes
17	82-1809	Push Lever (67 Function)	1	Yes
18	82-4566	Latchbolt Assembly (67 Function)	1	Yes
19	01-0001	Standard Grease	1	No
20	82-2004	Spring Cartridge Assembly	1	Yes
21	82-4535	Case Assembly	1	No
22	82-1665	Guard Lever	1	Yes
23	82-5376	Guardbolt Spring Assembly	1	Yes

Parts required for available options are listed starting on page 27.



A4741 09/25

The warranty on SARGENT® products becomes void if the product is modified in any way, regardless of whether the modification causes or contributes to any alleged defect. If a SARGENT product is modified it may no longer meet industry certification and quality control standards applicable to the original product and is no longer a genuine SARGENT product.

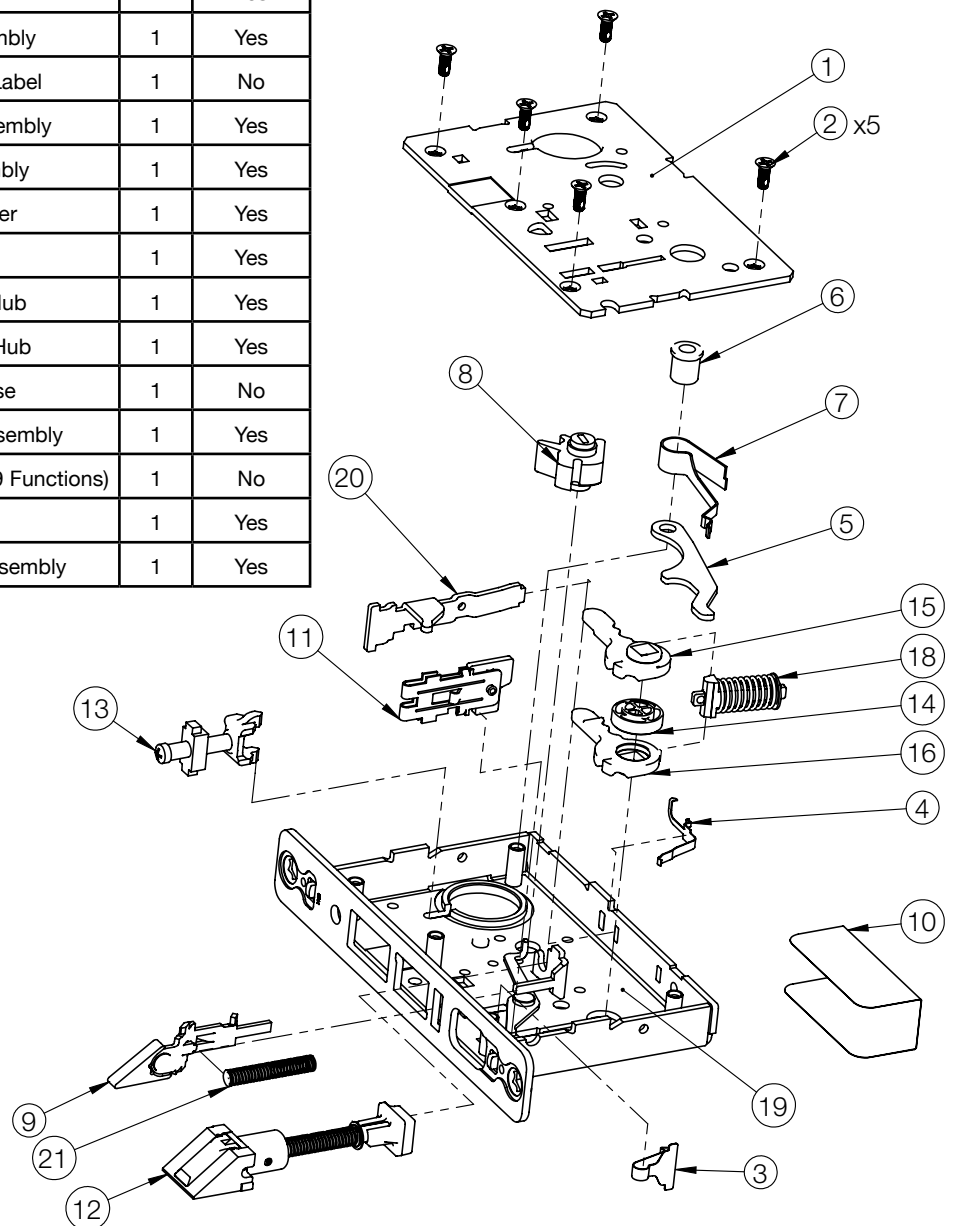
Copyright © 2016-2019, 2025 Sargent Manufacturing Company, an ASSA ABLOY Group company. All rights reserved. Reproduction in whole or in part without the express written permission of Sargent Manufacturing Company is prohibited.

8289 - HOLDBACK LOCK
8290 - CLASSROOM SECURITY HOLDBACK LOCK



Item no.	Part Number	Description	Qty.	Sellable
1	82-0024	Cap	1	No
2	01-4402	Machine Screw (#8-32 X 7/16")	5	Yes
3	82-0102	Toggle Spring	1	Yes
4	82-0138	Guard Lever Spring	1	Yes
5	82-0160	Cylinder Latch Lever (Classroom)	1	Yes
6	82-0171	Spacer (Classroom)	1	Yes
7	82-0161	Spring (Classroom)	1	Yes
8	82-0168	Control Hub	1	Yes
9	82-2029	Guard Bolt Assembly	1	Yes
10	82-0640	8200 Lock Body Label	1	No
11	82-3092	Locking Piece Assembly	1	Yes
12	82-5263	Latchbolt Assembly	1	Yes
13	82-4172	Cylinder Retainer	1	Yes
14	82-0120	Spacer (Hub)	1	Yes
15	82-0636	Holdback Cap Hub	1	Yes
16	82-0635	Holdback Case Hub	1	Yes
17	01-0001	Standard Grease	1	No
18	82-2004	Spring Cartridge Assembly	1	Yes
19	82-4176	Case Assembly (16,65,89 Functions)	1	No
20	82-1665	Guard Lever	1	Yes
(B) 21	82-5434	Guardbolt Spring Assembly	1	Yes

Parts required for available options are listed starting on page 27.



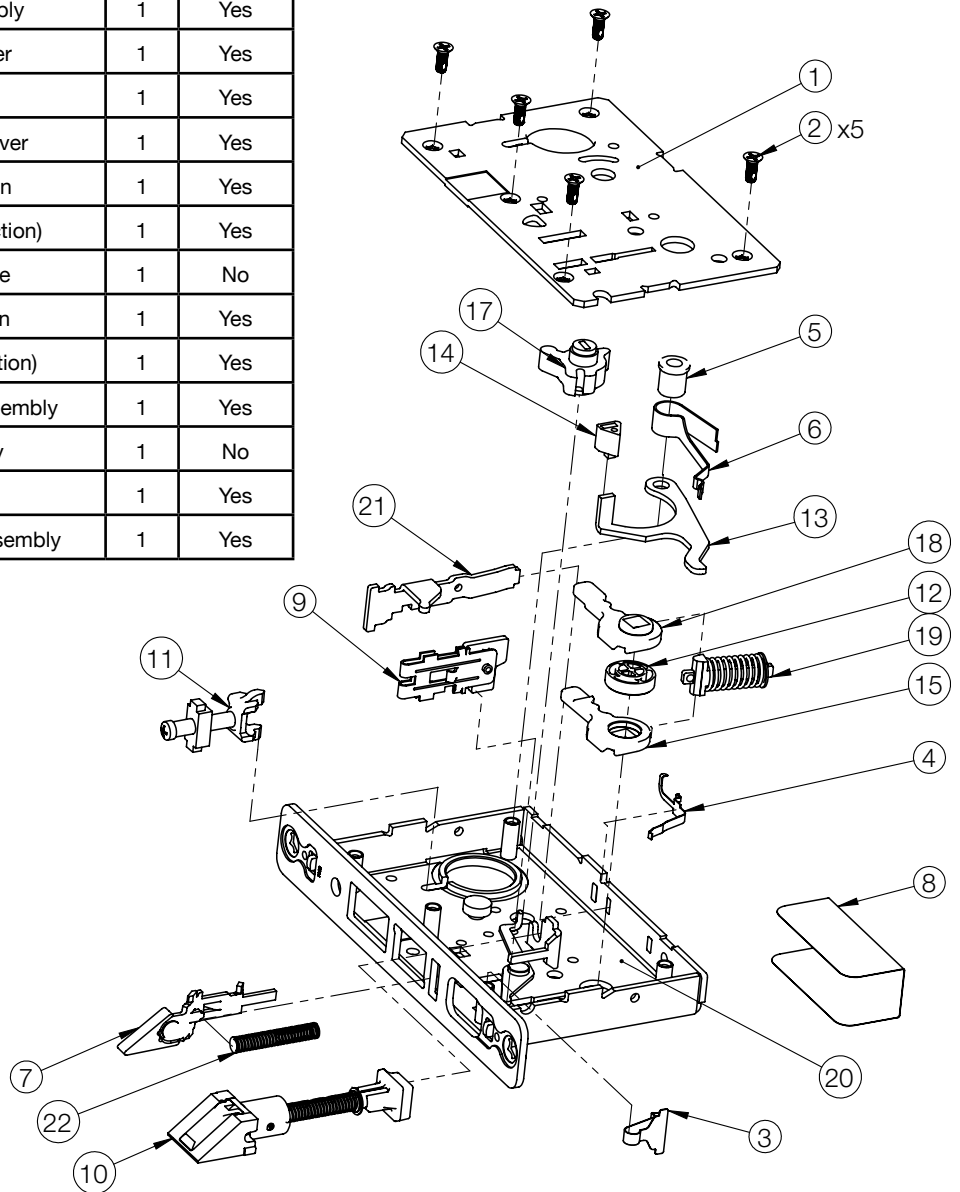
Experience a safer
and more open world

The warranty on SARGENT® products becomes void if the product is modified in any way, regardless of whether the modification causes or contributes to any alleged defect. If a SARGENT product is modified it may no longer meet industry certification and quality control standards applicable to the original product and is no longer a genuine SARGENT product.

Copyright © 2016-2019, 2025 Sargent Manufacturing Company, an ASSA ABLOY Group company. All rights reserved. Reproduction in whole or in part without the express written permission of Sargent Manufacturing Company is prohibited.

Item no.	Part Number	Description	Qty.	Sellable
1	82-0024	Cap	1	No
2	01-4402	Machine Screw (#8-32 X 7/16")	5	Yes
3	82-0102	Toggle Spring	1	Yes
4	82-0138	Guard Lever Spring	1	Yes
5	82-0171	Spacer (Classroom)	1	Yes
6	82-0161	Spring (Classroom)	1	Yes
7	82-2029	Guard Bolt Assembly	1	Yes
8	82-0640	8200 Lock Body Label	1	No
9	82-3092	Locking Piece Assembly	1	Yes
10	82-5263	Latchbolt Assembly	1	Yes
11	82-4172	Cylinder Retainer	1	Yes
12	82-0120	Spacer (Hub)	1	Yes
13	82-0139	Cylinder Latch Lever	1	Yes
14	82-1214	Cam 91 Function	1	Yes
15	82-0124	Hub (Case 92 Function)	1	Yes
16	01-0001	Standard Grease	1	No
(B) 17	82-1931	Hub-67 Function	1	Yes
18	82-0123	Hub (Cap 92 Function)	1	Yes
19	82-2004	Spring Cartridge Assembly	1	Yes
20	82-4535	Case Assembly	1	No
21	82-1665	Guard Lever	1	Yes
(B) 22	82-5434	Guardbolt Spring Assembly	1	Yes

Parts required for available options are listed starting on page 27.



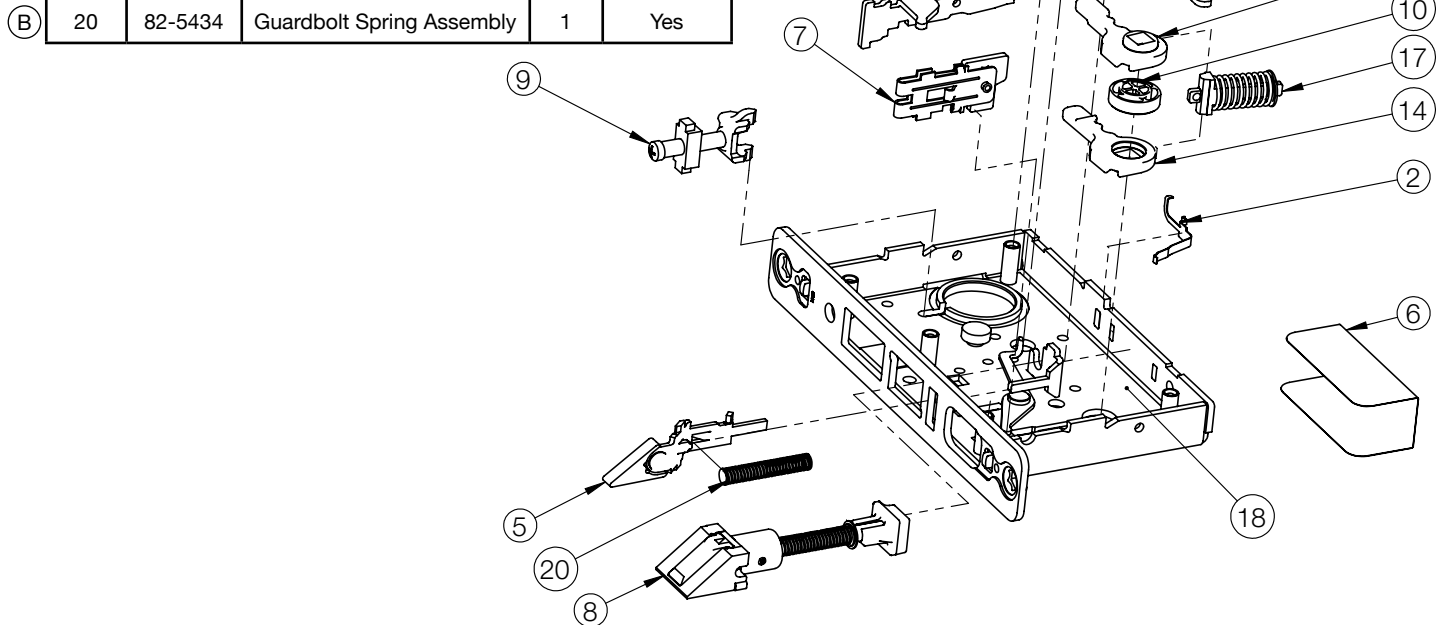
A4741 09/25

The warranty on SARGENT® products becomes void if the product is modified in any way, regardless of whether the modification causes or contributes to any alleged defect. If a SARGENT product is modified it may no longer meet industry certification and quality control standards applicable to the original product and is no longer a genuine SARGENT product.

Copyright © 2016-2019, 2025 Sargent Manufacturing Company, an ASSA ABLOY Group company. All rights reserved. Reproduction in whole or in part without the express written permission of Sargent Manufacturing Company is prohibited.

Item no.	Part Number	Description	Qty.	Sellable
1	01-4402	Machine Screw (#8-32 X 7/16")	5	Yes
2	82-0138	Guard Lever Spring	1	Yes
3	82-0171	Spacer (Classroom)	1	Yes
4	82-0161	Spring (Classroom)	1	Yes
5	82-2029	Guard Bolt Assembly	1	Yes
6	82-0640	8200 Lock Body Label	1	No
7	82-3092	Locking Piece Assembly	1	Yes
8	82-5263	Latchbolt Assembly	1	Yes
9	82-4172	Cylinder Retainer	1	Yes
10	82-0120	Spacer (Hub)	1	Yes
11	82-0139	Cylinder Latch Lever	1	Yes
12	82-0465	Hub	1	Yes
13	82-2129	Cap Assembly	1	No
14	82-0124	Hub (Case 92 Function)	1	Yes
15	82-0123	Hub (Cap 92 Function)	1	Yes
16	01-0001	Standard Grease	1	No
17	82-2004	Spring Cartridge Assembly	1	Yes
18	82-4535	Case Assembly	1	No
19	82-1665	Guard Lever	1	Yes
20	82-5434	Guardbolt Spring Assembly	1	Yes

Parts required for available options are listed starting on page 27.



Experience a safer
and more open world

The warranty on SARGENT® products becomes void if the product is modified in any way, regardless of whether the modification causes or contributes to any alleged defect. If a SARGENT product is modified it may no longer meet industry certification and quality control standards applicable to the original product and is no longer a genuine SARGENT product.

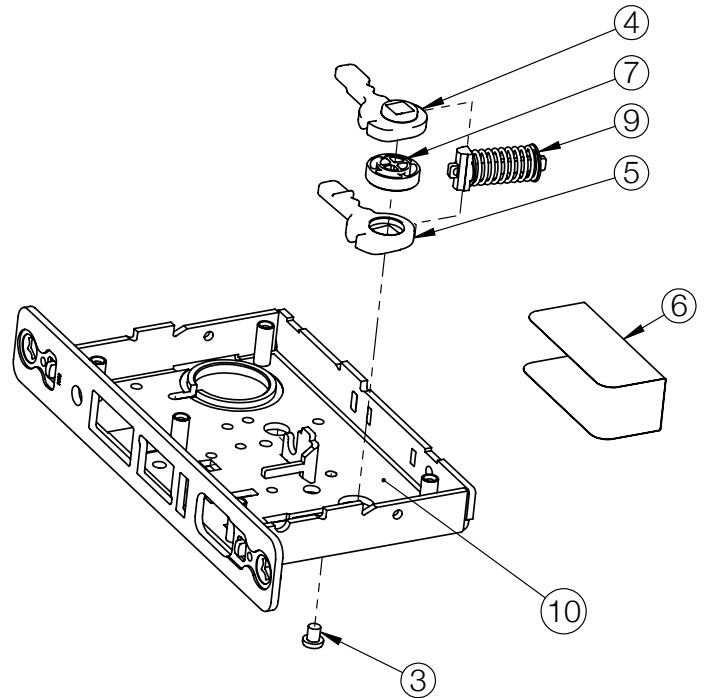
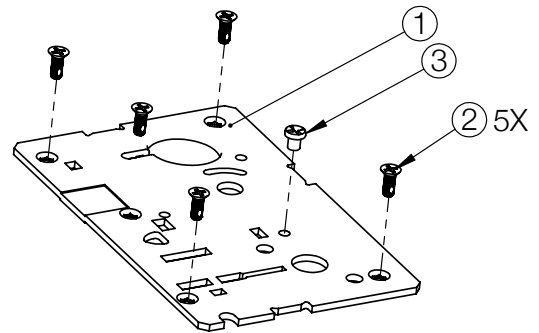
Copyright © 2016-2019, 2025 Sargent Manufacturing Company, an ASSA ABLOY Group company. All rights reserved. Reproduction in whole or in part without the express written permission of Sargent Manufacturing Company is prohibited.

8295 - DUMMY LOCK TRIM - SINGLE LEVER
 8296 - DUMMY LOCK TRIM - DOUBLE LEVER
 8297 - ACTIVE DUMMY LOCK TRIM - DOUBLE LEVER



Item no.	Part Number	Description	Qty.	Sellable
1	82-0024	Cap	1	No
2	01-4402	Machine Screw (#8-32 X 7/16")	5	Yes
3	01-9180	Catch Screw	2	Yes
4	82-0422	Cap Hub	1	Yes
5	82-0421	Case Hub	1	Yes
6	82-0640	8200 Lock Body Label	1	No
7	82-0120	Spacer (Hub)	1	Yes
8	01-0001	Standard Grease	1	No
9	82-2004	Spring Cartridge Assembly	1	Yes
10	82-5276	Case Assembly	1	No

Parts required for available options are listed starting on page 27.



A4741 09/25

3- Option - Stainless steel lever hubs

82-0422	Cap Hub	Yes
82-0421	Case Hub	Yes

Replace
with

82-0253	Hub (Cap Institutional)	Yes
82-0252	Hub (Case Institutional)	Yes

68/69 and BHL Options - Door lever and door knob combinations

82-2004	Spring Cartridge Assy	Yes
---------	-----------------------	-----

Replace
with

82-3645	68/69-8200 Spring Ctg Assy	Yes
---------	----------------------------	-----

ALP Option

82-2004	Spring Cartridge Assy	Yes
---------	-----------------------	-----

Replace
*Add

82-4849	Spring Cartridge Assy Alp8200	Yes
82-2121	Fire Stop Assy	Yes

*Add Fire Stop Assy to all ALP options except for the 8228/29/30 functions

RX- Option - Request to Exit - Monitors each lever independently

P/N	Description	Qty.	Sellable
01-9180	Catch Screw	1	Yes

For Functions:
04, 05, 06, 13, 31, 36, 37, 38

01-4532	Self Tapping Screw	1	Yes
01-9209	#8-32X3/16 Pn Hd Tap Scrw	1	Yes
52-0512	Half & Half Cable Clamp	1	Yes
82-0541	Spring Bracket	1	Yes
82-0542	Friction Disc	2	Yes
82-3617	Switch & Cable Assy (Rx)	1	Yes

For Functions:
04, 05, 06, 13, 15, 16, 24, 25, 26,
27, 28, 29, 30, 31, 35, 36, 37, 38,
39, 40, 49, 55, 56, 59, 65, 66, 67,
68, 89, 90, 91

01-4532	Self Tapping Screw	1	Yes
01-9209	#8-32X3/16 Pn Hd Tap Scrw	3	Yes
52-0512	Half & Half Cable Clamp	3	Yes
82-0541	Spring Bracket	1	Yes
82-0542	Friction Disc	2	Yes
82-3617	Switch & Cable Assy (Rx)	1	Yes

For Functions:
41, 43, 45, 46, 47, 48,
50, 51, 52, 92

DX- Option - Deadbolt monitoring — Monitor deadbolt position

P/N	Description	Qty.	Sellable
52-2505	Dx-8200 Switch Brkt Assy	1	Yes

For Functions:
All

01-9209	#8-32X3/16 Pn Hd Tap Scrw	1	Yes
52-0512	Half & Half Cable Clamp	1	Yes

For Functions:
03, 20, 21, 22, 23, 26, 28, 29, 30, 40

01-9209	#8-32X3/16 Pn Hd Tap Scrw	3	Yes
52-0512	Half & Half Cable Clamp	3	Yes

For Functions:
41, 43, 45, 46, 47, 48, 50, 51, 52

01-4376	Self Tapping Screw	1	Yes
82-0406	Half Cable Clamp (82Elec)	1	Yes

For Functions:
25, 35, 39, 49, 66

LX- Option - Latchbolt monitor — Monitors latchbolt position

P/N	Description	Qty.	Sellable
52-2647	Switch & Brkt Assy	1	Yes

For Functions:
 All

01-9180	Catch Screw	1	Yes
---------	-------------	---	-----

For Functions:
 04, 05, 06, 13, 31, 36, 37, 38

01-9209	#8-32X3/16 Pn Hd Tap Scrw	1	Yes
52-0512	Half & Half Cable Clamp	1	Yes

For Functions:
 04, 05, 06, 13, 16, 17, 31, 36, 37,
 38, 55, 59, 67, 89, 90, 91, 92

01-4532	Self Tapping Screw	1	Yes
82-0406	Half Cable Clamp (82Elec)	1	Yes

For Functions:
 15, 56, 65

R8200 Option - Roseless Trim

P/N	Description	Sellable
82-0422	Cap Hub	Yes
82-0421	Case Hub	Yes
82-0120	Spacer (Hub)	Yes

Replace
with

P/N	Description	Sellable
82-0746	R82 Cap Hub	Yes
82-0745	R82 Case Hub	Yes
82-0759	R82 Hub Spacer	Yes

The warranty on SARGENT[®] products becomes void if the product is modified in any way, regardless of whether the modification causes or contributes to any alleged defect. If a SARGENT product is modified it may no longer meet industry certification and quality control standards applicable to the original product and is no longer a genuine SARGENT product.

Copyright © 2016-2019, 2025 Sargent Manufacturing Company, an ASSA ABLOY Group company. All rights reserved. Reproduction in whole or in part without the express written permission of Sargent Manufacturing Company is prohibited.

The ASSA ABLOY Group is the global leader in access solutions. Every day, we help billions of people experience a more open world.

ASSA ABLOY Opening Solutions leads the development within door openings and products for access solutions in homes, businesses and institutions. Our offering includes doors, frames, door and window hardware, mechanical and smart locks, access control and service.

SARGENT[®]
ASSA ABLOY

SARGENT Manufacturing Company
100 Sargent Drive
New Haven, CT 06511 USA
800-727-5477
www.sargentlock.com

Founded in the early 1800s, SARGENT[®] is a market leader in locksets, cylinders, door closers, exit devices, electro-mechanical products and access control systems for new construction, renovation, and replacement applications. The company's customer base includes commercial construction, institutional, and industrial markets.

Copyright © 2016-2019, 2025, SARGENT Manufacturing Company. All rights reserved. Reproduction in whole or in part without the express written permission of SARGENT Manufacturing Company is prohibited. Patent pending and/or patent www.assaabloydss.com/patents.