

# ML2000 SERIES

Mortise Lock Parts Manual

For Locks Made After January 2016



 **WARNING**

This product can expose you to lead which is known to the state of California to cause cancer and birth defects or other reproductive harm. For more information go to [www.P65warnings.ca.gov](http://www.P65warnings.ca.gov).

Experience a safer  
and more open world

## Deadlock Functions

|             |   |
|-------------|---|
| ML2011..... | 4 |
| ML2012..... | 4 |
| ML2013..... | 4 |
| ML2017..... | 6 |

## Lockset Functions

|   |    |
|---|----|
| ML2002 - Classroom.....                               | 8  |
| ML2003 - Classroom Intruder.....                      | 8  |
| ML2004 - Classroom.....                               | 8  |
| ML2010 - Passage or Closet.....                       | 10 |
| ML2020 - Privacy, Bedroom or Bathroom.....            | 12 |
| ML2022 - Store Door.....                              | 12 |
| ML2024 - Entrance or Storeroom.....                   | 12 |
| ML2029 - Hotel or Motel.....                          | 14 |
| ML2030 - Privacy, Bedroom or Bathroom.....            | 16 |
| ML2032 - Institution or Utility.....                  | 18 |
| ML2040 - Passage with Indicator.....                  | 20 |
| ML2042 - Entrance or Public Restroom.....             | 22 |
| ML2048 - Entrance or Apartment.....                   | 24 |
| ML2049 - Storeroom Deadbolt.....                      | 14 |
| ML2051 - Entrance or Office.....                      | 26 |
| ML2052 - Classroom Intruder Multi-Function Lock.....  | 22 |
| ML2053 - Entrance or Office, Multi-Function Lock..... | 22 |
| ML2054 - Entrance or Office, Multi-Function Lock..... | 22 |
| ML2055 - Classroom, Multi-Function Lock.....          | 22 |
| ML2056 - Classroom Holdback.....                      | 28 |
| ML2057 - Storeroom or Closet.....                     | 30 |
| ML2058 - Entrance or Office Holdback.....             | 28 |
| ML2059 - Security Storeroom or Closet.....            | 14 |
| ML2060 - Privacy.....                                 | 32 |
| ML2062 - Intruder Deadbolt.....                       | 16 |
| ML2065 - Dormitory or Entrance.....                   | 16 |
| ML2067 - Apartment or Dormitory.....                  | 34 |
| ML2068 - Privacy or Apartment.....                    | 36 |
| ML2069 - Institutional Privacy.....                   | 38 |
| ML2072 - Classroom Intruder.....                      | 40 |
| ML2073 - Classroom Security.....                      | 40 |
| ML2075 - Security Entrance or Office.....             | 40 |

## Lockset Functions (cont.)

|   |    |
|---|----|
| ML2080 - Half Active Dummy Trim.....          | 42 |
| ML2082 - Dormitory or Exit.....               | 44 |
| ML2087 Security Vestibule.....                | 46 |
| ML2090 - Fully Active Dummy Trim.....         | 48 |
| ML2092 - Security Institution or Utility..... | 50 |

## Mortise Crossbar Exit Device Functions

|                     |    |
|---------------------|----|
| Strikes.....        | 52 |
| Armored Fronts..... | 53 |

## Trim Components

|   |    |
|---|----|
| Lever or Knob x Wrought Escutcheon.....               | 54 |
| Lever or Knob x Cast Escutcheon.....                  | 54 |
| Vandal Resistant Lever Trim.....                      | 55 |
| Lever or Knob x Rose.....                             | 55 |
| Half Trim - Lever or Knob x Escutcheon.....           | 56 |
| Half Trim - Lever or Knob x Rose.....                 | 56 |
| Inside Levers & Outside Lever/Spindle Assemblies..... | 57 |
| Inside Knobs & Outside Knob/Spindle Assemblies.....   | 60 |
| Inside & Outside Muséo Decorative Levers.....         | 61 |

## Escutcheons

|  |    |
|--|----|
| M Escutcheon.....                              | 62 |
| N Escutcheon.....                              | 64 |
| P Escutcheon.....                              | 64 |
| R Escutcheon.....                              | 65 |
| L Escutcheon.....                              | 66 |
| V Escutcheon.....                              | 68 |
| Rose Packets.....                              | 69 |
| Rose Packets - Muséo.....                      | 70 |
| Adapter Packets.....                           | 71 |
| Spindles and Component Parts.....              | 74 |
| Screws & Screw Packets.....                    | 75 |
| Miscellaneous Parts.....                       | 76 |
| Cylinders.....                                 | 78 |
| Cylinder Collars.....                          | 79 |
| ML2000 Series Hand Reversing Instructions..... | 84 |

The warranty on Corbin Russwin products becomes void if the product is modified in any way, regardless of whether the modifications causes or contributes to any alleged defect. If a Corbin Russwin product is modified it may no longer meet industry certification and quality control standards applicable to the original product and is no longer a genuine Corbin Russwin product.

Copyright © 2000-2023, 2025, ASSA ABLOY Access and Egress Hardware Group, Inc. All rights reserved. Reproduction in whole or in part without the express written permission of ASSA ABLOY Access and Egress Hardware Group, Inc. is prohibited. Patent pending and/or patent [www.assaabloydss.com/patents](http://www.assaabloydss.com/patents).

To order parts, use the appropriate Part Number and specify Finish (FIN) as directed. For example, to order ten Toggle Levers for the ML2067 Function, use the following configuration:

| Quantity | Part Number |
|----------|-------------|
| 10       | 851F617     |

- In order to simplify the ordering procedure, parts are only available as listed.
- Refer to the installation instructions for complete installation.
- Limited warranty against defects in materials and workmanship under normal use and service. Corbin Russwin is not responsible for alterations or modifications made to our products by others. (See full limited warranty for further details.)
- For assistance, contact your authorized Corbin Russwin distributor or Corbin Russwin directly at:

**In US:**

Corbin Russwin Architectural Hardware  
 225 Episcopal Road  
 Berlin, CT 06037  
 Phone: 800-543-6714  
 Fax: 800-447-6714  
 www.corbinrusswin.com

**In Canada:**

ASSA ABLOY Door Security Solutions Canada  
 160 Four Valley Drive  
 Vaughan, Ontario  
 Canada L4K 4T9  
 Phone: 800-461-3007  
 Fax: 905-738-2478  
 www.assaabloy.ca

**Notes:**

1. This parts manual contains information on parts specific to locksets shipped after Jan. 2016. For units shipped prior to Jan. 2016 refer to parts manual document #45305 or contact technical support.
2. The knobs referenced in this parts manual are for GZ and YZ knobs only. For other knob designs, contact technical product support.

**Phone: (888) 607-5703**

**Email: techsupport.corbinrusswin@assaabloy.com**

The warranty on Corbin Russwin products becomes void if the product is modified in any way, regardless of whether the modifications causes or contributes to any alleged defect. If a Corbin Russwin product is modified it may no longer meet industry certification and quality control standards applicable to the original product and is no longer a genuine Corbin Russwin product.

Copyright © 2000-2023, 2025, ASSA ABLOY Access and Egress Hardware Group, Inc. All rights reserved. Reproduction in whole or in part without the express written permission of ASSA ABLOY Access and Egress Hardware Group, Inc. is prohibited. Patent pending and/or patent www.assaabloydss.com/patents.

**Deadlock**

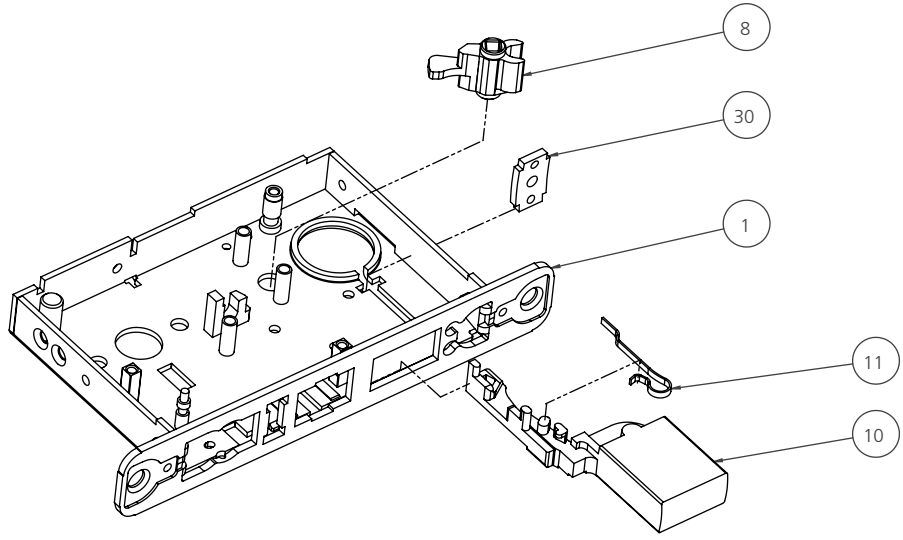
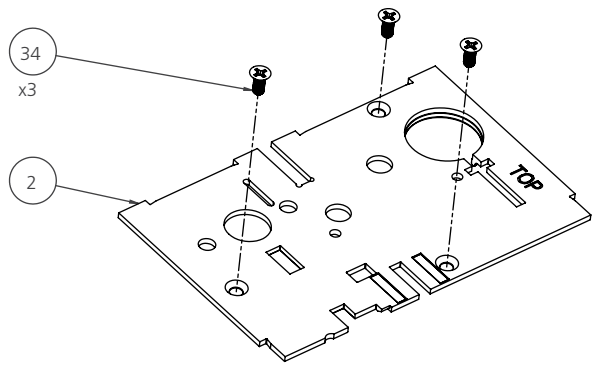
| ITEM NO.    | PART NUMBER | DESCRIPTION   | SELLABLE |
|-------------|-------------|---|----------|
| 1           | 820F268     | Case & Front SA, Standard   | No       |
| 2           | 700F278     | Cap, Case Standard  | No       |
| 8           | 813F505     | Hub, Turnpiece Standard   | Yes      |
| 10          | 702F987     | Deadbolt, Standard  | Yes      |
| 11          | 701F228     | Spring, Deadbolt  | Yes      |
| 30          | 402F738     | Bracket, Cylinder Set Screw   | Yes      |
| 34          | 684F188     | Screw, FHUM-PH-TITE #8-32 x 3/8"  | Yes      |
| See page 53 | 079F00 FIN* | Armored Front   | Yes      |
| See page 52 | 236L72018   | Std. Strike   | Yes      |
| See page 75 | 429F41 FIN* | Mortise Lock Mounting Packet<br><br>NOTE: For double cylinder functions an additional cylinder set screw is required. | Yes      |
|             | 488F088     | Cylinder Set Screw  |          |

\*Specify finish

The warranty on Corbin Russwin products becomes void if the product is modified in any way, regardless of whether the modifications causes or contributes to any alleged defect. If a Corbin Russwin product is modified it may no longer meet industry certification and quality control standards applicable to the original product and is no longer a genuine Corbin Russwin product.

Copyright © 2000-2023, 2025, ASSA ABLOY Access and Egress Hardware Group, Inc. All rights reserved. Reproduction in whole or in part without the express written permission of ASSA ABLOY Access and Egress Hardware Group, Inc. is prohibited. Patent pending and/or patent [www.assaabloydss.com/patents](http://www.assaabloydss.com/patents).

**Deadlock**



The warranty on Corbin Russwin products becomes void if the product is modified in any way, regardless of whether the modifications causes or contributes to any alleged defect. If a Corbin Russwin product is modified it may no longer meet industry certification and quality control standards applicable to the original product and is no longer a genuine Corbin Russwin product.

Copyright © 2000-2023, 2025, ASSA ABLOY Access and Egress Hardware Group, Inc. All rights reserved. Reproduction in whole or in part without the express written permission of ASSA ABLOY Access and Egress Hardware Group, Inc. is prohibited. Patent pending and/or patent [www.assaabloydss.com/patents](http://www.assaabloydss.com/patents).

**Classroom Deadlock**

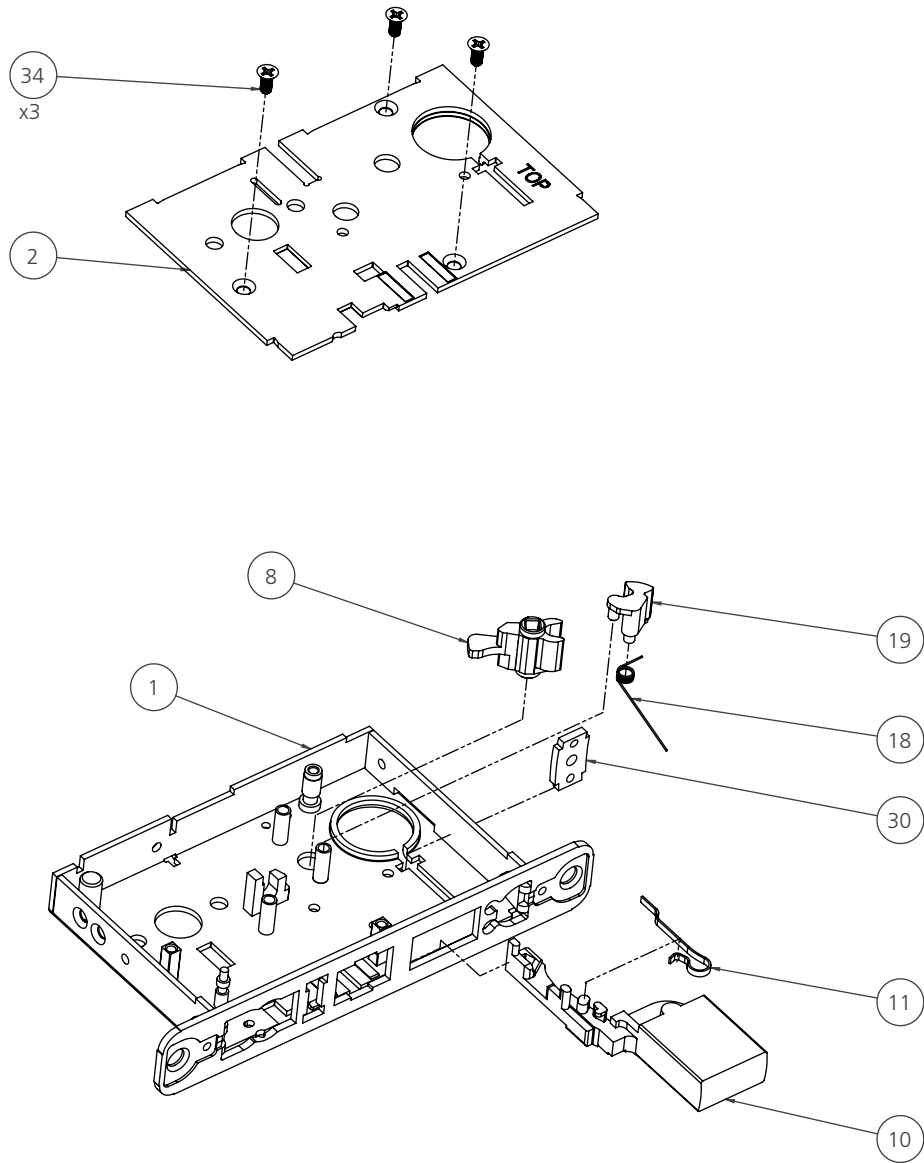
| ITEM NO.    | PART NUMBER | DESCRIPTION                      | SELLABLE |
|-------------|-------------|----------------------------------|----------|
| 1           | 820F268     | Case & Front SA, Standard        | No       |
| 2           | 700F278     | Cap, Case Standard               | No       |
| 8           | 813F505     | Hub, Turnpiece Standard          | Yes      |
| 10          | 702F987     | Deadbolt, Standard               | Yes      |
| 11          | 701F228     | Spring, Deadbolt                 | Yes      |
| 18          | 852F318     | Spring, Func. 17                 | Yes      |
| 19          | 852F307     | Bracket, Classroom Func. 17      | Yes      |
| 30          | 402F738     | Bracket, Cylinder Set Screw      | Yes      |
| 34          | 684F188     | Screw, FHUM-PH-TITE #8-32 x 3/8" | Yes      |
| See page 53 | 079F00 FIN* | Armored Front                    | Yes      |
| See page 52 | 236L72018   | Std. Strike                      | Yes      |
| See page 75 | 429F41 FIN* | Mortise Lock Mounting Packet     | Yes      |

\*Specify finish

The warranty on Corbin Russwin products becomes void if the product is modified in any way, regardless of whether the modifications causes or contributes to any alleged defect. If a Corbin Russwin product is modified it may no longer meet industry certification and quality control standards applicable to the original product and is no longer a genuine Corbin Russwin product.

Copyright © 2000-2023, 2025, ASSA ABLOY Access and Egress Hardware Group, Inc. All rights reserved. Reproduction in whole or in part without the express written permission of ASSA ABLOY Access and Egress Hardware Group, Inc. is prohibited. Patent pending and/or patent [www.assaabloydss.com/patents](http://www.assaabloydss.com/patents).

Classroom Deadlock



The warranty on Corbin Russwin products becomes void if the product is modified in any way, regardless of whether the modifications causes or contributes to any alleged defect. If a Corbin Russwin product is modified it may no longer meet industry certification and quality control standards applicable to the original product and is no longer a genuine Corbin Russwin product.

Copyright © 2000-2023, 2025, ASSA ABLOY Access and Egress Hardware Group, Inc. All rights reserved. Reproduction in whole or in part without the express written permission of ASSA ABLOY Access and Egress Hardware Group, Inc. is prohibited. Patent pending and/or patent [www.assaabloydss.com/patents](http://www.assaabloydss.com/patents).

## Classroom Intruder, Classroom

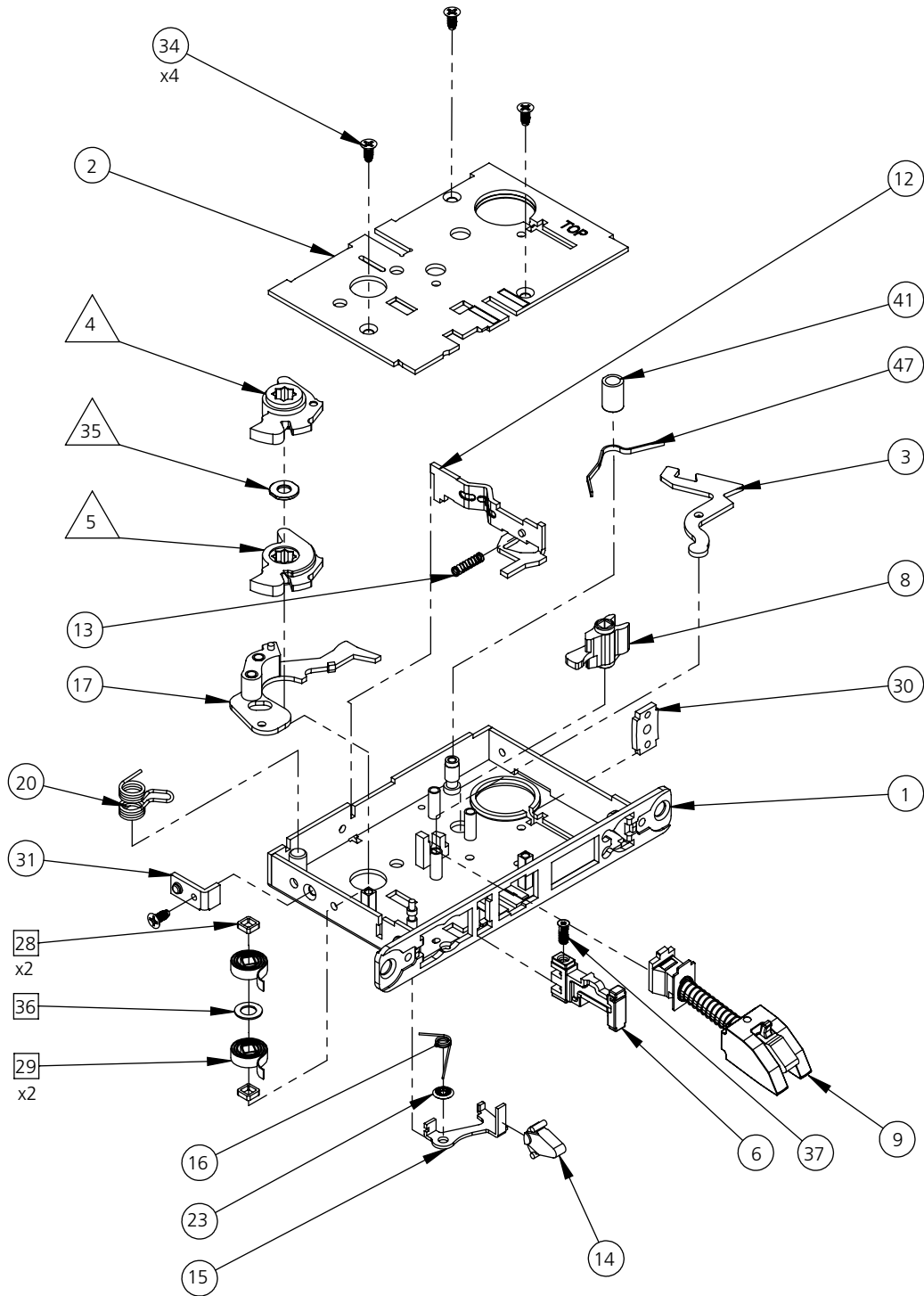
| ITEM NO.    | PART NUMBER        | DESCRIPTION   | SELLABLE |
|-------------|--------------------|---|----------|
| 1           | 820F268            | Case & Front SA, Standard   | No       |
| 2           | 700F278            | Cap, Case Standard  | No       |
| 3           | 702F598            | Lever, Stop   | Yes      |
| △ 4         | 820F068<br>853F068 | Hub (Cap Side)<br>Lever<br>Knob   | Yes      |
| △ 5         | 820F078<br>853F078 | Hub (Case Side)<br>Lever<br>Knob  | Yes      |
| 6           | 853F497            | Stop  | Yes      |
| 8           | 813F505            | Hub, Turnpiece Standard   | Yes      |
| 9           | 864F107            | Latchbolt Sub-Assembly, Standard  | Yes      |
| 12          | 624F488            | Lever, Deadlocking  | Yes      |
| 13          | 700F907            | Spring, Deadlocking Spring  | Yes      |
| 14          | 403F677            | Latch, Auxiliary  | Yes      |
| 15          | 678F548            | Lever, Auxiliary  | Yes      |
| 16          | 678F677            | Spring, Auxiliary Lever   | Yes      |
| 17          | 820F008            | Lever, Hub Assembly   | Yes      |
| 20          | 820F048            | Spring, Hub Lever   | Yes      |
| 23          | 436F177            | Ring, Retaining   | Yes      |
| □ 28        | 466F229            | Spacer, Square  | Yes      |
| □ 29        | 404F858            | Spring, Lever Return  | Yes      |
| 30          | 402F738            | Bracket, Cylinder Set Screw   | Yes      |
| 31          | 404F868            | Bracket, Align  | Yes      |
| 34          | 684F188            | Screw, FHUM-PH-TITE #8-32 x 3/8"  | Yes      |
| △ 35        | 684F119<br>853F089 | Spacer, Hub<br>Lever<br>Knob  | Yes      |
| □ 36        | 684F129            | Spacer, Lever Return Spring   | Yes      |
| 41          | 624F439            | Spacer, Tall  | Yes      |
| 47          | 790F027            | Spring, Turn-Piece Hub  | Yes      |
| See page 53 | 624F49 FIN*        | Armored Front   | Yes      |
| See page 52 | 236L72018          | Std. Strike   | Yes      |
| See page 75 | 429F41 FIN*        | Mortise Lock Mounting Packet  | Yes      |
|             | 488F088            | NOTE: For double cylinder functions an additional cylinder set screw is required.<br>Cylinder Set Screw |          |

\*Specify finish

The warranty on Corbin Russwin products becomes void if the product is modified in any way, regardless of whether the modifications causes or contributes to any alleged defect. If a Corbin Russwin product is modified it may no longer meet industry certification and quality control standards applicable to the original product and is no longer a genuine Corbin Russwin product.

Copyright © 2000-2023, 2025, ASSA ABLOY Access and Egress Hardware Group, Inc. All rights reserved. Reproduction in whole or in part without the express written permission of ASSA ABLOY Access and Egress Hardware Group, Inc. is prohibited. Patent pending and/or patent [www.assaabloydss.com/patents](http://www.assaabloydss.com/patents).

**Classroom Intruder, Classroom**



- Parts common to both lever and knob trim designs.
- Parts for lever trim designs only.
- △ Lever and knob trim designs utilize different part numbers. See table.

The warranty on Corbin Russwin products becomes void if the product is modified in any way, regardless of whether the modifications causes or contributes to any alleged defect. If a Corbin Russwin product is modified it may no longer meet industry certification and quality control standards applicable to the original product and is no longer a genuine Corbin Russwin product.

Copyright © 2000-2023, 2025, ASSA ABLOY Access and Egress Hardware Group, Inc. All rights reserved. Reproduction in whole or in part without the express written permission of ASSA ABLOY Access and Egress Hardware Group, Inc. is prohibited. Patent pending and/or patent [www.assaabloydss.com/patents](http://www.assaabloydss.com/patents).

## Passage or Closet

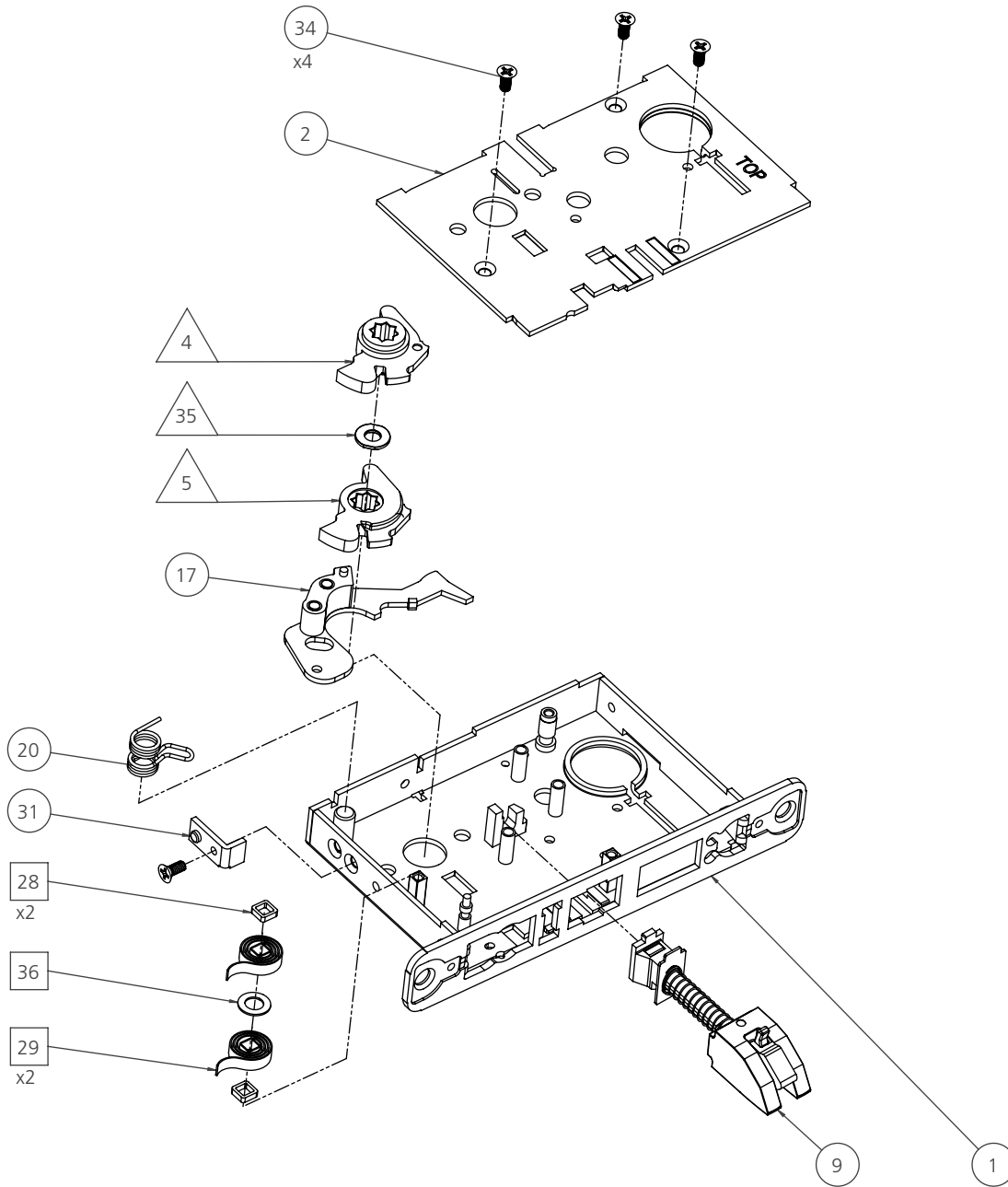
| ITEM NO.    | PART NUMBER | DESCRIPTION                      | SELLABLE |
|-------------|-------------|----------------------------------|----------|
| 1           | 820F268     | Case & Front SA, Standard        | No       |
| 2           | 700F278     | Cap, Case Standard               | No       |
| △ 4         | 820F068     | Hub (Cap Side)                   | Yes      |
|             | 853F068     | Lever<br>Knob                    |          |
| △ 5         | 820F078     | Hub (Case Side)                  | Yes      |
|             | 853F078     | Lever<br>Knob                    |          |
| 9           | 864F107     | Latchbolt Sub-Assembly, Standard | Yes      |
| 17          | 820F008     | Lever, Hub Assembly              | Yes      |
| 20          | 820F048     | Spring, Hub Lever                | Yes      |
| □ 28        | 466F229     | Spacer, Square                   | Yes      |
| □ 29        | 404F858     | Spring, Lever Return             | Yes      |
| 31          | 404F868     | Bracket, Align                   | Yes      |
| 34          | 684F188     | Screw, FHUM-PH-TITE #8-32 x 3/8" | Yes      |
| △ 35        | 684F119     | Spacer, Hub                      | Yes      |
|             | 853F089     | Lever<br>Knob                    |          |
| □ 36        | 684F129     | Spacer, Lever Return Spring      | Yes      |
| See page 53 | 423F54 FIN* | Armored Front                    | Yes      |
| See page 52 | 236L72018   | Std. Strike                      | Yes      |
| See page 75 | 429F41 FIN* | Mortise Lock Mounting Packet     | Yes      |

\*Specify finish

The warranty on Corbin Russwin products becomes void if the product is modified in any way, regardless of whether the modifications causes or contributes to any alleged defect. If a Corbin Russwin product is modified it may no longer meet industry certification and quality control standards applicable to the original product and is no longer a genuine Corbin Russwin product.

Copyright © 2000-2023, 2025, ASSA ABLOY Access and Egress Hardware Group, Inc. All rights reserved. Reproduction in whole or in part without the express written permission of ASSA ABLOY Access and Egress Hardware Group, Inc. is prohibited. Patent pending and/or patent [www.assaabloydss.com/patents](http://www.assaabloydss.com/patents).

Passage or Closet



- Parts common to both lever and knob trim designs.
- Parts for lever trim designs only.
- △ Lever and knob trim designs utilize different part numbers. See table.

The warranty on Corbin Russwin products becomes void if the product is modified in any way, regardless of whether the modifications causes or contributes to any alleged defect. If a Corbin Russwin product is modified it may no longer meet industry certification and quality control standards applicable to the original product and is no longer a genuine Corbin Russwin product.

Copyright © 2000-2023, 2025, ASSA ABLOY Access and Egress Hardware Group, Inc. All rights reserved. Reproduction in whole or in part without the express written permission of ASSA ABLOY Access and Egress Hardware Group, Inc. is prohibited. Patent pending and/or patent [www.assaabloydss.com/patents](http://www.assaabloydss.com/patents).

## Privacy, Bedroom or Bathroom, Store Door, Entrance or Storeroom

| ITEM NO.    | PART NUMBER | DESCRIPTION   | SELLABLE |
|-------------|-------------|---|----------|
| 1           | 820F268     | Case & Front SA, Standard   | No       |
| 2           | 700F278     | Cap, Case Standard  | No       |
| 3           | 700F708     | Lever, Stop   | Yes      |
| △           | 820F068     | Hub (Cap Side)<br>Lever   | Yes      |
|             | 853F068     | Knob  |          |
| △           | 820F078     | Hub (Case Side)<br>Lever  | Yes      |
|             | 853F078     | Knob  |          |
| 6           | 853F497     | Stop  | Yes      |
| 8           | 813F505     | Hub, Turnpiece Standard   | Yes      |
| 9           | 864F107     | Latchbolt Sub-Assembly, Standard  | Yes      |
| 10          | 702F987     | Deadbolt, Standard  | Yes      |
| 11          | 701F228     | Spring, Deadbolt  | Yes      |
| 17          | 820F008     | Lever, Hub Assembly   | Yes      |
| 20          | 820F048     | Spring, Hub Lever   | Yes      |
| 21          | 701F748     | Lever, Cylinder Latch Lever   | Yes      |
| □           | 466F229     | Spacer, Square  | Yes      |
| □           | 404F858     | Spring, Lever Return  | Yes      |
| 30          | 402F738     | Bracket, Cylinder Set Screw   | Yes      |
| 31          | 404F868     | Bracket, Align  | Yes      |
| 34          | 684F188     | Screw, FHUM-PH-TITE #8-32 x 3/8"  | Yes      |
| △           | 684F119     | Spacer, Hub<br>Lever  | Yes      |
|             | 853F089     | Knob  |          |
| □           | 684F129     | Spacer, Lever Return Spring   | Yes      |
| 37          | 684F067     | Screw, Stop   | Yes      |
| 44          | 700F957     | Spring, Cylinder Latch Lever  | Yes      |
| See page 53 | 423F54 FIN* | Armored Front   | Yes      |
| See page 52 | 236L72018   | Std. Strike   | Yes      |
| See page 75 | 429F41 FIN* | Mortise Lock Mounting Packet<br><br>NOTE: For double cylinder functions an additional cylinder set screw is required. | Yes      |
|             | 488F088     | Cylinder Set Screw  |          |

\*Specify finish

The warranty on Corbin Russwin products becomes void if the product is modified in any way, regardless of whether the modifications causes or contributes to any alleged defect. If a Corbin Russwin product is modified it may no longer meet industry certification and quality control standards applicable to the original product and is no longer a genuine Corbin Russwin product.

Copyright © 2000-2023, 2025, ASSA ABLOY Access and Egress Hardware Group, Inc. All rights reserved. Reproduction in whole or in part without the express written permission of ASSA ABLOY Access and Egress Hardware Group, Inc. is prohibited. Patent pending and/or patent www.assaabloydss.com/patents.



## Hotel or Motel, Security Storeroom or Closet

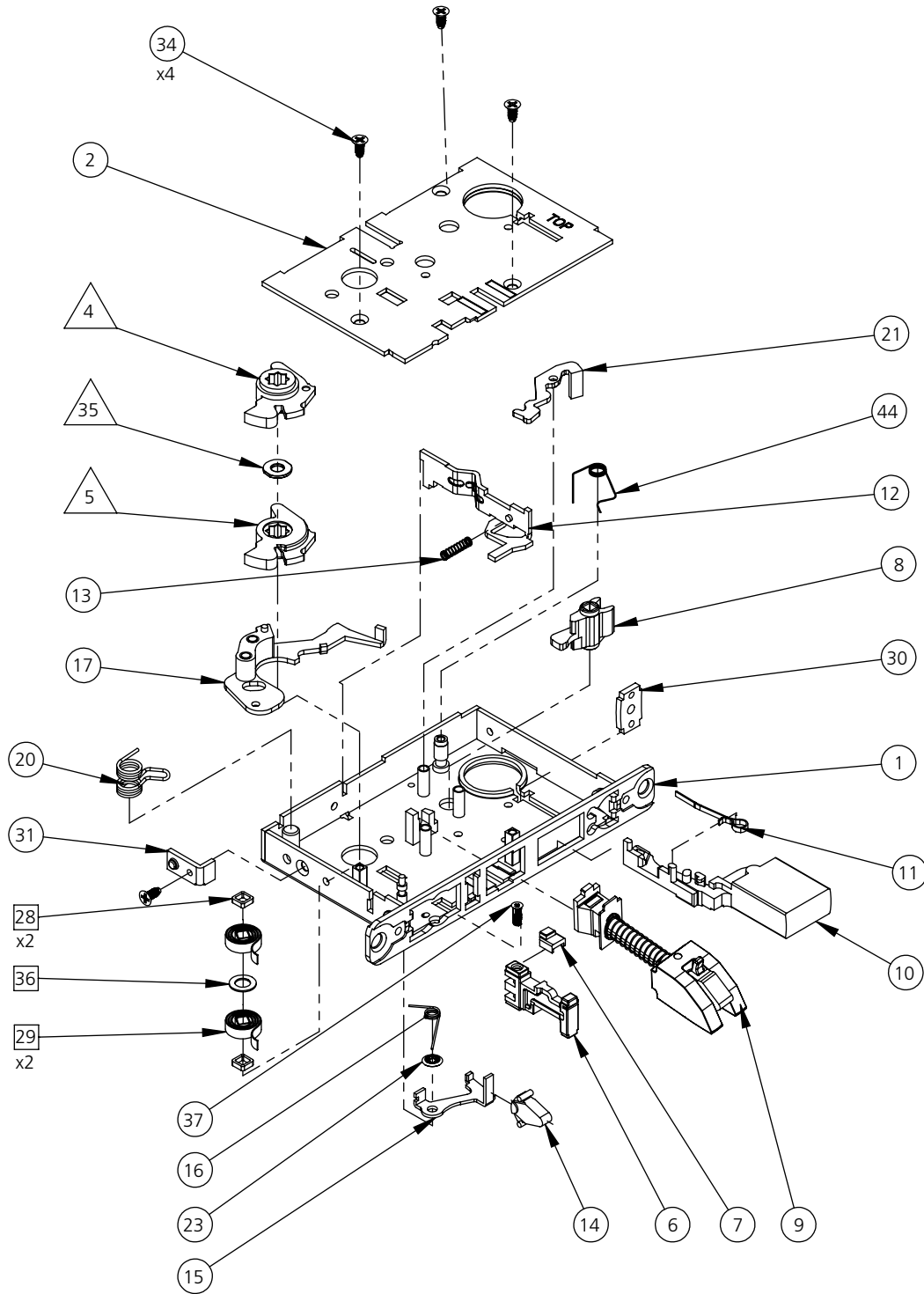
| ITEM NO.    | PART NUMBER        | DESCRIPTION                      | SELLABLE |
|-------------|--------------------|----------------------------------|----------|
| 1           | 820F268            | Case & Front SA, Standard        | No       |
| 2           | 700F278            | Cap, Case Standard               | No       |
| △ 4         | 820F068<br>853F068 | Hub (Cap Side)<br>Lever<br>Knob  | Yes      |
| △ 5         | 820F078<br>853F078 | Hub (Case Side)<br>Lever<br>Knob | Yes      |
| 6           | 853F497            | Stop                             | Yes      |
| 7           | 684F559            | Stop, Fixed                      | Yes      |
| 8           | 813F505            | Hub, Turnpiece Standard          | Yes      |
| 9           | 864F107            | Latchbolt Sub-Assembly, Standard | Yes      |
| 10          | 702F987            | Deadbolt, Standard               | Yes      |
| 11          | 701F228            | Spring, Deadbolt                 | Yes      |
| 12          | 624F488            | Lever, Deadlocking               | Yes      |
| 13          | 700F907            | Spring, Deadlocking Spring       | Yes      |
| 14          | 403F677            | Latch, Auxiliary                 | Yes      |
| 15          | 678F548            | Lever, Auxiliary                 | Yes      |
| 16          | 678F677            | Spring, Auxiliary Lever          | Yes      |
| 17          | 820F148            | Lever, Hub Assembly With Hook    | Yes      |
| 20          | 820F048            | Spring, Hub Lever                | Yes      |
| 21          | 701F748            | Lever, Cylinder Latch Lever      | Yes      |
| 23          | 436F177            | Ring, Retaining                  | Yes      |
| □ 28        | 466F229            | Spacer, Square                   | Yes      |
| □ 29        | 404F858            | Spring, Lever Return             | Yes      |
| 30          | 402F738            | Bracket, Cylinder Set Screw      | Yes      |
| 31          | 404F868            | Bracket, Align                   | Yes      |
| 34          | 684F188            | Screw, FHUM-PH-TITE #8-32 x 3/8" | Yes      |
| △ 35        | 684F119<br>853F089 | Spacer, Hub<br>Lever<br>Knob     | Yes      |
| □ 36        | 684F129            | Spacer, Clock Spring             | Yes      |
| 37          | 684F067            | Screw, Stop                      | Yes      |
| 44          | 700F957            | Spring, Cylinder Latch Lever     | Yes      |
| See page 53 | 402F30 FIN*        | Armored Front                    | Yes      |
| See page 52 | 236L72018          | Std. Strike                      | Yes      |
| See page 75 | 429F41 FIN*        | Mortise Lock Mounting Packet     | Yes      |

\*Specify finish

The warranty on Corbin Russwin products becomes void if the product is modified in any way, regardless of whether the modifications causes or contributes to any alleged defect. If a Corbin Russwin product is modified it may no longer meet industry certification and quality control standards applicable to the original product and is no longer a genuine Corbin Russwin product.

Copyright © 2000-2023, 2025, ASSA ABLOY Access and Egress Hardware Group, Inc. All rights reserved. Reproduction in whole or in part without the express written permission of ASSA ABLOY Access and Egress Hardware Group, Inc. is prohibited. Patent pending and/or patent [www.assaabloydss.com/patents](http://www.assaabloydss.com/patents).

**Hotel or Motel, Security Storeroom or Closet**



- Parts common to both lever and knob trim designs.
- Parts for lever trim designs only.
- △ Lever and knob trim designs utilize different part numbers. See table.

The warranty on Corbin Russwin products becomes void if the product is modified in any way, regardless of whether the modifications causes or contributes to any alleged defect. If a Corbin Russwin product is modified it may no longer meet industry certification and quality control standards applicable to the original product and is no longer a genuine Corbin Russwin product.

Copyright © 2000-2023, 2025, ASSA ABLOY Access and Egress Hardware Group, Inc. All rights reserved. Reproduction in whole or in part without the express written permission of ASSA ABLOY Access and Egress Hardware Group, Inc. is prohibited. Patent pending and/or patent [www.assaabloydss.com/patents](http://www.assaabloydss.com/patents).

## Privacy, Bedroom or Bathroom, Intruder Deadbolt, Dormitory or Entrance

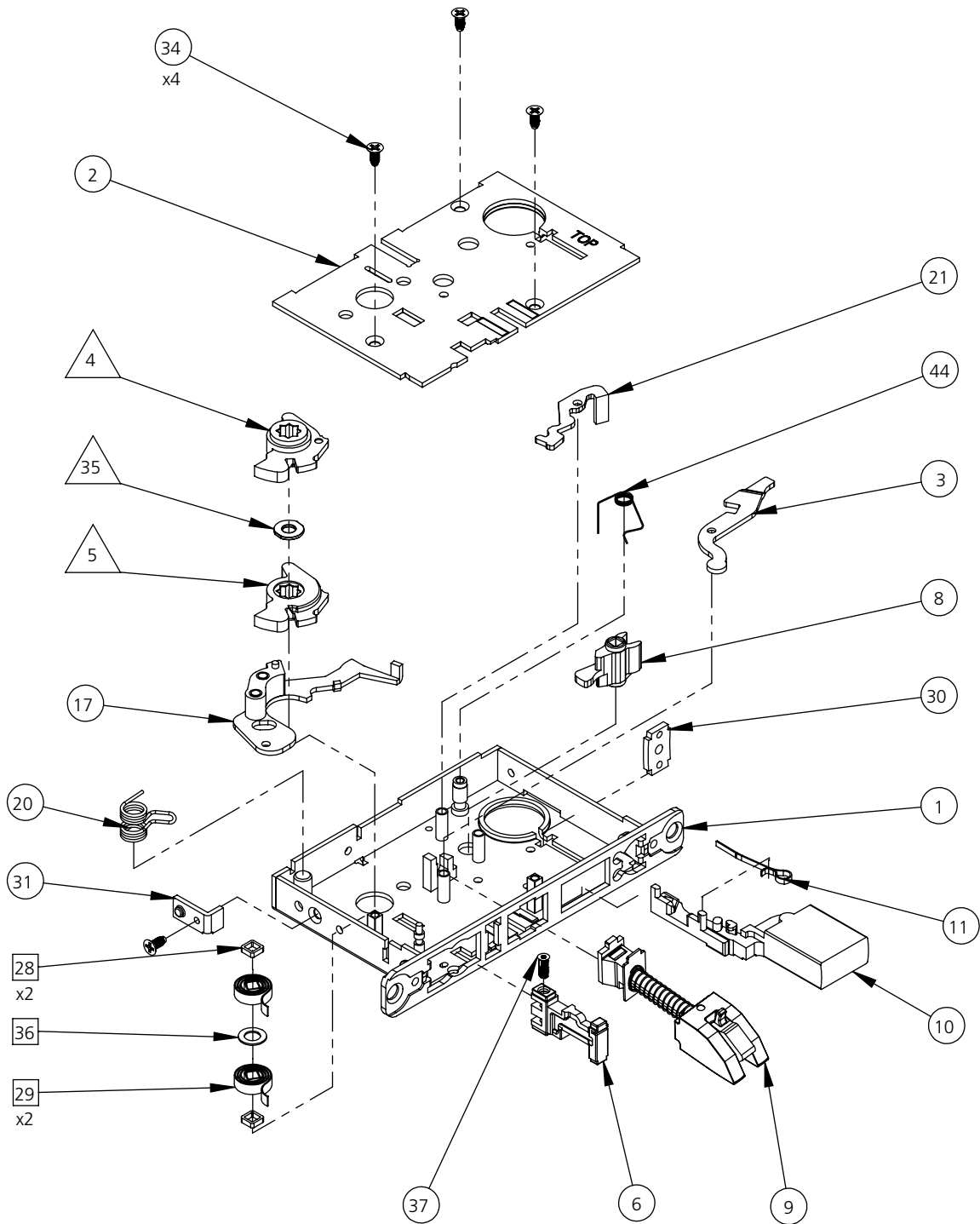
| ITEM NO.    | PART NUMBER        | DESCRIPTION   | SELLABLE |
|-------------|--------------------|---|----------|
| 1           | 820F268            | Case & Front SA, Standard   | No       |
| 2           | 700F278            | Cap, Case Standard  | No       |
| 3           | 700F708            | Lever, Stop   | Yes      |
| △ 4         | 820F068<br>853F068 | Hub (Cap Side)<br>Lever<br>Knob   | Yes      |
| △ 5         | 820F078<br>853F078 | Hub (Case Side)<br>Lever<br>Knob  | Yes      |
| 6           | 853F497            | Stop  | Yes      |
| 8           | 813F505            | Hub, Turnpiece Standard   | Yes      |
| 9           | 864F107            | Latchbolt Sub-Assembly, Standard  | Yes      |
| 10          | 702F987            | Deadbolt, Standard  | Yes      |
| 11          | 701F228            | Spring, Deadbolt  | Yes      |
| 17          | 820F148            | Lever, Hub Assembly With Hook   | Yes      |
| 20          | 820F048            | Spring, Hub Lever   | Yes      |
| 21          | 701F748            | Lever, Cylinder Latch Lever   | Yes      |
| □ 28        | 466F229            | Spacer, Square  | Yes      |
| □ 29        | 404F858            | Spring, Lever Return  | Yes      |
| 30          | 402F738            | Bracket, Cylinder Set Screw   | Yes      |
| 31          | 404F868            | Bracket, Align  | Yes      |
| 34          | 684F188            | Screw, FHUM-PH-TITE #8-32 x 3/8"  | Yes      |
| △ 35        | 684F119<br>853F089 | Spacer, Hub<br>Lever<br>Knob  | Yes      |
| □ 36        | 684F129            | Spacer, Lever Return Spring   | Yes      |
| 37          | 684F067            | Screw, Stop   | Yes      |
| 44          | 700F957            | Spring, Cylinder Latch Lever  | Yes      |
| See page 53 | 423F54 FIN*        | Armored Front   | Yes      |
| See page 52 | 236L72018          | Std. Strike   | Yes      |
| See page 75 | 429F41 FIN*        | Mortise Lock Mounting Packet<br><br>NOTE: For double cylinder functions an additional cylinder set screw is required. | Yes      |
|             | 488F088            | Cylinder Set Screw  |          |

\*Specify finish

The warranty on Corbin Russwin products becomes void if the product is modified in any way, regardless of whether the modifications causes or contributes to any alleged defect. If a Corbin Russwin product is modified it may no longer meet industry certification and quality control standards applicable to the original product and is no longer a genuine Corbin Russwin product.

Copyright © 2000-2023, 2025, ASSA ABLOY Access and Egress Hardware Group, Inc. All rights reserved. Reproduction in whole or in part without the express written permission of ASSA ABLOY Access and Egress Hardware Group, Inc. is prohibited. Patent pending and/or patent www.assaabloydss.com/patents.

**Privacy, Bedroom or Bathroom, Intruder Deadbolt, Dormitory or Entrance**



- Parts common to both lever and knob trim designs.
- Parts for lever trim designs only.
- △ Lever and knob trim designs utilize different part numbers. See table.

The warranty on Corbin Russwin products becomes void if the product is modified in any way, regardless of whether the modifications causes or contributes to any alleged defect. If a Corbin Russwin product is modified it may no longer meet industry certification and quality control standards applicable to the original product and is no longer a genuine Corbin Russwin product.

Copyright © 2000-2023, 2025, ASSA ABLOY Access and Egress Hardware Group, Inc. All rights reserved. Reproduction in whole or in part without the express written permission of ASSA ABLOY Access and Egress Hardware Group, Inc. is prohibited. Patent pending and/or patent [www.assaabloydss.com/patents](http://www.assaabloydss.com/patents).

## Institution or Utility

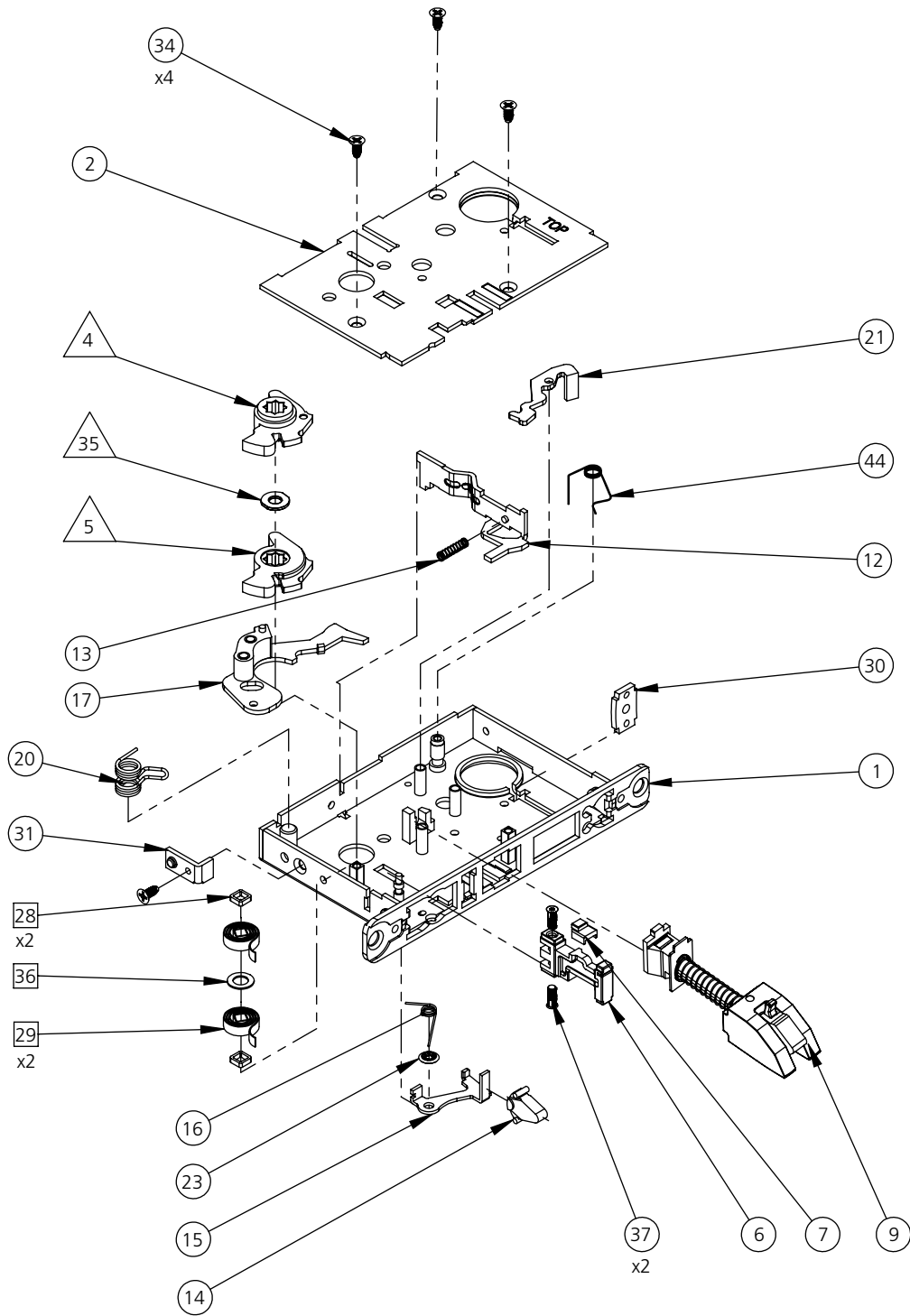
| ITEM NO.    | PART NUMBER            | DESCRIPTION   | SELLABLE |
|-------------|------------------------|---|----------|
| 1           | 820F268                | Case & Front SA, Standard   | No       |
| 2           | 700F278                | Cap, Case Standard  | No       |
| △ 4         | 820F068<br>853F068     | Hub (Cap Side)<br>Lever<br>Knob   | Yes      |
| △ 5         | 820F078<br>853F078     | Hub (Case Side)<br>Lever<br>Knob  | Yes      |
| 6           | 853F497                | Stop  | Yes      |
| 7           | 684F559                | Stop, Fixed   | Yes      |
| 9           | 864F107                | Latchbolt Sub-Assembly, Standard  | Yes      |
| 12          | 624F488                | Lever, Deadlocking  | Yes      |
| 13          | 700F907                | Spring, Deadlocking Spring  | Yes      |
| 14          | 403F677                | Latch, Auxiliary  | Yes      |
| 15          | 678F548                | Lever, Auxiliary  | Yes      |
| 16          | 678F677                | Spring, Auxiliary Lever   | Yes      |
| 17          | 820F008                | Lever, Hub Assembly   | Yes      |
| 20          | 820F048                | Spring, Hub Lever   | Yes      |
| 21          | 701F748                | Lever, Cylinder Latch Lever   | Yes      |
| 23          | 436F177                | Ring, Retaining   | Yes      |
| □ 28        | 466F229                | Spacer, Square  | Yes      |
| □ 29        | 404F858                | Spring, Lever Return  | Yes      |
| 30          | 402F738                | Bracket, Cylinder Set Screw   | Yes      |
| 31          | 404F868                | Bracket, Align  | Yes      |
| 34          | 684F188                | Screw, FHUM-PH-TITE #8-32 x 3/8"  | Yes      |
| △ 35        | 684F119<br>853F089     | Spacer, Hub<br>Lever<br>Knob  | Yes      |
| □ 36        | 684F129                | Spacer, Lever Return Spring   | Yes      |
| 37          | 684F067                | Screw, Stop   | Yes      |
| 44          | 700F957                | Spring, Cylinder Latch Lever  | Yes      |
| See page 53 | 624F49 FIN*            | Armored Front For Standard  | Yes      |
| See page 52 | 236L72018              | Std. Strike   | Yes      |
| See page 75 | 429F41 FIN*<br>488F088 | Mortise Lock Mounting Packet<br><br>NOTE: For double cylinder functions an additional cylinder set screw is required.<br><br>Cylinder Set Screw | Yes      |

\*Specify finish

The warranty on Corbin Russwin products becomes void if the product is modified in any way, regardless of whether the modifications causes or contributes to any alleged defect. If a Corbin Russwin product is modified it may no longer meet industry certification and quality control standards applicable to the original product and is no longer a genuine Corbin Russwin product.

Copyright © 2000-2023, 2025, ASSA ABLOY Access and Egress Hardware Group, Inc. All rights reserved. Reproduction in whole or in part without the express written permission of ASSA ABLOY Access and Egress Hardware Group, Inc. is prohibited. Patent pending and/or patent [www.assaabloydss.com/patents](http://www.assaabloydss.com/patents).

Institution or Utility



- Parts common to both lever and knob trim designs.
- Parts for lever trim designs only.
- △ Lever and knob trim designs utilize different part numbers. See table.

The warranty on Corbin Russwin products becomes void if the product is modified in any way, regardless of whether the modifications causes or contributes to any alleged defect. If a Corbin Russwin product is modified it may no longer meet industry certification and quality control standards applicable to the original product and is no longer a genuine Corbin Russwin product.

Copyright © 2000-2023, 2025, ASSA ABLOY Access and Egress Hardware Group, Inc. All rights reserved. Reproduction in whole or in part without the express written permission of ASSA ABLOY Access and Egress Hardware Group, Inc. is prohibited. Patent pending and/or patent [www.assaabloydss.com/patents](http://www.assaabloydss.com/patents).

## Passage with Indicator

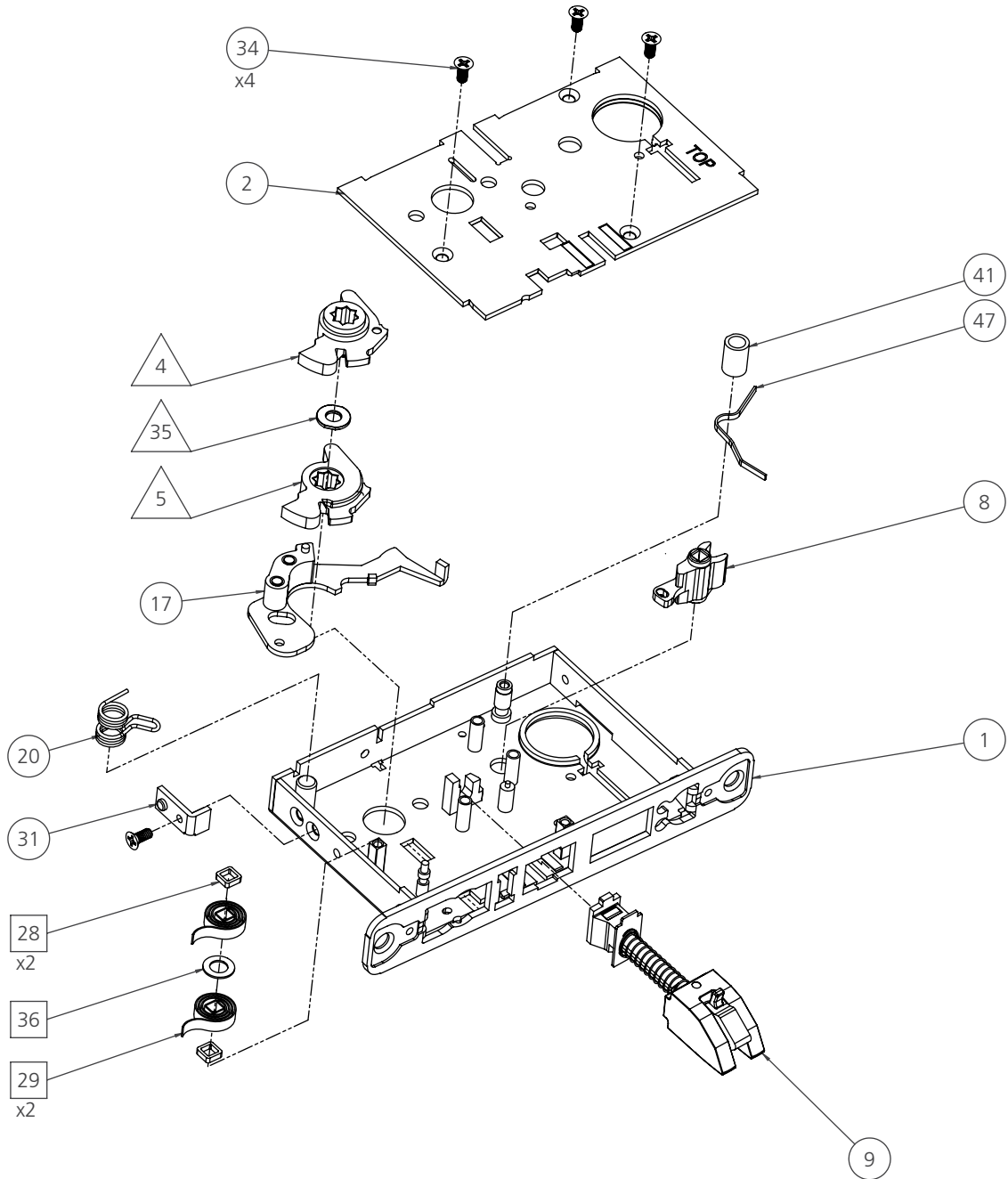
| ITEM NO.    | PART NUMBER | DESCRIPTION                      | SELLABLE |
|-------------|-------------|----------------------------------|----------|
| 1           | 820F268     | Case & Front SA, Func. 60/68     | No       |
| 2           | 700F278     | Cap, Case Standard               | No       |
| △ 4         | 820F068     | Hub (Cap Side)<br>Lever          | Yes      |
|             | 853F068     | Knob                             |          |
| △ 5         | 820F078     | Hub (Case Side)<br>Lever         | Yes      |
|             | 853F078     | Knob                             |          |
| 8           | 813F505     | Hub, Turnpiece Func. 60/68       | Yes      |
| 9           | 864F107     | Latchbolt Sub-Assembly, Standard | Yes      |
| 17          | 820F148     | Lever, Hub Assembly With Hook    | Yes      |
| 20          | 820F048     | Spring, Hub Lever                | Yes      |
| □ 28        | 466F229     | Spacer, Square                   | Yes      |
| □ 29        | 404F858     | Spring, Lever Return             | Yes      |
| 31          | 404F868     | Bracket, Align                   | Yes      |
| 34          | 684F188     | Screw, FHUM-PH-TITE #8-32 x 3/8" | Yes      |
| △ 35        | 684F119     | Spacer, Hub<br>Lever             | Yes      |
|             | 853F089     | Knob                             |          |
| □ 36        | 684F129     | Spacer, Lever Return Spring      | Yes      |
| 41          | 624F439     | Spacer, Tall                     | Yes      |
| 47          | 864F147     | Spring, Turn-Piece Hub           | Yes      |
| See page 53 | 423F55 FIN* | Armored Front                    | Yes      |
| See page 52 | 236L72018   | Std. Strike                      | Yes      |
| See page 75 | 429F41 FIN* | Mortise Lock Mounting Packet     | Yes      |

\*Specify finish

The warranty on Corbin Russwin products becomes void if the product is modified in any way, regardless of whether the modifications causes or contributes to any alleged defect. If a Corbin Russwin product is modified it may no longer meet industry certification and quality control standards applicable to the original product and is no longer a genuine Corbin Russwin product.

Copyright © 2000-2023, 2025, ASSA ABLOY Access and Egress Hardware Group, Inc. All rights reserved. Reproduction in whole or in part without the express written permission of ASSA ABLOY Access and Egress Hardware Group, Inc. is prohibited. Patent pending and/or patent [www.assaabloydss.com/patents](http://www.assaabloydss.com/patents).

Passage with Indicator



The warranty on Corbin Russwin products becomes void if the product is modified in any way, regardless of whether the modifications causes or contributes to any alleged defect. If a Corbin Russwin product is modified it may no longer meet industry certification and quality control standards applicable to the original product and is no longer a genuine Corbin Russwin product.

Copyright © 2000-2023, 2025, ASSA ABLOY Access and Egress Hardware Group, Inc. All rights reserved. Reproduction in whole or in part without the express written permission of ASSA ABLOY Access and Egress Hardware Group, Inc. is prohibited. Patent pending and/or patent [www.assaabloydss.com/patents](http://www.assaabloydss.com/patents).

**Entrance or Public Restroom, Classroom Intruder, Entrance or Office, Classroom Multi-Function Lock**

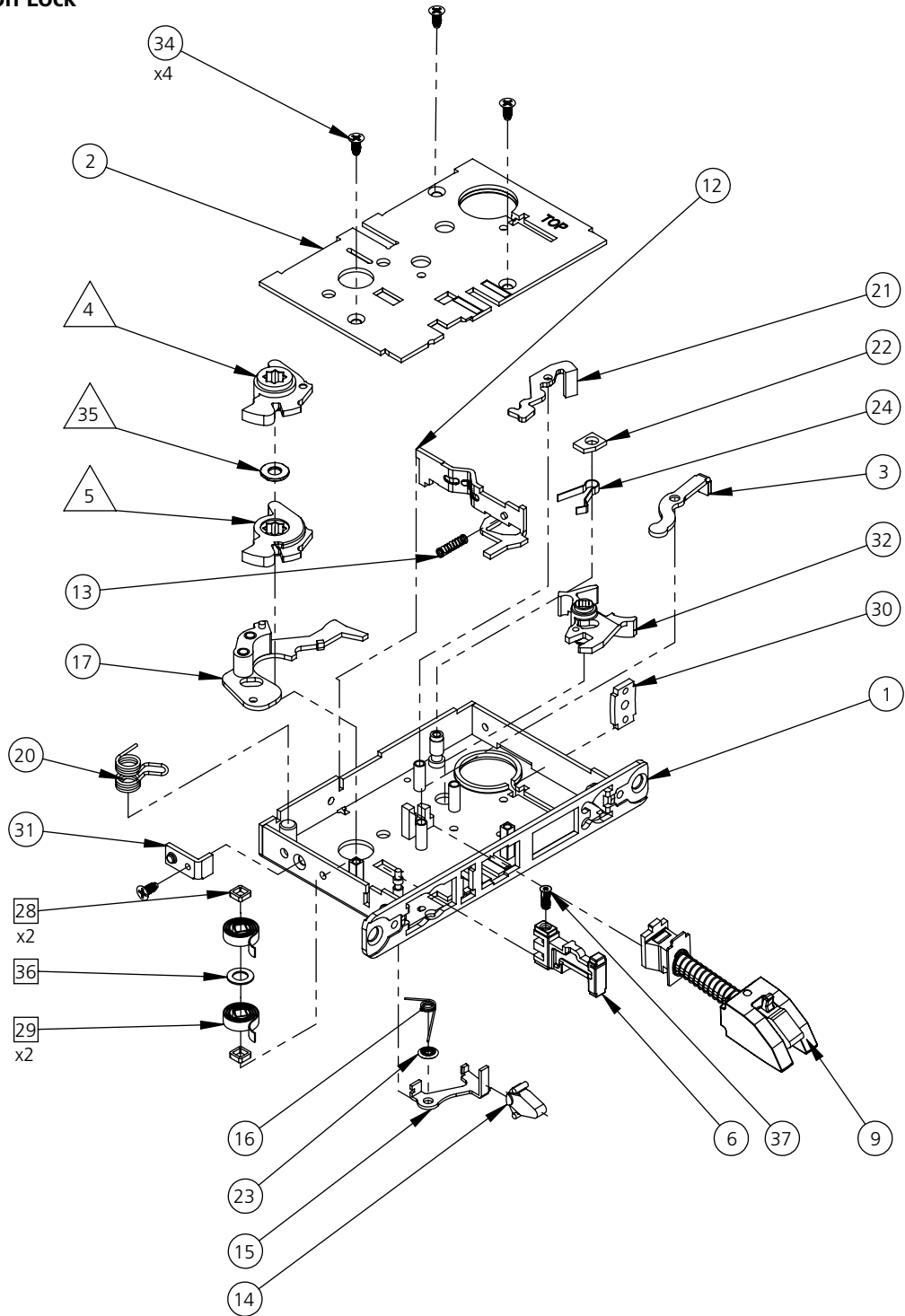
| ITEM NO.    | PART NUMBER | DESCRIPTION   | SELLABLE |
|-------------|-------------|---|----------|
| 1           | 820F268     | Case & Front SA, Standard   | No       |
| 2           | 700F278     | Cap, Case Standard  | No       |
| 3           | 681F448     | Lever, Stop   | Yes      |
| △ 4         | 820F068     | Hub (Cap Side)<br>Lever   | Yes      |
|             | 853F068     | Knob  |          |
| △ 5         | 820F078     | Hub (Case Side)<br>Lever  | Yes      |
|             | 853F078     | Knob  |          |
| 6           | 853F497     | Stop  | Yes      |
| 9           | 864F107     | Latchbolt Sub-Assembly, Standard  | Yes      |
| 12          | 624F488     | Lever, Deadlocking  | Yes      |
| 13          | 700F907     | Spring, Deadlocking Spring  | Yes      |
| 14          | 403F677     | Latch, Auxiliary  | Yes      |
| 15          | 678F548     | Lever, Auxiliary  | Yes      |
| 16          | 678F677     | Spring, Auxiliary Lever   | Yes      |
| 17          | 820F008     | Lever, Hub Assembly   | Yes      |
| 20          | 820F048     | Spring, Hub Lever   | Yes      |
| 21          | 701F748     | Lever, Cylinder Latch Lever   | Yes      |
| 22          | 705F949     | Stop, Cylinder Latch Lever  | Yes      |
| 23          | 436F177     | Ring, Retaining   | Yes      |
| 24          | 685F387     | Spring, Stop  | Yes      |
| 28          | 466F229     | Spacer, Square  | Yes      |
| □ 29        | 404F858     | Spring, Lever Return  | Yes      |
| □ 30        | 402F738     | Bracket, Cylinder Set Screw   | Yes      |
| 31          | 404F868     | Bracket, Align  | Yes      |
| 32          | 701F705     | Hub, Turnpiece Large  | Yes      |
| 34          | 684F188     | Screw, FHUM-PH-TITE #8-32 x 3/8"  | Yes      |
| △ 35        | 684F119     | Spacer, Hub<br>Lever  | Yes      |
|             | 853F089     | Knob  |          |
| □ 36        | 684F129     | Spacer, Lever Return Spring   | Yes      |
| 37          | 684F067     | Screw, Stop   | Yes      |
| See page 53 | 624F49 FIN* | Armored Front   | Yes      |
| See page 52 | 236L72018   | Std. Strike   | Yes      |
| See page 75 | 429F41 FIN* | Mortise Lock Mounting Packet<br><br>NOTE: For double cylinder functions an additional cylinder set screw is required. | Yes      |
|             | 488F088     | Cylinder Set Screw  |          |

\*Specify finish

The warranty on Corbin Russwin products becomes void if the product is modified in any way, regardless of whether the modifications causes or contributes to any alleged defect. If a Corbin Russwin product is modified it may no longer meet industry certification and quality control standards applicable to the original product and is no longer a genuine Corbin Russwin product.

Copyright © 2000-2023, 2025, ASSA ABLOY Access and Egress Hardware Group, Inc. All rights reserved. Reproduction in whole or in part without the express written permission of ASSA ABLOY Access and Egress Hardware Group, Inc. is prohibited. Patent pending and/or patent [www.assaabloydss.com/patents](http://www.assaabloydss.com/patents).

**Entrance or Public Restroom, Classroom Intruder, Entrance or Office, Classroom  
Multi-Function Lock**



- Parts common to both lever and knob trim designs.
- Parts for lever trim designs only.
- △ Lever and knob trim designs utilize different part numbers. See table.

The warranty on Corbin Russwin products becomes void if the product is modified in any way, regardless of whether the modifications causes or contributes to any alleged defect. If a Corbin Russwin product is modified it may no longer meet industry certification and quality control standards applicable to the original product and is no longer a genuine Corbin Russwin product.

Copyright © 2000-2023, 2025, ASSA ABLOY Access and Egress Hardware Group, Inc. All rights reserved. Reproduction in whole or in part without the express written permission of ASSA ABLOY Access and Egress Hardware Group, Inc. is prohibited. Patent pending and/or patent [www.assaabloydss.com/patents](http://www.assaabloydss.com/patents).

## Entrance or Apartment

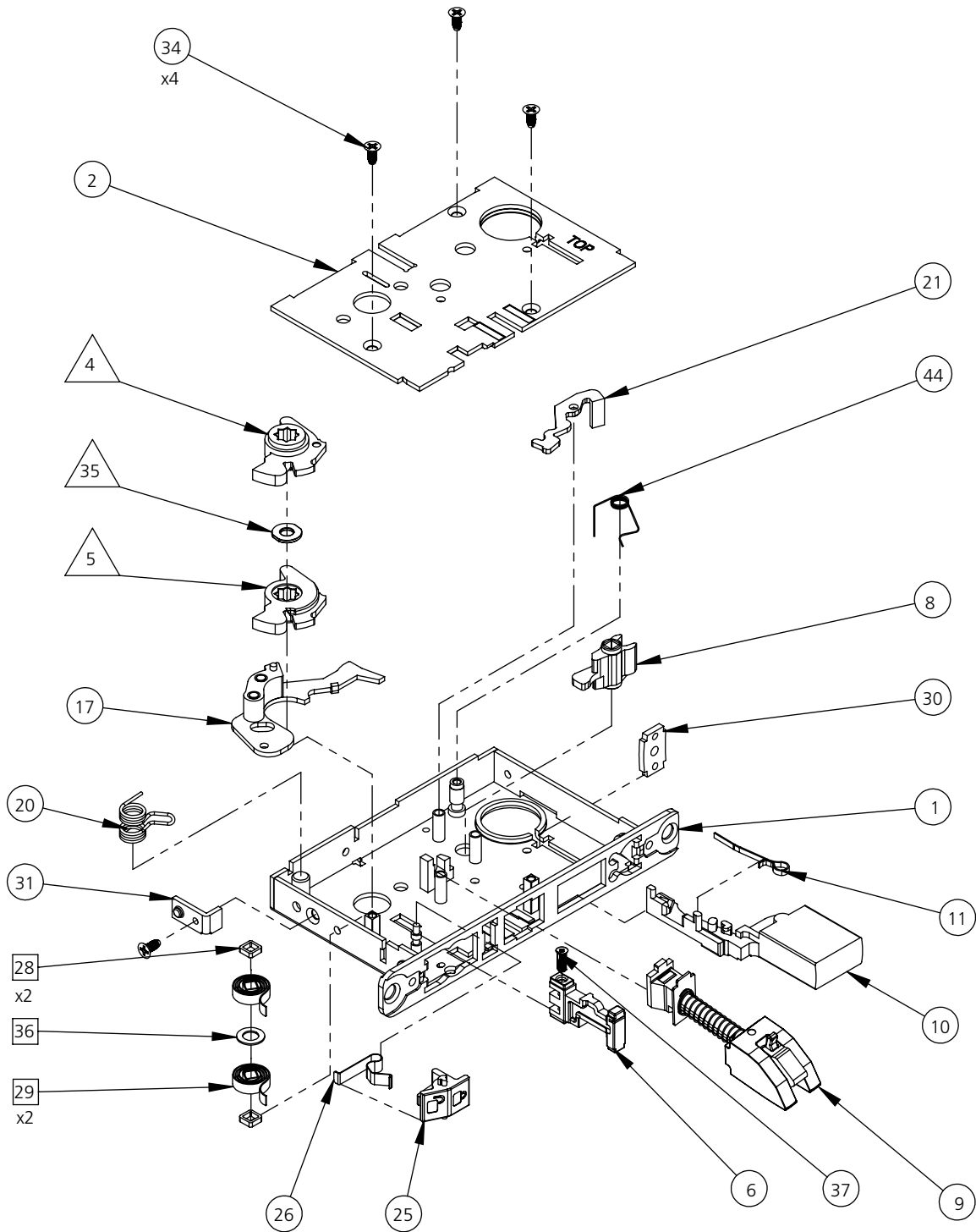
| ITEM NO.    | PART NUMBER | DESCRIPTION                      | SELLABLE |
|-------------|-------------|----------------------------------|----------|
| 1           | 820F268     | Case & Front SA, Standard        | No       |
| 2           | 700F278     | Cap, Case Standard               | No       |
| △ 4         | 820F068     | Hub (Cap Side)<br>Lever          | Yes      |
|             | 853F068     | Knob                             |          |
| △ 5         | 820F078     | Hub (Case Side)<br>Lever         | Yes      |
|             | 853F078     | Knob                             |          |
| 6           | 853F497     | Stop                             | Yes      |
| 8           | 813F505     | Hub, Turnpiece Standard          | Yes      |
| 9           | 864F107     | Latchbolt Sub-Assembly, Standard | Yes      |
| 10          | 702F987     | Deadbolt, Standard               | Yes      |
| 11          | 701F228     | Spring, Deadbolt                 | Yes      |
| 17          | 820F008     | Lever, Hub Assembly              | Yes      |
| 20          | 820F048     | Spring, Hub Lever                | Yes      |
| 21          | 701F748     | Lever, Cylinder Latch Lever      | Yes      |
| 25          | 851F617     | Toggle                           | Yes      |
| 26          | 857F478     | Spring, Toggle                   | Yes      |
| □ 28        | 466F229     | Spacer, Square                   | Yes      |
| □ 29        | 404F858     | Spring, Lever Return             | Yes      |
| 30          | 402F738     | Bracket, Cylinder Set Screw      | Yes      |
| 31          | 404F868     | Bracket, Align                   | Yes      |
| 34          | 684F188     | Screw, FHUM-PH-TITE #8-32 x 3/8" | Yes      |
| △ 35        | 684F119     | Spacer, Hub<br>Lever             | Yes      |
|             | 853F089     | Knob                             |          |
| □ 36        | 684F129     | Spacer, Lever Return Spring      | Yes      |
| 37          | 684F067     | Screw, Stop                      | Yes      |
| 44          | 700F957     | Spring, Cylinder Latch Lever     | Yes      |
| See page 53 | 402F31 FIN* | Armored Front                    | Yes      |
| See page 52 | 236L72018   | Std. Strike                      | Yes      |
| See page 75 | 429F41 FIN* | Mortise Lock Mounting Packet     | Yes      |

\*Specify finish

The warranty on Corbin Russwin products becomes void if the product is modified in any way, regardless of whether the modifications causes or contributes to any alleged defect. If a Corbin Russwin product is modified it may no longer meet industry certification and quality control standards applicable to the original product and is no longer a genuine Corbin Russwin product.

Copyright © 2000-2023, 2025, ASSA ABLOY Access and Egress Hardware Group, Inc. All rights reserved. Reproduction in whole or in part without the express written permission of ASSA ABLOY Access and Egress Hardware Group, Inc. is prohibited. Patent pending and/or patent [www.assaabloydss.com/patents](http://www.assaabloydss.com/patents).

Entrance or Apartment



- Parts common to both lever and knob trim designs.
- Parts for lever trim designs only.
- △ Lever and knob trim designs utilize different part numbers. See table.

The warranty on Corbin Russwin products becomes void if the product is modified in any way, regardless of whether the modifications causes or contributes to any alleged defect. If a Corbin Russwin product is modified it may no longer meet industry certification and quality control standards applicable to the original product and is no longer a genuine Corbin Russwin product.

Copyright © 2000-2023, 2025, ASSA ABLOY Access and Egress Hardware Group, Inc. All rights reserved. Reproduction in whole or in part without the express written permission of ASSA ABLOY Access and Egress Hardware Group, Inc. is prohibited. Patent pending and/or patent [www.assaabloydss.com/patents](http://www.assaabloydss.com/patents).

## Entrance or Office

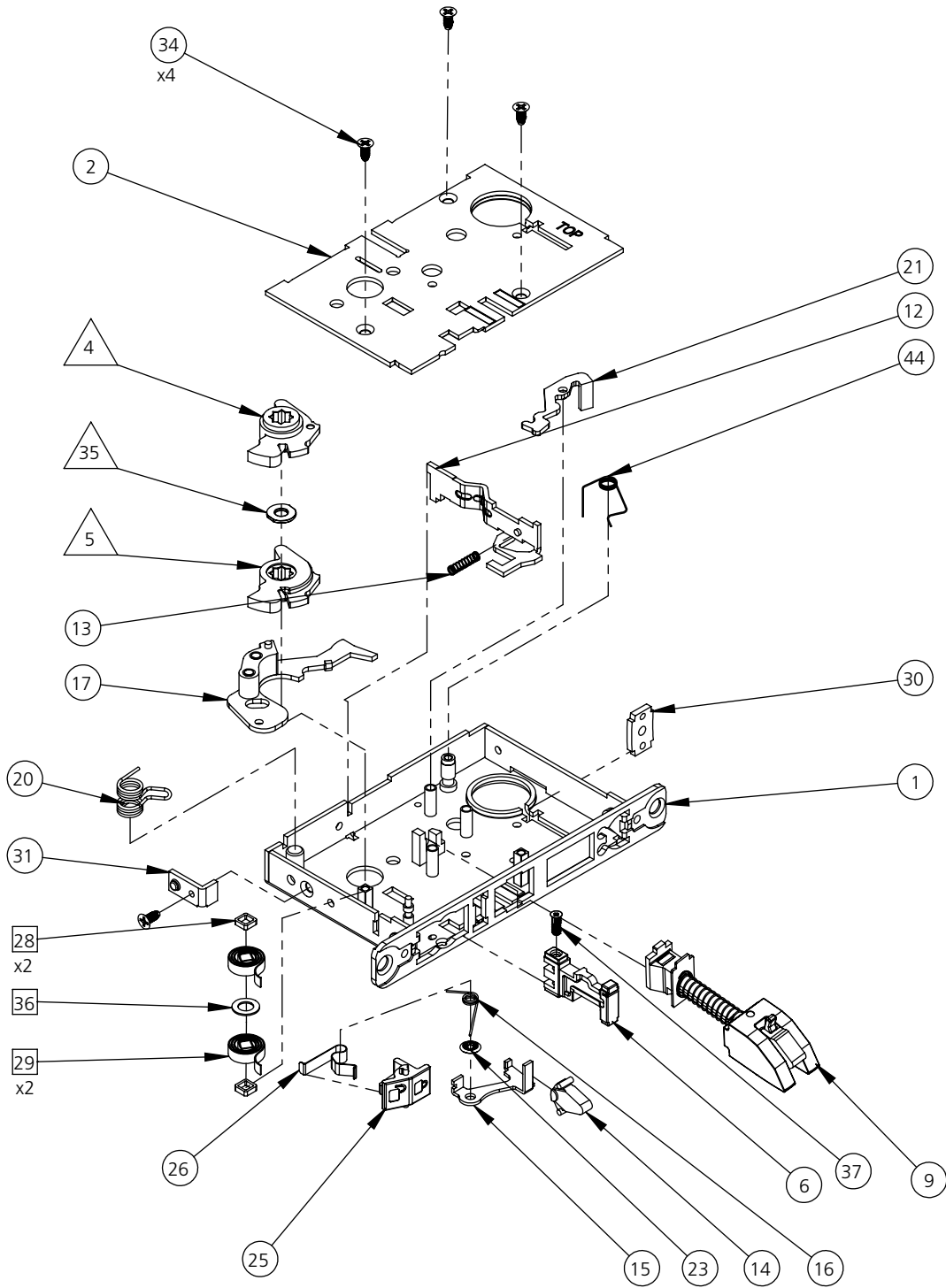
| ITEM NO.    | PART NUMBER        | DESCRIPTION                      | SELLABLE |
|-------------|--------------------|----------------------------------|----------|
| 1           | 820F268            | Case & Front SA, Standard        | No       |
| 2           | 700F278            | Cap, Case Standard               | No       |
| △ 4         | 820F068<br>853F068 | Hub (Cap Side)<br>Lever<br>Knob  | Yes      |
| △ 5         | 820F078<br>853F078 | Hub (Case Side)<br>Lever<br>Knob | Yes      |
| 6           | 853F497            | Stop                             | Yes      |
| 9           | 864F107            | Latchbolt Sub-Assembly, Standard | Yes      |
| 12          | 602F198            | Lever, Deadlocking               | Yes      |
| 13          | 700F907            | Spring, Deadlocking Spring       | Yes      |
| 14          | 403F677            | Latch, Axuiliary                 | Yes      |
| 15          | 678F548            | Lever, Auxiliary                 | Yes      |
| 16          | 678F677            | Spring, Auxiliary Lever          | Yes      |
| 17          | 820F008            | Lever, Hub Assembly              | Yes      |
| 20          | 820F048            | Spring, Hub Lever                | Yes      |
| 21          | 701F748            | Lever, Cylinder Latch Lever      | Yes      |
| 23          | 436F177            | Ring, Retaining                  | Yes      |
| 25          | 851F617            | Toggle                           | Yes      |
| 26          | 857F478            | Spring, Toggle                   | Yes      |
| □ 28        | 466F229            | Spacer, Square                   | Yes      |
| □ 29        | 404F858            | Spring, Lever Return             | Yes      |
| 31          | 404F868            | Bracket, Align                   | Yes      |
| 30          | 402F738            | Bracket, Cylinder Set Screw      | Yes      |
| 34          | 684F188            | Screw, FHUM-PH-TITE #8-32 x 3/8" | Yes      |
| △ 35        | 684F119<br>853F089 | Spacer, Hub<br>Lever<br>Knob     | Yes      |
| □ 36        | 684F129            | Spacer, Lever Return Spring      | Yes      |
| 37          | 684F067            | Screw, Stop                      | Yes      |
| 44          | 700F957            | Spring, Cylinder Latch Lever     | Yes      |
| See page 53 | 681F31 FIN*        | Armored Front                    | Yes      |
| See page 52 | 236L72018          | Std. Strike                      | Yes      |
| See page 75 | 429F41 FIN*        | Mortise Lock Mounting Packet     | Yes      |

\*Specify finish

The warranty on Corbin Russwin products becomes void if the product is modified in any way, regardless of whether the modifications causes or contributes to any alleged defect. If a Corbin Russwin product is modified it may no longer meet industry certification and quality control standards applicable to the original product and is no longer a genuine Corbin Russwin product.

Copyright © 2000-2023, 2025, ASSA ABLOY Access and Egress Hardware Group, Inc. All rights reserved. Reproduction in whole or in part without the express written permission of ASSA ABLOY Access and Egress Hardware Group, Inc. is prohibited. Patent pending and/or patent [www.assaabloydss.com/patents](http://www.assaabloydss.com/patents).

Entrance or Office



- Parts common to both lever and knob trim designs.
- Parts for lever trim designs only.
- △ Lever and knob trim designs utilize different part numbers. See table.

The warranty on Corbin Russwin products becomes void if the product is modified in any way, regardless of whether the modifications causes or contribute Corbin Russwin product is modified it may no longer meet industry certification and quality control standards applicable to the original product and is no lo

Copyright © 2000-2023, 2025, ASSA ABLOY Access and Egress Hardware Group, Inc. All rights reserved. Reproduction in whole or in part without the express written permission of ASSA ABLOY Access and Egress Hardware Group, Inc. is prohibited. Patent pending and/or patent [www.assaabloydss.com/patents](http://www.assaabloydss.com/patents).

## Classroom Holdback, Entrance or Office Holdback

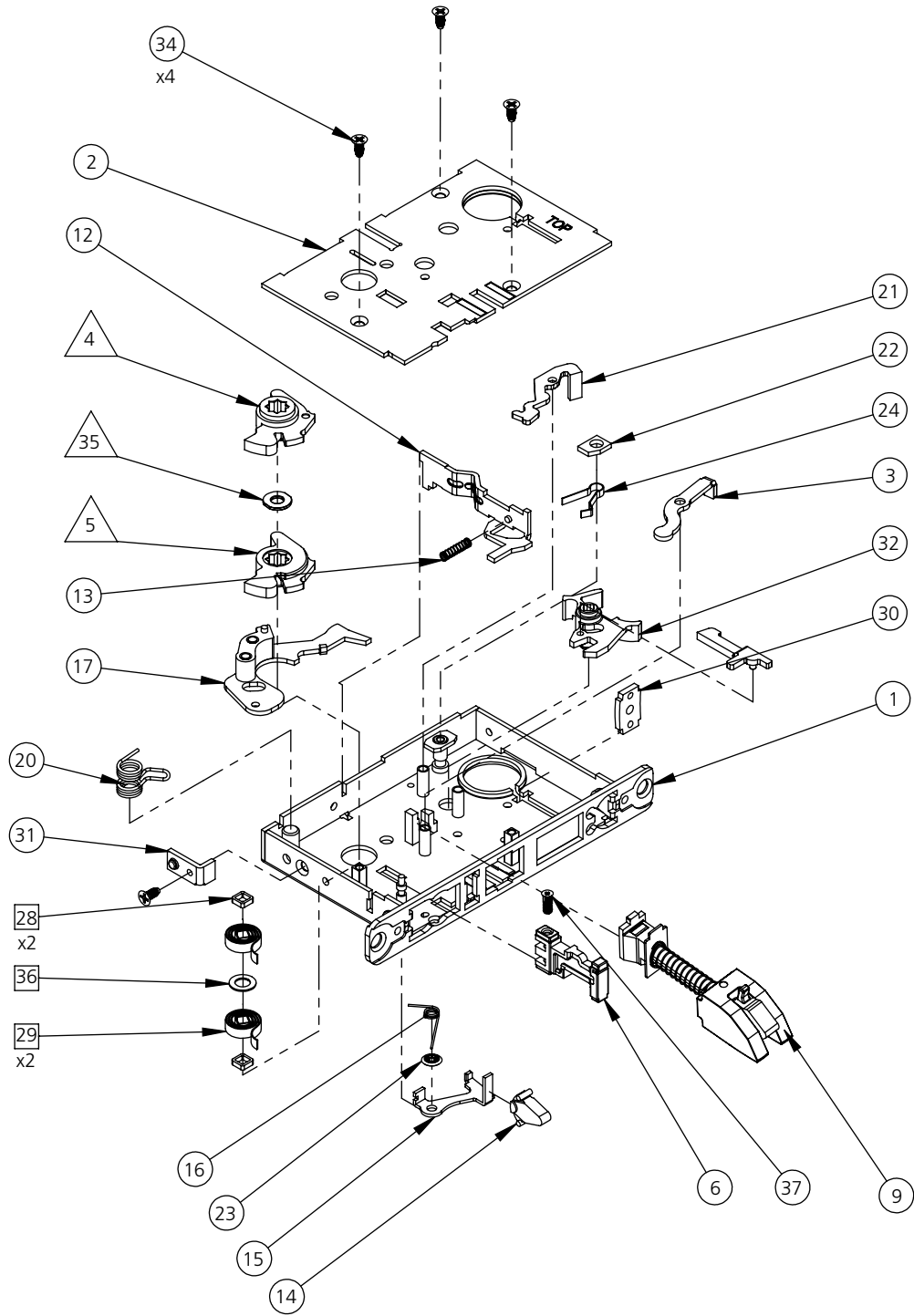
| ITEM NO.    | PART NUMBER | DESCRIPTION                      | SELLABLE |
|-------------|-------------|----------------------------------|----------|
| 1           | 820F268     | Case & Front SA, Standard        | No       |
| 2           | 700F278     | Cap, Case Standard               | No       |
| 3           | 681F448     | Lever, Stop                      | Yes      |
| △ 4         | 820F068     | Hub (Cap Side)<br>Lever          | Yes      |
|             | 853F068     | Knob                             |          |
| △ 5         | 820F078     | Hub (Case Side)<br>Lever         | Yes      |
|             | 853F078     | Knob                             |          |
| 6           | 853F497     | Stop                             | Yes      |
| 9           | 864F107     | Latchbolt Sub-Assembly, Standard | Yes      |
| 12          | 624F488     | Lever, Deadlocking               | Yes      |
| 13          | 700F907     | Spring, Deadlocking Spring       | Yes      |
| 14          | 403F677     | Latch, Auxiliary                 | Yes      |
| 15          | 678F548     | Lever, Auxiliary                 | Yes      |
| 16          | 678F677     | Spring, Auxiliary Lever          | Yes      |
| 17          | 820F008     | Lever, Hub Assembly              | Yes      |
| 20          | 820F048     | Spring, Hub Lever                | Yes      |
| 21          | 701F748     | Lever, Cylinder Latch Lever      | Yes      |
| 22          | 705F949     | Stop, Cylinder Latch Lever       | Yes      |
| 23          | 436F177     | Ring, Retaining                  | Yes      |
| 24          | 685F387     | Spring, Stop                     | Yes      |
| □ 28        | 466F229     | Spacer, Square                   | Yes      |
| □ 29        | 404F858     | Spring, Lever Return             | Yes      |
| 30          | 402F738     | Bracket, Cylinder Set Screw      | Yes      |
| 31          | 404F868     | Bracket, Align                   | Yes      |
| 32          | 701F705     | Hub, Turnpiece Large             | Yes      |
| 34          | 684F188     | Screw, FHUM-PH-TITE #8-32 x 3/8" | Yes      |
| △ 35        | 684F119     | Spacer, Hub<br>Lever             | Yes      |
|             | 853F089     | Knob                             |          |
| □ 36        | 684F129     | Spacer, Lever Return Spring      | Yes      |
| 37          | 684F067     | Screw, Stop                      | Yes      |
| 39          | 701F565     | Lever, Latch Hold Back           | Yes      |
| See page 53 | 681F34 FIN* | Armored Front                    | Yes      |
| See page 52 | 236L72018   | Std. Strike                      | Yes      |
| See page 75 | 429F41 FIN* | Mortise Lock Mounting Packet     | Yes      |

\*Specify finish

The warranty on Corbin Russwin products becomes void if the product is modified in any way, regardless of whether the modifications causes or contributes to any alleged defect. If a Corbin Russwin product is modified it may no longer meet industry certification and quality control standards applicable to the original product and is no longer a genuine Corbin Russwin product.

Copyright © 2000-2023, 2025, ASSA ABLOY Access and Egress Hardware Group, Inc. All rights reserved. Reproduction in whole or in part without the express written permission of ASSA ABLOY Access and Egress Hardware Group, Inc. is prohibited. Patent pending and/or patent [www.assaabloydss.com/patents](http://www.assaabloydss.com/patents).

**Classroom Holdback, Entrance or Office Holdback**



- Parts common to both lever and knob trim designs.
- Parts for lever trim designs only.
- △ Lever and knob trim designs utilize different part numbers. See table.

The warranty on Corbin Russwin products becomes void if the product is modified in any way, regardless of whether the modifications causes or contributes to any alleged defect. If a Corbin Russwin product is modified it may no longer meet industry certification and quality control standards applicable to the original product and is no longer a genuine Corbin Russwin product.

Copyright © 2000-2023, 2025, ASSA ABLOY Access and Egress Hardware Group, Inc. All rights reserved. Reproduction in whole or in part without the express written permission of ASSA ABLOY Access and Egress Hardware Group, Inc. is prohibited. Patent pending and/or patent [www.assaabloydss.com/patents](http://www.assaabloydss.com/patents).

## Storeroom or Closet

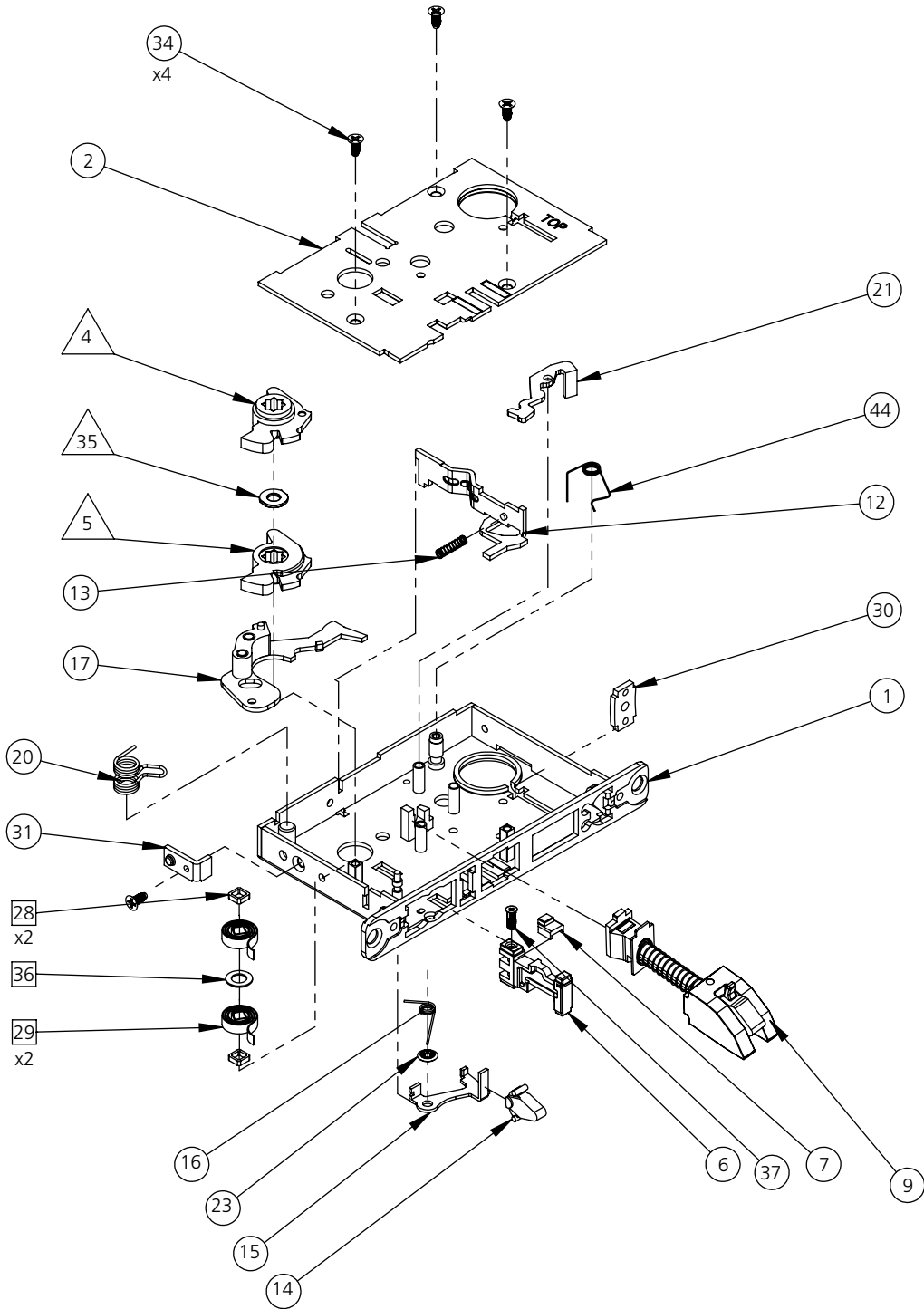
| ITEM NO.    | PART NUMBER        | DESCRIPTION                      | SELLABLE |
|-------------|--------------------|----------------------------------|----------|
| 1           | 820F268            | Case & Front SA, Standard        | No       |
| 2           | 700F278            | Cap, Case Standard               | No       |
| △ 4         | 820F068<br>853F068 | Hub (Cap Side)<br>Lever<br>Knob  | Yes      |
| △ 5         | 820F078<br>853F078 | Hub (Case Side)<br>Lever<br>Knob | Yes      |
| 6           | 853F497            | Stop                             | Yes      |
| 7           | 684F559            | Stop, Fixed                      | Yes      |
| 9           | 864F107            | Latchbolt Sub-Assembly, Standard | Yes      |
| 12          | 624F488            | Lever, Deadlocking               | Yes      |
| 13          | 700F907            | Spring, Deadlocking Spring       | Yes      |
| 14          | 403F677            | Latch, Auxiliary                 | Yes      |
| 15          | 678F548            | Lever, Auxiliary                 | Yes      |
| 16          | 678F677            | Spring, Auxiliary Lever          | Yes      |
| 17          | 820F008            | Lever, Hub Assembly              | Yes      |
| 20          | 820F048            | Spring, Hub Lever                | Yes      |
| 21          | 701F748            | Lever, Cylinder Latch Lever      | Yes      |
| □ 28        | 466F229            | Spacer, Square                   | Yes      |
| □ 29        | 404F858            | Spring, Lever Return             | Yes      |
| 23          | 436F177            | Ring, Retaining                  | Yes      |
| 30          | 402F738            | Bracket, Cylinder Set Screw      | Yes      |
| 31          | 404F868            | Bracket, Align                   | Yes      |
| 34          | 684F188            | Screw, FHUM-PH-TITE #8-32 x 3/8" | Yes      |
| △ 35        | 684F119<br>853F089 | Spacer, Hub<br>Lever<br>Knob     | Yes      |
| □ 36        | 684F129            | Spacer, Lever Return Spring      | Yes      |
| 37          | 684F067            | Screw, Stop                      | Yes      |
| 44          | 700F957            | Spring, Cylinder Latch Lever     | Yes      |
| See page 53 | 624F49 FIN*        | Armored Front                    | Yes      |
| See page 52 | 236L72018          | Std. Strike                      | Yes      |
| See page 75 | 429F41 FIN*        | Mortise Lock Mounting Packet     | Yes      |

\*Specify finish

The warranty on Corbin Russwin products becomes void if the product is modified in any way, regardless of whether the modifications causes or contributes to any alleged defect. If a Corbin Russwin product is modified it may no longer meet industry certification and quality control standards applicable to the original product and is no longer a genuine Corbin Russwin product.

Copyright © 2000-2023, 2025, ASSA ABLOY Access and Egress Hardware Group, Inc. All rights reserved. Reproduction in whole or in part without the express written permission of ASSA ABLOY Access and Egress Hardware Group, Inc. is prohibited. Patent pending and/or patent [www.assaabloydss.com/patents](http://www.assaabloydss.com/patents).

Storeroom or Closet



- Parts common to both lever and knob trim designs.
- Parts for lever trim designs only.
- △ Lever and knob trim designs utilize different part numbers. See table.

The warranty on Corbin Russwin products becomes void if the product is modified in any way, regardless of whether the modifications causes or contributes to any alleged defect. If a Corbin Russwin product is modified it may no longer meet industry certification and quality control standards applicable to the original product and is no longer a genuine Corbin Russwin product.

Copyright © 2000-2023, 2025, ASSA ABLOY Access and Egress Hardware Group, Inc. All rights reserved. Reproduction in whole or in part without the express written permission of ASSA ABLOY Access and Egress Hardware Group, Inc. is prohibited. Patent pending and/or patent [www.assaabloydss.com/patents](http://www.assaabloydss.com/patents).

## Privacy

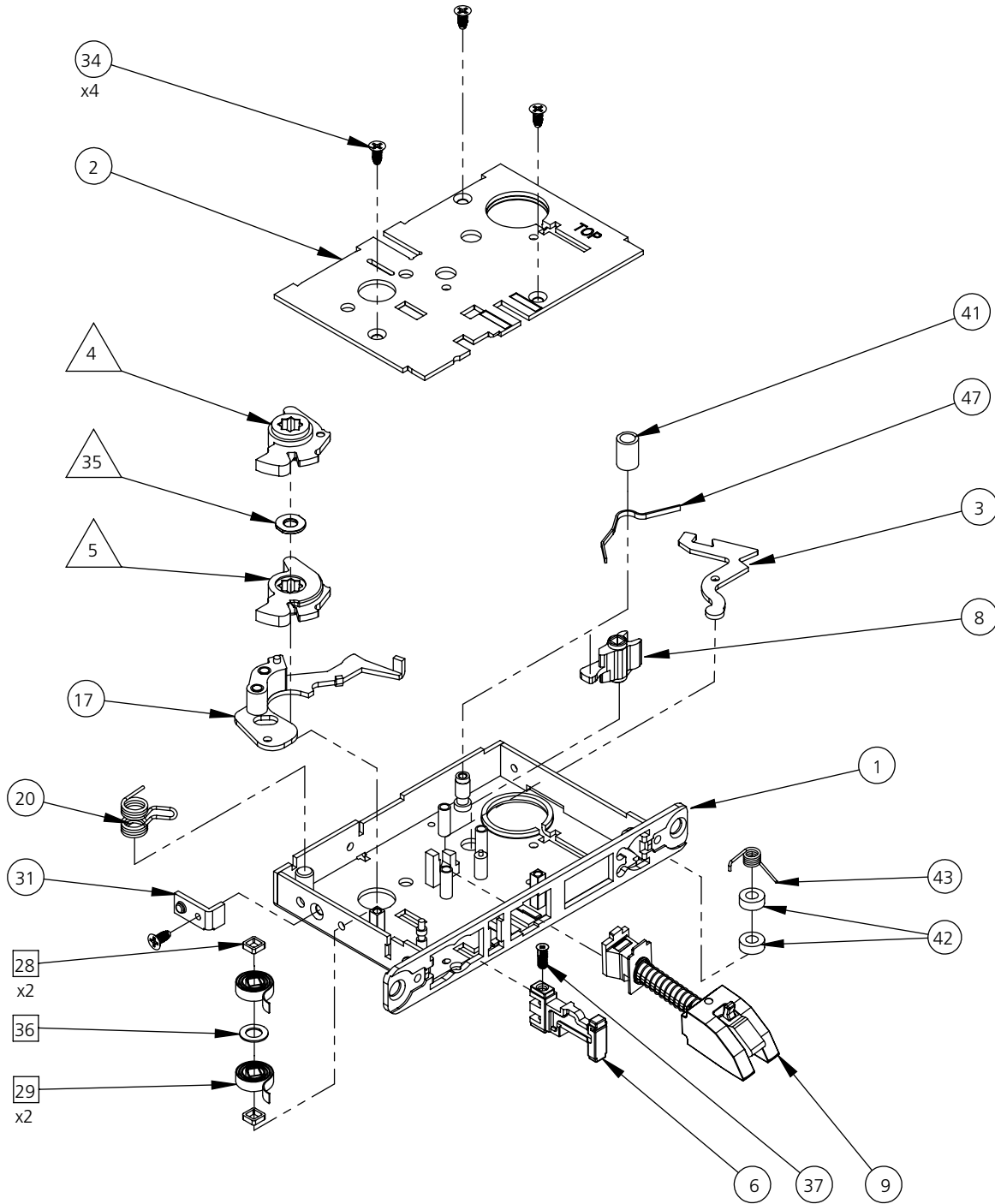
| ITEM NO.    | PART NUMBER        | DESCRIPTION                      | SELLABLE |
|-------------|--------------------|----------------------------------|----------|
| 1           | 820F288            | Case & Front SA, Func. 60/68     | No       |
| 2           | 700F278            | Cap, Case Standard               | No       |
| 3           | 702F598            | Lever, Stop                      | Yes      |
| △ 4         | 820F068<br>853F068 | Hub (Cap Side)<br>Lever<br>Knob  | Yes      |
| △ 5         | 820F078<br>853F078 | Hub (Case Side)<br>Lever<br>Knob | Yes      |
| 6           | 853F497            | Stop                             | Yes      |
| 8           | 813F505            | Hub, Turnpiece Func. 60/68       | Yes      |
| 9           | 864F107            | Latchbolt Sub-Assembly, Standard | Yes      |
| 17          | 820F148            | Lever, Hub Assembly With Hook    | Yes      |
| 20          | 820F048            | Spring, Hub Lever                | Yes      |
| □ 28        | 466F229            | Spacer, Square                   | Yes      |
| □ 29        | 404F858            | Spring, Lever Return             | Yes      |
| 31          | 404F868            | Bracket, Align                   | Yes      |
| 34          | 684F188            | Screw, FHUM-PH-TITE #8-32 x 3/8" | Yes      |
| △ 35        | 684F119<br>853F089 | Spacer, Hub<br>Lever<br>Knob     | Yes      |
| □ 36        | 684F129            | Spacer, Lever Return Spring      | Yes      |
| 37          | 684F067            | Screw, Stop                      | Yes      |
| 41          | 624F439            | Spacer, Tall                     | Yes      |
| 42          | 624F449            | Spacer, Func. 60/69              | Yes      |
| 43          | 688F017            | Spring, Kick-Off                 | Yes      |
| 47          | 863F147            | Spring, Turn-Piece Hub           | Yes      |
| See page 53 | 423F55 FIN*        | Armored Front                    | Yes      |
| See page 52 | 236L72018          | Std. Strike                      | Yes      |
| See page 75 | 429F41 FIN*        | Mortise Lock Mounting Packet     | Yes      |

\*Specify finish

The warranty on Corbin Russwin products becomes void if the product is modified in any way, regardless of whether the modifications causes or contributes to any alleged defect. If a Corbin Russwin product is modified it may no longer meet industry certification and quality control standards applicable to the original product and is no longer a genuine Corbin Russwin product.

Copyright © 2000-2023, 2025, ASSA ABLOY Access and Egress Hardware Group, Inc. All rights reserved. Reproduction in whole or in part without the express written permission of ASSA ABLOY Access and Egress Hardware Group, Inc. is prohibited. Patent pending and/or patent [www.assaabloydss.com/patents](http://www.assaabloydss.com/patents).

Privacy



- Parts common to both lever and knob trim designs.
- Parts for lever trim designs only.
- △ Lever and knob trim designs utilize different part numbers. See table.

The warranty on Corbin Russwin products becomes void if the product is modified in any way, regardless of whether the modifications causes or contributes to any alleged defect. If a Corbin Russwin product is modified it may no longer meet industry certification and quality control standards applicable to the original product and is no longer a genuine Corbin Russwin product.

Copyright © 2000-2023, 2025, ASSA ABLOY Access and Egress Hardware Group, Inc. All rights reserved. Reproduction in whole or in part without the express written permission of ASSA ABLOY Access and Egress Hardware Group, Inc. is prohibited. Patent pending and/or patent [www.assaabloydss.com/patents](http://www.assaabloydss.com/patents).

## Apartment or Dormitory

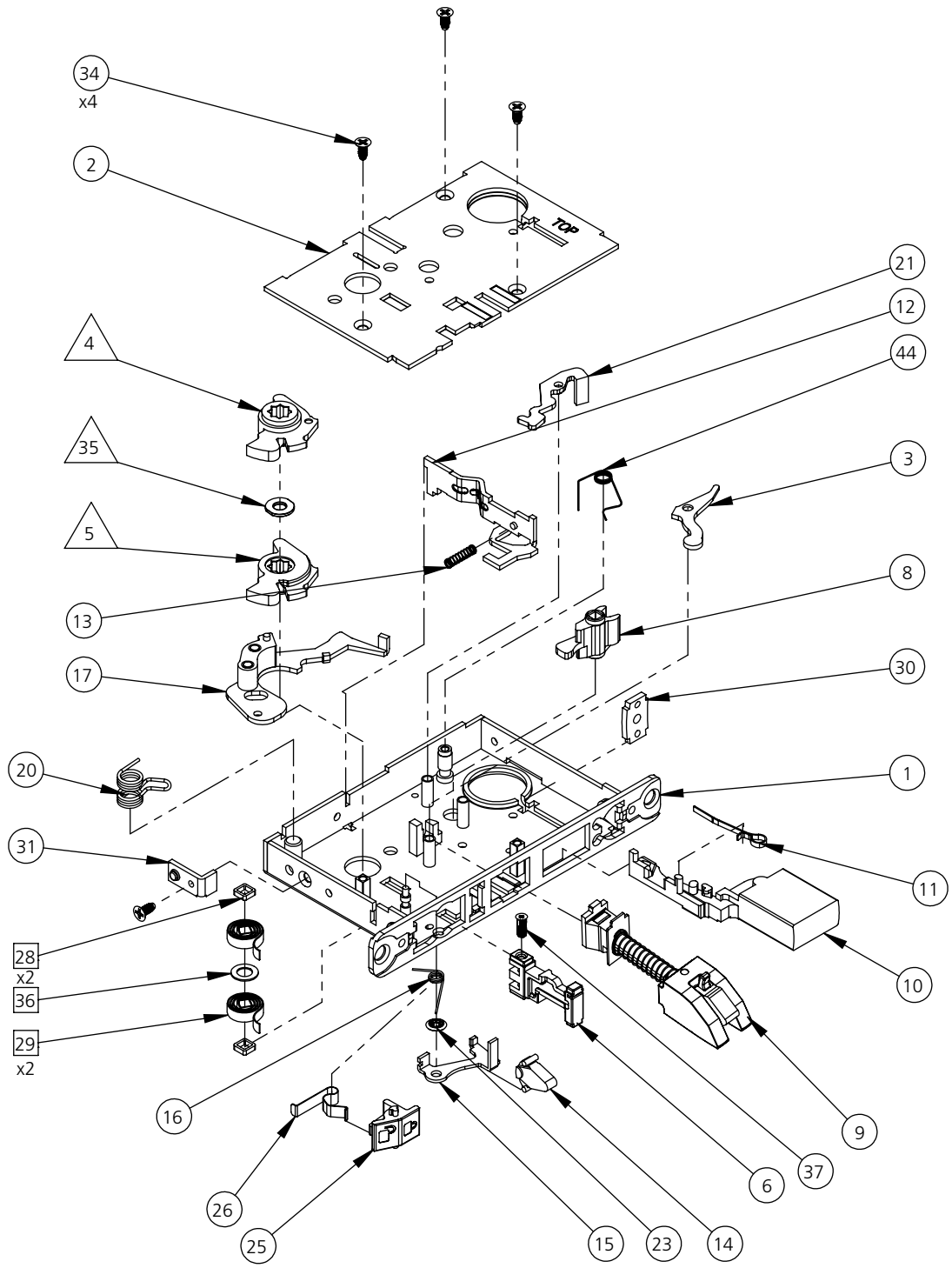
| ITEM NO.    | PART NUMBER        | DESCRIPTION                      | SELLABLE |
|-------------|--------------------|----------------------------------|----------|
| 1           | 820F268            | Case & Front SA, Standard        | No       |
| 2           | 700F278            | Cap, Case Standard               | No       |
| 3           | 700F748            | Lever, Stop                      | Yes      |
| △ 4         | 820F068<br>853F068 | Hub (Cap Side)<br>Lever<br>Knob  | Yes      |
| △ 5         | 820F078<br>853F078 | Hub (Case Side)<br>Lever<br>Knob | Yes      |
| 6           | 853F497            | Stop                             | Yes      |
| 8           | 813F505            | Hub, Turnpiece Standard          | Yes      |
| 9           | 864F107            | Latchbolt Sub-Assembly, Standard | Yes      |
| 10          | 702F987            | Deadbolt, Standard               | Yes      |
| 11          | 701F228            | Spring, Deadbolt                 | Yes      |
| 12          | 602F198            | Lever, Deadlocking               | Yes      |
| 13          | 700F907            | Spring, Deadlocking Spring       | Yes      |
| 14          | 403F677            | Latch, Auxiliary                 | Yes      |
| 15          | 678F548            | Lever, Auxiliary                 | Yes      |
| 16          | 678F677            | Spring, Auxiliary Lever          | Yes      |
| 17          | 820F148            | Lever, Hub Assembly With Hook    | Yes      |
| 20          | 820F048            | Spring, Hub Lever                | Yes      |
| 21          | 701F748            | Lever, Cylinder Latch Lever      | Yes      |
| 23          | 436F177            | Ring, Retaining                  | Yes      |
| 25          | 851F617            | Toggle                           | Yes      |
| 26          | 857F478            | Spring, Toggle                   | Yes      |
| □ 28        | 466F229            | Spacer, Square                   | Yes      |
| □ 29        | 404F858            | Spring, Lever Return             | Yes      |
| 30          | 402F738            | Bracket, Cylinder Set Screw      | Yes      |
| 31          | 404F868            | Bracket, Align                   | Yes      |
| 34          | 684F188            | Screw, FHUM-PH-TITE #8-32 x 3/8" | Yes      |
| △ 35        | 684F119<br>853F089 | Spacer, Hub<br>Lever<br>Knob     | Yes      |
| □ 36        | 684F129            | Spacer, Lever Return Spring      | Yes      |
| 37          | 684F067            | Screw, Stop                      | Yes      |
| 44          | 700F957            | Spring, Cylinder Latch Lever     | Yes      |
| See page 53 | 402F29 FIN*        | Armored Front                    | Yes      |
| See page 52 | 236L72018          | Std. Strike                      | Yes      |
| See page 75 | 429F41 FIN*        | Mortise Lock Mounting Packet     | Yes      |

\*Specify finish

The warranty on Corbin Russwin products becomes void if the product is modified in any way, regardless of whether the modifications causes or contributes to any alleged defect. If a Corbin Russwin product is modified it may no longer meet industry certification and quality control standards applicable to the original product and is no longer a genuine Corbin Russwin product.

Copyright © 2000-2023, 2025, ASSA ABLOY Access and Egress Hardware Group, Inc. All rights reserved. Reproduction in whole or in part without the express written permission of ASSA ABLOY Access and Egress Hardware Group, Inc. is prohibited. Patent pending and/or patent [www.assaabloydss.com/patents](http://www.assaabloydss.com/patents).

Apartment or Dormitory



- Parts common to both lever and knob trim designs.
- Parts for lever trim designs only.
- △ Lever and knob trim designs utilize different part numbers. See table.

The warranty on Corbin Russwin products becomes void if the product is modified in any way, regardless of whether the modifications causes or contributes to any alleged defect. If a Corbin Russwin product is modified it may no longer meet industry certification and quality control standards applicable to the original product and is no longer a genuine Corbin Russwin product.

Copyright © 2000-2023, 2025, ASSA ABLOY Access and Egress Hardware Group, Inc. All rights reserved. Reproduction in whole or in part without the express written permission of ASSA ABLOY Access and Egress Hardware Group, Inc. is prohibited. Patent pending and/or patent [www.assaabloydss.com/patents](http://www.assaabloydss.com/patents).

## Privacy or Apartment

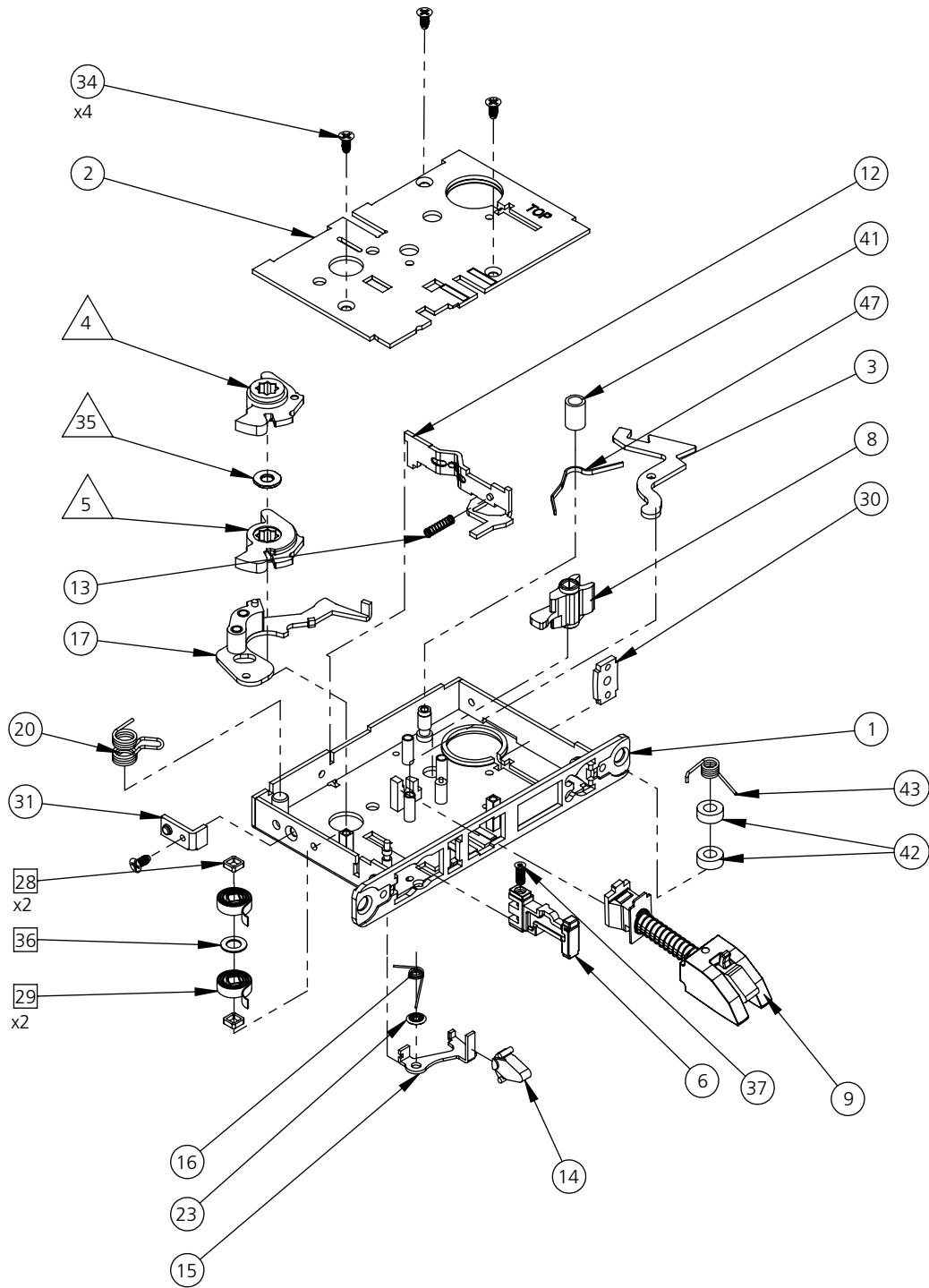
| ITEM NO.    | PART NUMBER        | DESCRIPTION                      | SELLABLE |
|-------------|--------------------|----------------------------------|----------|
| 1           | 820F288            | Case & Front SA, Func. 60/68     | No       |
| 2           | 700F278            | Cap, Case Standard               | No       |
| 3           | 702F598            | Lever, Stop                      | Yes      |
| △ 4         | 820F068<br>853F068 | Hub (Cap Side)<br>Lever<br>Knob  | Yes      |
| △ 5         | 820F078<br>853F078 | Hub (Case Side)<br>Lever<br>Knob | Yes      |
| 6           | 853F497            | Stop                             | Yes      |
| 8           | 813F505            | Hub, Turnpiece Func. 60/68       | Yes      |
| 9           | 864F107            | Latchbolt Sub-Assembly, Standard | Yes      |
| 12          | 624F488            | Lever, Deadlocking               | Yes      |
| 13          | 700F907            | Spring, Deadlocking Spring       | Yes      |
| 14          | 403F677            | Latch, Auxiliary                 | Yes      |
| 15          | 678F548            | Lever, Auxiliary                 | Yes      |
| 16          | 678F677            | Spring, Auxiliary Lever          | Yes      |
| 17          | 820F148            | Lever, Hub Assembly With Hook    | Yes      |
| 20          | 820F048            | Spring, Hub Lever                | Yes      |
| 23          | 436F177            | Ring, Retaining                  | Yes      |
| 28          | 466F229            | Spacer, Square                   | Yes      |
| □ 29        | 404F858            | Spring, Lever Return             | Yes      |
| □ 30        | 402F738            | Bracket, Cylinder Set Screw      | Yes      |
| 31          | 404F868            | Bracket, Align                   | Yes      |
| 34          | 684F188            | Screw, FHUM-PH-TITE #8-32 x 3/8" | Yes      |
| △ 35        | 684F119<br>853F089 | Spacer, Hub<br>Lever<br>Knob     | Yes      |
| □ 36        | 684F129            | Spacer, Lever Return Spring      | Yes      |
| 37          | 684F067            | Screw, Stop                      | Yes      |
| 41          | 624F439            | Spacer, Tall                     | Yes      |
| 42          | 624F449            | Spacer, Func. 60/69              | Yes      |
| 43          | 688F017            | Spring, Kick-Off                 | Yes      |
| 47          | 863F147            | Spring, Turn-Piece Hub           | Yes      |
| See page 53 | 624F49 FIN*        | Armored Front                    | Yes      |
| See page 52 | 236L72018          | Std. Strike                      | Yes      |
| See page 75 | 429F41 FIN*        | Mortise Lock Mounting Packet     | Yes      |

\*Specify finish

The warranty on Corbin Russwin products becomes void if the product is modified in any way, regardless of whether the modifications causes or contributes to any alleged defect. If a Corbin Russwin product is modified it may no longer meet industry certification and quality control standards applicable to the original product and is no longer a genuine Corbin Russwin product.

Copyright © 2000-2023, 2025, ASSA ABLOY Access and Egress Hardware Group, Inc. All rights reserved. Reproduction in whole or in part without the express written permission of ASSA ABLOY Access and Egress Hardware Group, Inc. is prohibited. Patent pending and/or patent [www.assaabloydss.com/patents](http://www.assaabloydss.com/patents).

Privacy or Apartment



- Parts common to both lever and knob trim designs.
- Parts for lever trim designs only.
- △ Lever and knob trim designs utilize different part numbers. See table.

The warranty on Corbin Russwin products becomes void if the product is modified in any way, regardless of whether the modifications causes or contributes to any alleged defect. If a Corbin Russwin product is modified it may no longer meet industry certification and quality control standards applicable to the original product and is no longer a genuine Corbin Russwin product.

Copyright © 2000-2023, 2025, ASSA ABLOY Access and Egress Hardware Group, Inc. All rights reserved. Reproduction in whole or in part without the express written permission of ASSA ABLOY Access and Egress Hardware Group, Inc. is prohibited. Patent pending and/or patent [www.assaabloydss.com/patents](http://www.assaabloydss.com/patents).

## Institutional Privacy

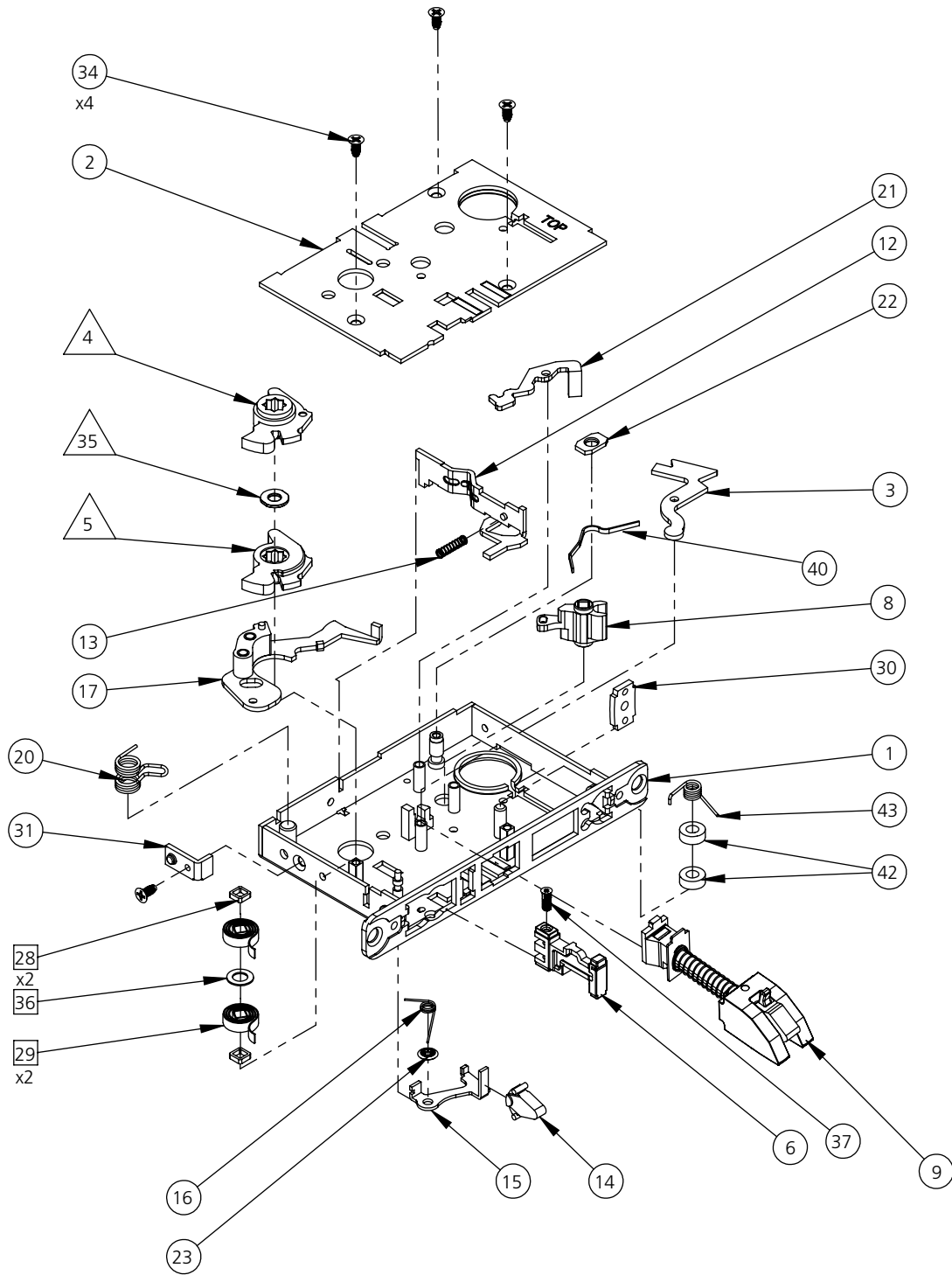
| ITEM NO.    | PART NUMBER        | DESCRIPTION                      | SELLABLE |
|-------------|--------------------|----------------------------------|----------|
| 1           | 820F288            | Case & Front SA, Func. 69        | No       |
| 2           | 700F278            | Cap, Case Standard               | No       |
| 3           | 720F698            | Lever, Stop                      | Yes      |
| △ 4         | 820F068<br>853F068 | Hub (Cap Side)<br>Lever<br>Knob  | Yes      |
| △ 5         | 820F078<br>853F078 | Hub (Case Side)<br>Lever<br>Knob | Yes      |
| 6           | 853F497            | Stop                             | Yes      |
| 8           | 813F875            | Hub, Turnpiece Func. 69          | Yes      |
| 9           | 864F107            | Latchbolt Sub-Assembly, Standard | Yes      |
| 12          | 624F488            | Lever, Deadlocking               | Yes      |
| 13          | 700F907            | Spring, Deadlocking Spring       | Yes      |
| 14          | 403F677            | Latch, Auxiliary                 | Yes      |
| 15          | 678F548            | Lever, Auxiliary                 | Yes      |
| 16          | 678F677            | Spring, Auxiliary Lever          | Yes      |
| 17          | 820F148            | Lever, Hub Assembly With Hook    | Yes      |
| 20          | 820F048            | Spring, Hub Lever                | Yes      |
| 21          | 815F088            | Lever, Cylinder Latch Func. 69   | Yes      |
| 22          | 867F829            | Stop, Cylinder Latch Lever       | Yes      |
| 23          | 436F177            | Ring, Retaining                  | Yes      |
| 28          | 466F229            | Spacer, Square                   | Yes      |
| □ 29        | 404F858            | Spring, Lever Return             | Yes      |
| □ 30        | 402F738            | Bracket, Cylinder Set Screw      | Yes      |
| 31          | 404F868            | Bracket, Align                   | Yes      |
| 34          | 684F188            | Screw, FHUM-PH-TITE #8-32 x 3/8" | Yes      |
| △ 35        | 684F119<br>853F089 | Spacer, Hub<br>Lever<br>Knob     | Yes      |
| □ 36        | 684F129            | Spacer, Lever Return Spring      | Yes      |
| 37          | 684F067            | Screw, Stop                      | Yes      |
| 40          | 863F147            | Spring, Turnpiece Hub, Func. 69  | Yes      |
| 42          | 624F449            | Spacer, Func. 60/69              | Yes      |
| 43          | 688F017            | Spring, Kick-Off                 | Yes      |
| See page 53 | 624F49 FIN*        | Armored Front                    | Yes      |
| See page 52 | 236L72018          | Std. Strike                      | Yes      |
| See page 75 | 429F41 FIN*        | Mortise Lock Mounting Packet     | Yes      |

\*Specify finish

The warranty on Corbin Russwin products becomes void if the product is modified in any way, regardless of whether the modifications causes or contributes to any alleged defect. If a Corbin Russwin product is modified it may no longer meet industry certification and quality control standards applicable to the original product and is no longer a genuine Corbin Russwin product.

Copyright © 2000-2023, 2025, ASSA ABLOY Access and Egress Hardware Group, Inc. All rights reserved. Reproduction in whole or in part without the express written permission of ASSA ABLOY Access and Egress Hardware Group, Inc. is prohibited. Patent pending and/or patent [www.assaabloydss.com/patents](http://www.assaabloydss.com/patents).

**Institutional Privacy**



- Parts common to both lever and knob trim designs.
- Parts for lever trim designs only.
- △ Lever and knob trim designs utilize different part numbers. See table.

The warranty on Corbin Russwin products becomes void if the product is modified in any way, regardless of whether the modifications causes or contributes to any alleged defect. If a Corbin Russwin product is modified it may no longer meet industry certification and quality control standards applicable to the original product and is no longer a genuine Corbin Russwin product.

Copyright © 2000-2023, 2025, ASSA ABLOY Access and Egress Hardware Group, Inc. All rights reserved. Reproduction in whole or in part without the express written permission of ASSA ABLOY Access and Egress Hardware Group, Inc. is prohibited. Patent pending and/or patent [www.assaabloydss.com/patents](http://www.assaabloydss.com/patents).

## Classroom Intruder, Classroom Security, Security Entrance or Office

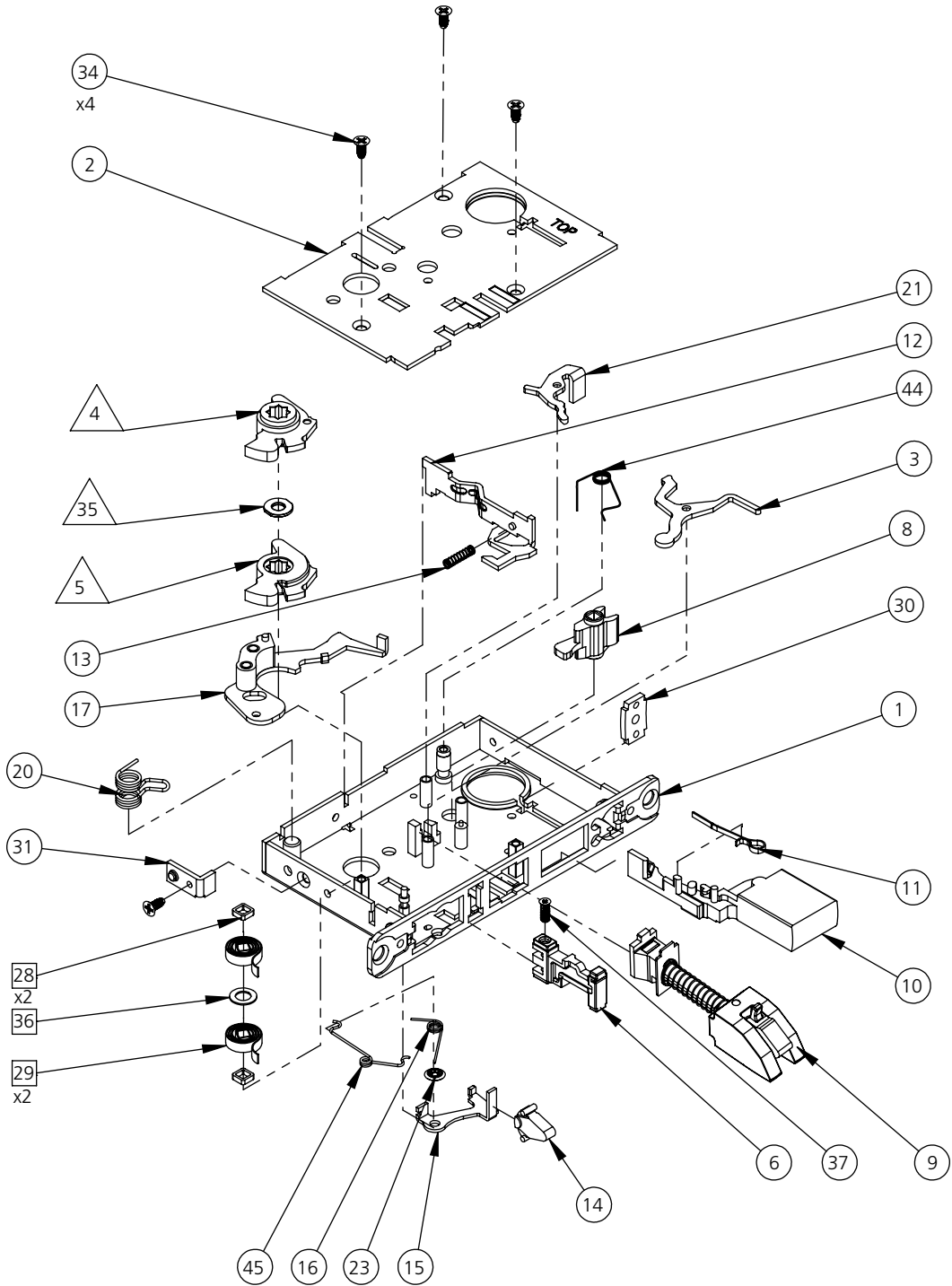
| ITEM NO.    | PART NUMBER            | DESCRIPTION   | SELLABLE |
|-------------|------------------------|---|----------|
| 1           | 820F268                | Case & Front SA, Standard   | No       |
| 2           | 700F278                | Cap, Case Standard  | No       |
| 3           | 753F078                | Lever, Stop   | Yes      |
| △ 4         | 820F068<br>853F068     | Hub (Cap Side)<br>Lever<br>Knob   | Yes      |
| △ 5         | 820F078<br>853F078     | Hub (Case Side)<br>Lever<br>Knob  | Yes      |
| 6           | 853F497                | Stop  | Yes      |
| 8           | 813F505                | Hub, Turnpiece Standard   | Yes      |
| 9           | 864F107                | Latchbolt Sub-Assembly, Standard  | Yes      |
| 10          | 753F697                | Deadbolt, Func. 72  | Yes      |
| 11          | 701F228                | Spring, Deadbolt  | Yes      |
| 12          | 700F218                | Lever, Deadlocking  | Yes      |
| 13          | 700F907                | Spring, Deadlocking Spring  | Yes      |
| 14          | 403F677                | Latch, Axuiliary  | Yes      |
| 15          | 678F548                | Lever, Auxiliary  | Yes      |
| 16          | 678F677                | Spring, Auxiliary Lever   | Yes      |
| 17          | 820F148                | Lever, Hub Assembly With Hook   | Yes      |
| 20          | 820F048                | Spring, Hub Lever   | Yes      |
| 21          | 753F092                | Lever, Cylinder Latch Func. 72  | Yes      |
| 23          | 436F177                | Ring, Retaining   | Yes      |
| □ 28        | 466F229                | Spacer, Square  | Yes      |
| □ 29        | 404F858                | Spring, Lever Return  | Yes      |
| 30          | 402F738                | Bracket, Cylinder Set Screw   | Yes      |
| 31          | 404F868                | Bracket, Align  | Yes      |
| 34          | 684F188                | Screw, FHUM-PH-TITE #8-32 x 3/8"  | Yes      |
| △ 35        | 684F119<br>853F089     | Spacer, Hub<br>Lever<br>Knob  | Yes      |
| □ 36        | 684F129                | Spacer, Lever Return Spring   | Yes      |
| 37          | 684F067                | Screw, Stop   | Yes      |
| 44          | 700F957                | Spring, Cylinder Latch Lever  | Yes      |
| 45          | 703F997                | Spring, Stop, Func. 72  | Yes      |
| See page 53 | 402F30 FIN*            | Armored Front   | Yes      |
| See page 52 | 236L72018              | Std. Strike   | Yes      |
| See page 75 | 429F41 FIN*<br>488F088 | Mortise Lock Mounting Packet<br><br>NOTE: For double cylinder functions an additional cylinder set screw is required.<br><br>Cylinder Set Screw | Yes      |

\*Specify finish

The warranty on Corbin Russwin products becomes void if the product is modified in any way, regardless of whether the modifications causes or contributes to any alleged defect. If a Corbin Russwin product is modified it may no longer meet industry certification and quality control standards applicable to the original product and is no longer a genuine Corbin Russwin product.

Copyright © 2000-2023, 2025, ASSA ABLOY Access and Egress Hardware Group, Inc. All rights reserved. Reproduction in whole or in part without the express written permission of ASSA ABLOY Access and Egress Hardware Group, Inc. is prohibited. Patent pending and/or patent [www.assaabloydss.com/patents](http://www.assaabloydss.com/patents).

**Classroom Intruder, Classroom Security, Security Entrance or Office**



- Parts common to both lever and knob trim designs.
- Parts for lever trim designs only.
- △ Lever and knob trim designs utilize different part numbers. See table.

The warranty on Corbin Russwin products becomes void if the product is modified in any way, regardless of whether the modifications causes or contributes to any alleged defect. If a Corbin Russwin product is modified it may no longer meet industry certification and quality control standards applicable to the original product and is no longer a genuine Corbin Russwin product.

Copyright © 2000-2023, 2025, ASSA ABLOY Access and Egress Hardware Group, Inc. All rights reserved. Reproduction in whole or in part without the express written permission of ASSA ABLOY Access and Egress Hardware Group, Inc. is prohibited. Patent pending and/or patent [www.assaabloydss.com/patents](http://www.assaabloydss.com/patents).

## Half Active Dummy Trim

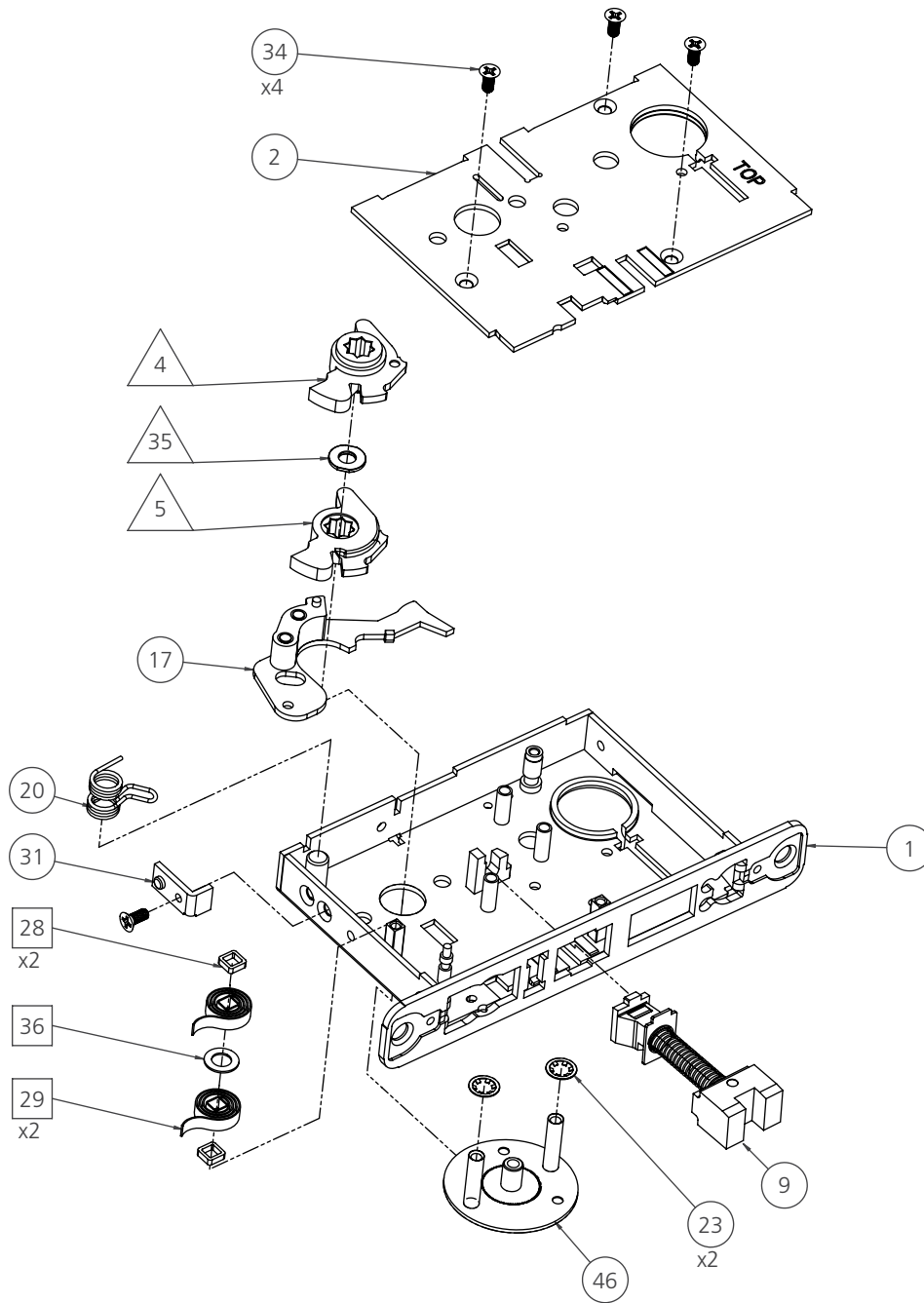
| ITEM NO.    | PART NUMBER        | DESCRIPTION                      | SELLABLE |
|-------------|--------------------|----------------------------------|----------|
| 1           | 820F268            | Case & Front SA, Standard        | No       |
| 2           | 700F278            | Cap, Case Standard               | No       |
| △ 4         | 820F068<br>853F068 | Hub (Cap Side)<br>Lever<br>Knob  | Yes      |
| △ 5         | 820F078<br>853F078 | Hub (Case Side)<br>Lever<br>Knob | Yes      |
| 9           | 864F117            | Latchbolt Sub-Assembly           | Yes      |
| 17          | 820F008            | Lever, Hub Assembly              | Yes      |
| 20          | 820F048            | Spring, Hub Lever                | Yes      |
| 23          | 427F078            | Ring, Retaining M30              | Yes      |
| □ 28        | 466F229            | Spacer, Square                   | Yes      |
| □ 29        | 404F858            | Spring, Lever Return             | Yes      |
| 31          | 404F868            | Bracket, Align                   | Yes      |
| 34          | 684F188            | Screw, FHUM-PH-TITE #8-32 x 3/8" | Yes      |
| △ 35        | 684F119<br>853F089 | Spacer, Hub<br>Lever<br>Knob     | Yes      |
| □ 36        | 684F129            | Spacer, Lever Return Spring      | Yes      |
| 46          | 488F278            | M30 Adapter Plate                | Yes      |
| See page 53 | 720F43 FIN*        | Armored Front                    | Yes      |
| See page 52 | 236L72018          | Std. Strike                      | Yes      |
| See page 75 | 429F41 FIN*        | Mortise Lock Mounting Packet     | Yes      |

\*Specify finish

The warranty on Corbin Russwin products becomes void if the product is modified in any way, regardless of whether the modifications causes or contributes to any alleged defect. If a Corbin Russwin product is modified it may no longer meet industry certification and quality control standards applicable to the original product and is no longer a genuine Corbin Russwin product.

Copyright © 2000-2023, 2025, ASSA ABLOY Access and Egress Hardware Group, Inc. All rights reserved. Reproduction in whole or in part without the express written permission of ASSA ABLOY Access and Egress Hardware Group, Inc. is prohibited. Patent pending and/or patent [www.assaabloydss.com/patents](http://www.assaabloydss.com/patents).

**Half Active Dummy Trim**



- Parts common to both lever and knob trim designs.
- Parts for lever trim designs only.
- △ Lever and knob trim designs utilize different part numbers. See table.

The warranty on Corbin Russwin products becomes void if the product is modified in any way, regardless of whether the modifications causes or contributes to any alleged defect. If a Corbin Russwin product is modified it may no longer meet industry certification and quality control standards applicable to the original product and is no longer a genuine Corbin Russwin product.

Copyright © 2000-2023, 2025, ASSA ABLOY Access and Egress Hardware Group, Inc. All rights reserved. Reproduction in whole or in part without the express written permission of ASSA ABLOY Access and Egress Hardware Group, Inc. is prohibited. Patent pending and/or patent [www.assaabloydss.com/patents](http://www.assaabloydss.com/patents).

## Dormitory or Exit

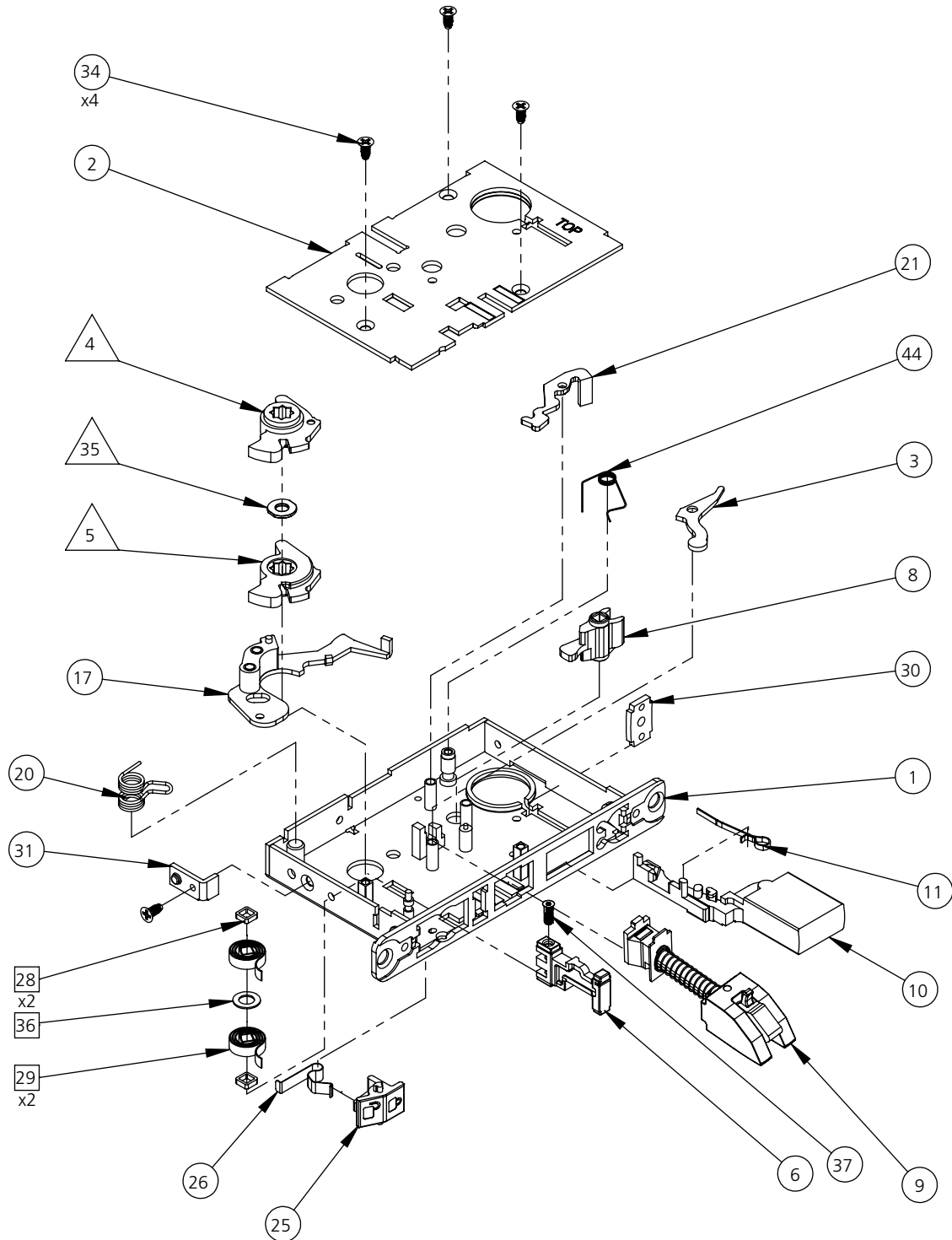
| ITEM NO.    | PART NUMBER            | DESCRIPTION   | SELLABLE |
|-------------|------------------------|---|----------|
| 1           | 820F268                | Case & Front SA, Standard   | No       |
| 2           | 700F278                | Cap, Case Standard  | No       |
| 3           | 700F748                | Lever, Stop   | Yes      |
| △ 4         | 820F068<br>853F068     | Hub (Cap Side)<br>Lever<br>Knob   | Yes      |
| △ 5         | 820F078<br>853F078     | Hub (Case Side)<br>Lever<br>Knob  | Yes      |
| 6           | 853F497                | Stop  | Yes      |
| 8           | 813F505                | Hub, Turnpiece Standard   | Yes      |
| 9           | 864F107                | Latchbolt Sub-Assembly, Standard  | Yes      |
| 10          | 702F987                | Deadbolt, Standard  | Yes      |
| 11          | 701F228                | Spring, Deadbolt  | Yes      |
| 17          | 820F148                | Lever, Hub Assembly With Hook   | Yes      |
| 20          | 820F048                | Spring, Hub Lever   | Yes      |
| 21          | 701F748                | Lever, Cylinder Latch Lever   | Yes      |
| 25          | 851F617                | Toggle  | Yes      |
| 26          | 857F478                | Spring, Toggle  | Yes      |
| □ 28        | 466F229                | Spacer, Square  | Yes      |
| □ 29        | 404F858                | Spring, Lever Return  | Yes      |
| 30          | 402F738                | Bracket, Cylinder Set Screw   | Yes      |
| 31          | 404F868                | Bracket, Align  | Yes      |
| 34          | 684F188                | Screw, FHUM-PH-TITE #8-32 x 3/8"  | Yes      |
| △ 35        | 684F119<br>853F089     | Spacer, Hub<br>Lever<br>Knob  | Yes      |
| □ 36        | 684F129                | Spacer, Lever Return Spring   | Yes      |
| 37          | 684F067                | Screw, Stop   | Yes      |
| 44          | 700F957                | Spring, Cylinder Latch Lever  | Yes      |
| See page 53 | 624F49 FIN*            | Armored Front   | Yes      |
| See page 52 | 236L72018              | Std. Strike   | Yes      |
| See page 75 | 429F41 FIN*<br>488F088 | Mortise Lock Mounting Packet<br><br>NOTE: For double cylinder functions an additional cylinder set screw is required.<br><br>Cylinder Set Screw | Yes      |

\*Specify finish

The warranty on Corbin Russwin products becomes void if the product is modified in any way, regardless of whether the modifications causes or contributes to any alleged defect. If a Corbin Russwin product is modified it may no longer meet industry certification and quality control standards applicable to the original product and is no longer a genuine Corbin Russwin product.

Copyright © 2000-2023, 2025, ASSA ABLOY Access and Egress Hardware Group, Inc. All rights reserved. Reproduction in whole or in part without the express written permission of ASSA ABLOY Access and Egress Hardware Group, Inc. is prohibited. Patent pending and/or patent [www.assaabloydss.com/patents](http://www.assaabloydss.com/patents).

**Dormitory or Exit**



- Parts common to both lever and knob trim designs.
- Parts for lever trim designs only.
- △ Lever and knob trim designs utilize different part numbers. See table.

The warranty on Corbin Russwin products becomes void if the product is modified in any way, regardless of whether the modifications causes or contributes to any alleged defect. If a Corbin Russwin product is modified it may no longer meet industry certification and quality control standards applicable to the original product and is no longer a genuine Corbin Russwin product.

Copyright © 2000-2023, 2025, ASSA ABLOY Access and Egress Hardware Group, Inc. All rights reserved. Reproduction in whole or in part without the express written permission of ASSA ABLOY Access and Egress Hardware Group, Inc. is prohibited. Patent pending and/or patent [www.assaabloydss.com/patents](http://www.assaabloydss.com/patents).

## Security Vestibule

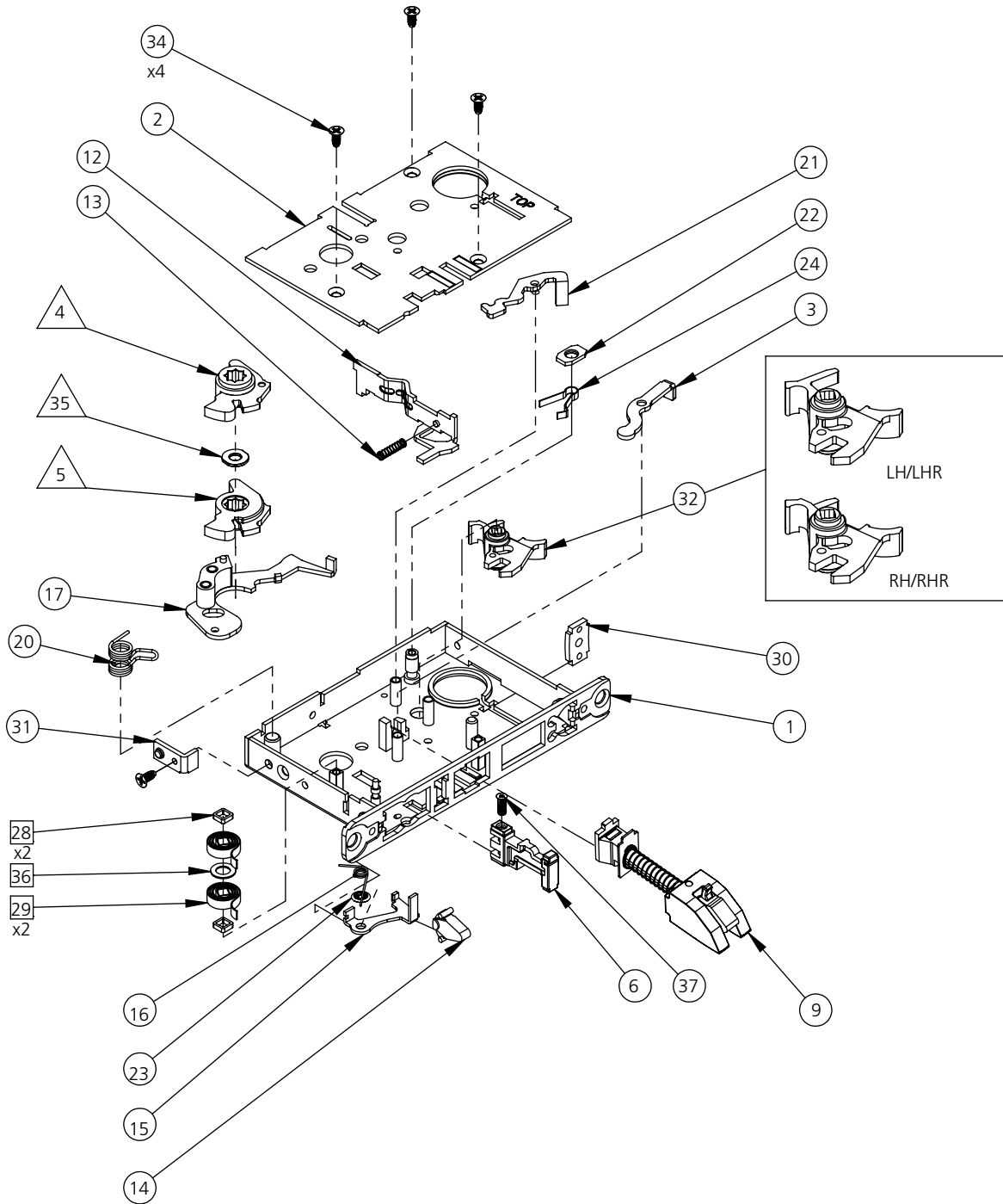
| ITEM NO.    | PART NUMBER            | DESCRIPTION   | SELLABLE |
|-------------|------------------------|---|----------|
| 1           | 820F268                | Case & Front SA, Standard   | No       |
| 2           | 700F278                | Cap, Case Standard  | No       |
| 3           | 681F448                | Lever, Stop   | Yes      |
| △ 4         | 820F068<br>853F068     | Hub (Cap Side)<br>Lever<br>Knob   | Yes      |
| △ 5         | 820F078<br>853F078     | Hub (Case Side)<br>Lever<br>Knob  | Yes      |
| 6           | 853F497                | Stop  | Yes      |
| 9           | 864F107                | Latchbolt Sub-Assembly, Standard  | Yes      |
| 12          | 624F488                | Lever, Deadlocking  | Yes      |
| 13          | 700F907                | Spring, Deadlocking Spring  | Yes      |
| 14          | 403F677                | Latch, Auxiliary  | Yes      |
| 15          | 678F548                | Lever, Auxiliary  | Yes      |
| 16          | 678F677                | Spring, Auxiliary Lever   | Yes      |
| 17          | 820F008                | Lever, Hub Assembly   | Yes      |
| 20          | 820F048                | Spring, Hub Lever   | Yes      |
| 21          | 701F748                | Lever, Cylinder Latch Lever   | Yes      |
| 22          | 705F949                | Stop, Cylinder Latch Lever  | Yes      |
| 23          | 436F177                | Ring, Retaining   | Yes      |
| 24          | 685F387                | Spring, Stop  | Yes      |
| 28          | 466F229                | Spacer, Square  | Yes      |
| □ 29        | 404F858                | Spring, Lever Return  | Yes      |
| □ 30        | 402F738                | Bracket, Cylinder Set Screw   | Yes      |
| 31          | 404F868                | Bracket, Align  | Yes      |
| 32          | 856F865<br>856F875     | Hub, Turnpiece Large RH/RHR<br>Hub, Turnpiece Large LH/LHR  | Yes      |
| 34          | 684F188                | Screw, FHUM-PH-TITE #8-32 x 3/8"  | Yes      |
| △ 35        | 684F119<br>853F089     | Spacer, Hub<br>Lever<br>Knob  | Yes      |
| □ 36        | 684F129                | Spacer, Lever Return Spring   | Yes      |
| 37          | 684F067                | Screw, Stop   | Yes      |
| See page 53 | 624F49 FIN*            | Armored Front   | Yes      |
| See page 52 | 236L72018              | Std. Strike   | Yes      |
| See page 75 | 429F41 FIN*<br>488F088 | Mortise Lock Mounting Packet<br><br>NOTE: For double cylinder functions an additional cylinder set screw is required.<br><br>Cylinder Set Screw | Yes      |

\*Specify finish

The warranty on Corbin Russwin products becomes void if the product is modified in any way, regardless of whether the modifications causes or contributes to any alleged defect. If a Corbin Russwin product is modified it may no longer meet industry certification and quality control standards applicable to the original product and is no longer a genuine Corbin Russwin product.

Copyright © 2000-2023, 2025, ASSA ABLOY Access and Egress Hardware Group, Inc. All rights reserved. Reproduction in whole or in part without the express written permission of ASSA ABLOY Access and Egress Hardware Group, Inc. is prohibited. Patent pending and/or patent [www.assaabloydss.com/patents](http://www.assaabloydss.com/patents).

**Security Vestibule**



- Parts common to both lever and knob trim designs.
- Parts for lever trim designs only.
- △ Lever and knob trim designs utilize different part numbers. See table.

The warranty on Corbin Russwin products becomes void if the product is modified in any way, regardless of whether the modifications causes or contributes to any alleged defect. If a Corbin Russwin product is modified it may no longer meet industry certification and quality control standards applicable to the original product and is no longer a genuine Corbin Russwin product.

Copyright © 2000-2023, 2025, ASSA ABLOY Access and Egress Hardware Group, Inc. All rights reserved. Reproduction in whole or in part without the express written permission of ASSA ABLOY Access and Egress Hardware Group, Inc. is prohibited. Patent pending and/or patent [www.assaabloydss.com/patents](http://www.assaabloydss.com/patents).

## Fully Active Dummy Trim

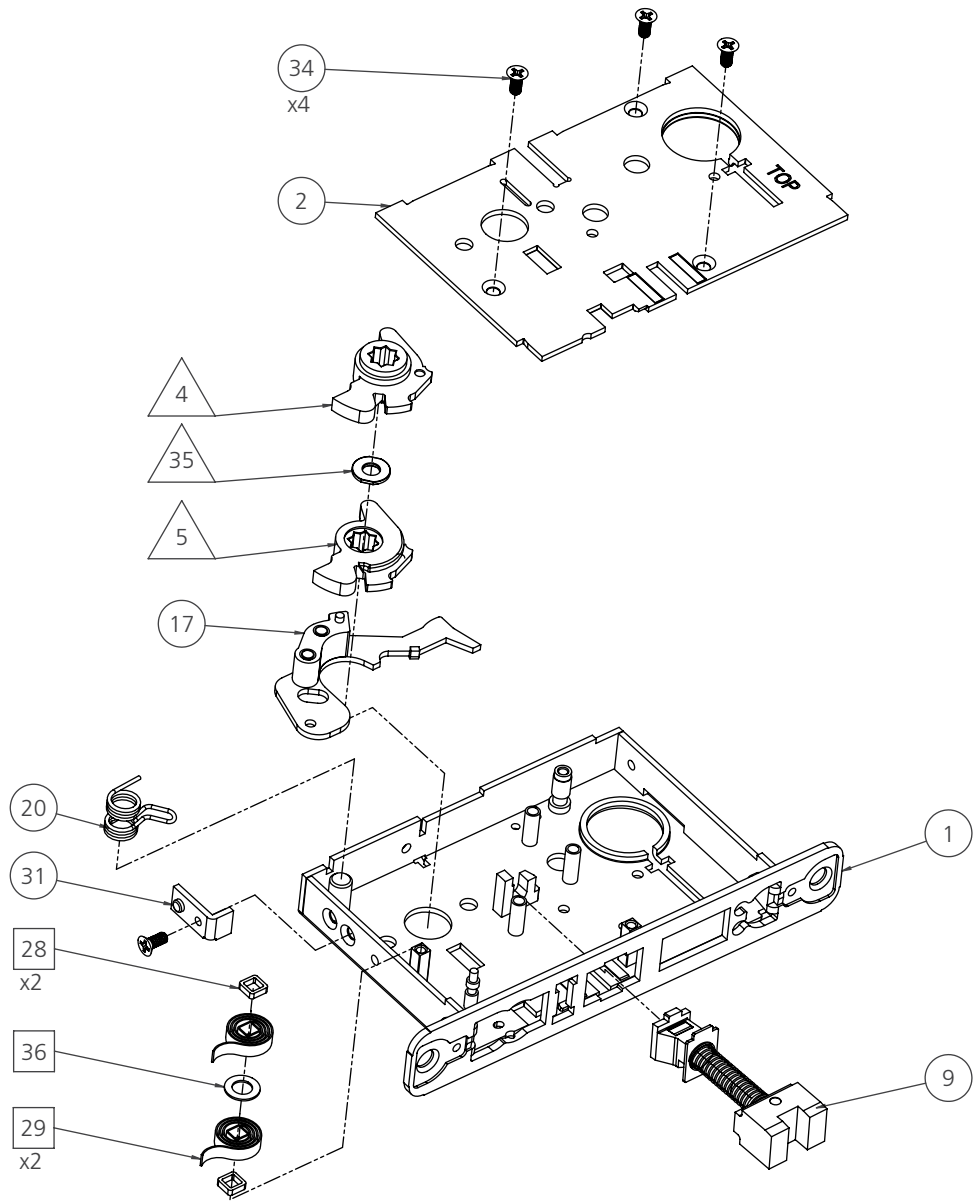
| ITEM NO.    | PART NUMBER        | DESCRIPTION                      | SELLABLE |
|-------------|--------------------|----------------------------------|----------|
| 1           | 820F268            | Case & Front SA, Standard        | No       |
| 2           | 700F278            | Cap, Case Standard               | No       |
| △ 4         | 820F068<br>853F068 | Hub (Cap Side)<br>Lever<br>Knob  | Yes      |
| △ 5         | 820F078<br>853F078 | Hub (Case Side)<br>Lever<br>Knob | Yes      |
| 9           | 864F117            | Latchbolt Sub-Assembly           | Yes      |
| 17          | 820F008            | Lever, Hub Assembly              | Yes      |
| 20          | 820F048            | Spring, Hub Lever                | Yes      |
| □ 28        | 466F229            | Spacer, Square                   | Yes      |
| □ 29        | 404F858            | Spring, Lever Return             | Yes      |
| 31          | 404F868            | Bracket, Align                   | Yes      |
| 34          | 684F188            | Screw, FHUM-PH-TITE #8-32 x 3/8" | Yes      |
| △ 35        | 684F119<br>853F089 | Spacer, Hub<br>Lever<br>Knob     | Yes      |
| □ 36        | 684F129            | Spacer, Lever Return Spring      | Yes      |
| See page 53 | 720F43 FIN*        | Armored Front                    | Yes      |
| See page 52 | 236L72018          | Std. Strike                      | Yes      |
| See page 75 | 429F41 FIN*        | Mortise Lock Mounting Packet     | Yes      |

\*Specify finish

The warranty on Corbin Russwin products becomes void if the product is modified in any way, regardless of whether the modifications causes or contributes to any alleged defect. If a Corbin Russwin product is modified it may no longer meet industry certification and quality control standards applicable to the original product and is no longer a genuine Corbin Russwin product.

Copyright © 2000-2023, 2025, ASSA ABLOY Access and Egress Hardware Group, Inc. All rights reserved. Reproduction in whole or in part without the express written permission of ASSA ABLOY Access and Egress Hardware Group, Inc. is prohibited. Patent pending and/or patent [www.assaabloydss.com/patents](http://www.assaabloydss.com/patents).

**Fully Active Dummy Trim**



- Parts common to both lever and knob trim designs.
- Parts for lever trim designs only.
- △ Lever and knob trim designs utilize different part numbers. See table.

The warranty on Corbin Russwin products becomes void if the product is modified in any way, regardless of whether the modifications causes or contributes to any alleged defect. If a Corbin Russwin product is modified it may no longer meet industry certification and quality control standards applicable to the original product and is no longer a genuine Corbin Russwin product.

Copyright © 2000-2023, 2025, ASSA ABLOY Access and Egress Hardware Group, Inc. All rights reserved. Reproduction in whole or in part without the express written permission of ASSA ABLOY Access and Egress Hardware Group, Inc. is prohibited. Patent pending and/or patent [www.assaabloy.com/patents](http://www.assaabloy.com/patents).

## Security Institution or Utility

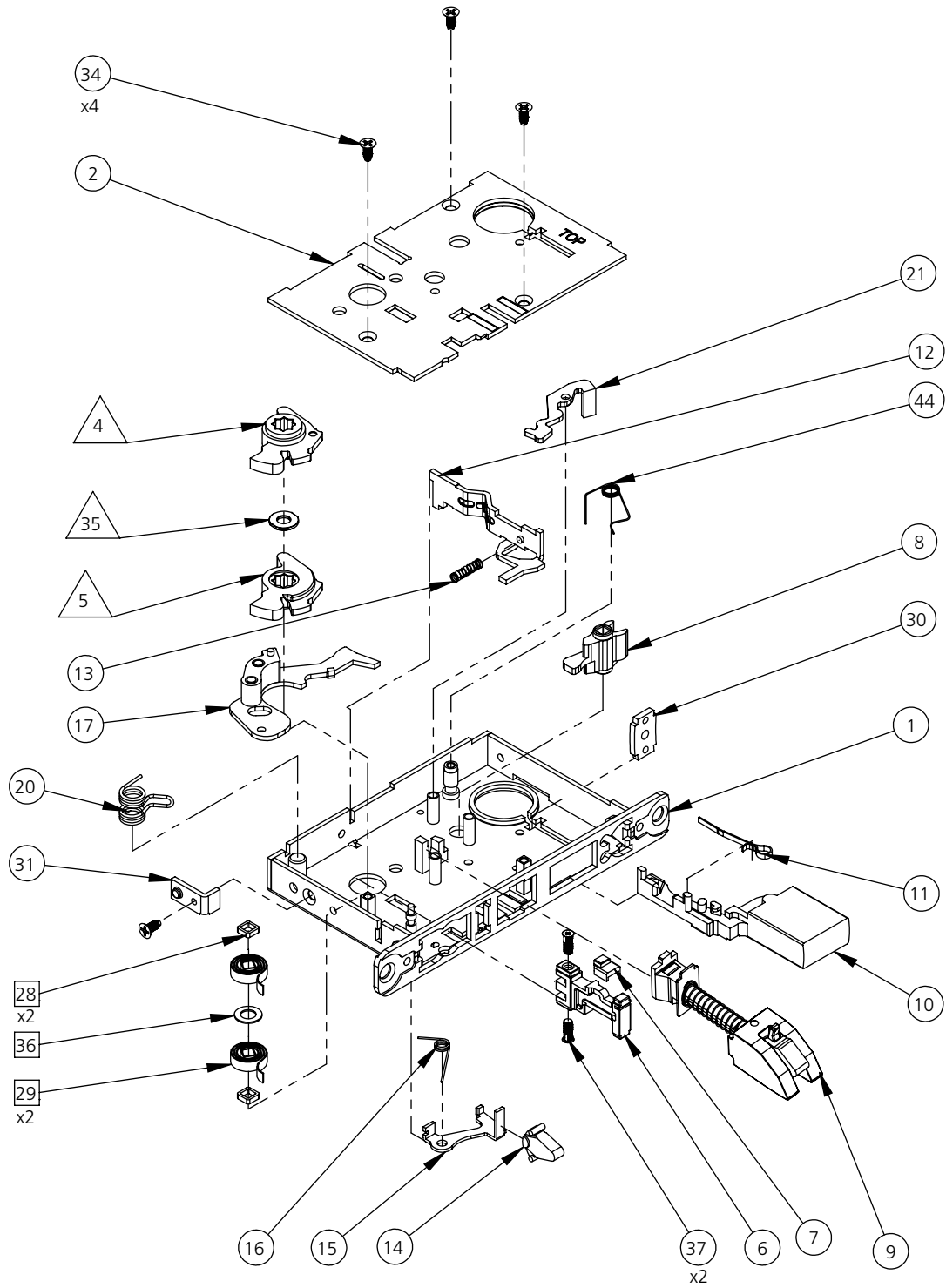
| ITEM NO.    | PART NUMBER            | DESCRIPTION   | SELLABLE |
|-------------|------------------------|---|----------|
| 1           | 820F268                | Case & Front SA, Standard   | No       |
| 2           | 700F278                | Cap, Case Standard  | No       |
| △ 4         | 820F068<br>853F068     | Hub (Cap Side)<br>Lever<br>Knob   | Yes      |
| △ 5         | 820F078<br>853F078     | Hub (Case Side)<br>Lever<br>Knob  | Yes      |
| 6           | 853F497                | Stop  | Yes      |
| 7           | 684F559                | Stop, Fixed   | Yes      |
| 8           | 813F505                | Hub, Turnpiece Standard   | Yes      |
| 9           | 864F107                | Latchbolt Sub-Assembly, Standard  | Yes      |
| 10          | 702F987                | Deadbolt, Standard  | Yes      |
| 11          | 701F228                | Spring, Deadbolt  | Yes      |
| 12          | 624F488                | Lever, Deadlocking  | Yes      |
| 13          | 700F907                | Spring, Deadlocking Spring  | Yes      |
| 14          | 403F677                | Latch, Axuiliary  | Yes      |
| 15          | 678F548                | Lever, Auxiliary  | Yes      |
| 16          | 678F677                | Spring, Auxiliary Lever   | Yes      |
| 17          | 820F008                | Lever, Hub Assembly   | Yes      |
| 20          | 820F048                | Spring, Hub Lever   | Yes      |
| 21          | 701F748                | Lever, Cylinder Latch Lever   | Yes      |
| 23          | 436F177                | Ring, Retaining   | Yes      |
| □ 28        | 466F229                | Spacer, Square  | Yes      |
| □ 29        | 404F858                | Spring, Lever Return  | Yes      |
| 30          | 402F738                | Bracket, Cylinder Set Screw   | Yes      |
| 31          | 404F868                | Bracket, Align  | Yes      |
| 34          | 684F188                | Screw, FHUM-PH-TITE #8-32 x 3/8"  | Yes      |
| △ 35        | 684F119<br>853F089     | Spacer, Hub<br>Lever<br>Knob  | Yes      |
| □ 36        | 684F129                | Spacer, Lever Return Spring   | Yes      |
| 37          | 684F067                | Screw, Stop   | Yes      |
| 44          | 700F957                | Spring, Cylinder Latch Lever  | Yes      |
| See page 53 | 402F30 FIN*            | Armored Front   | Yes      |
| See page 52 | 236L72018              | Std. Strike   | Yes      |
| See page 75 | 429F41 FIN*<br>488F088 | Mortise Lock Mounting Packet<br><br>NOTE: For double cylinder functions an additional cylinder set screw is required.<br><br>Cylinder Set Screw | Yes      |

\*Specify finish

The warranty on Corbin Russwin products becomes void if the product is modified in any way, regardless of whether the modifications causes or contributes to any alleged defect. If a Corbin Russwin product is modified it may no longer meet industry certification and quality control standards applicable to the original product and is no longer a genuine Corbin Russwin product.

Copyright © 2000-2023, 2025, ASSA ABLOY Access and Egress Hardware Group, Inc. All rights reserved. Reproduction in whole or in part without the express written permission of ASSA ABLOY Access and Egress Hardware Group, Inc. is prohibited. Patent pending and/or patent [www.assaabloydss.com/patents](http://www.assaabloydss.com/patents).

Security Institution or Utility

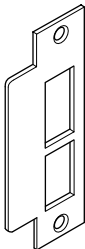
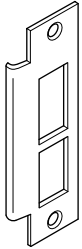
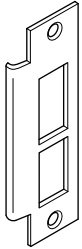



- Parts common to both lever and knob trim designs.
- Parts for lever trim designs only.
- △ Lever and knob trim designs utilize different part numbers. See table.

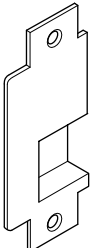
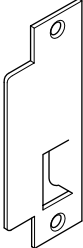
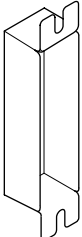
The warranty on Corbin Russwin products becomes void if the product is modified in any way, regardless of whether the modifications causes or contributes to any alleged defect. If a Corbin Russwin product is modified it may no longer meet industry certification and quality control standards applicable to the original product and is no longer a genuine Corbin Russwin product.

Copyright © 2000-2023, 2025, ASSA ABLOY Access and Egress Hardware Group, Inc. All rights reserved. Reproduction in whole or in part without the express written permission of ASSA ABLOY Access and Egress Hardware Group, Inc. is prohibited. Patent pending and/or patent [www.assaabloydss.com/patents](http://www.assaabloydss.com/patents).

(Specify Finish)

|            | Latchbolt & Deadbolt  |   |   | Filler Plate  |
|------------|---|---|---|---|
|            |  |  |  |  |
| Lip Length | Straight Lip  | Curved Lip RH/LHR   | Curved Lip LH/RHR   | Straight Lip  |
| 7/8"       | 236L72M014FIN   | -----   | -----   | -----   |
| 1"         | 236L72M016FIN   | -----   | -----   | 236L70M016FIN   |
| 1-1/8"     | 236L72M018FIN   | 340L60M018FIN   | 340L61M018FIN   | 236L70M018FIN   |
| 1-1/4"     | 236L72M020FIN   | 340L60M020FIN   | 340L61M020FIN   | 236L70M020FIN   |
| 1-3/8"     | 236L72M022FIN   | 340L60M022FIN   | 340L61M022FIN   | 236L70M022FIN   |
| 1-1/2"     | 236L72M024FIN   | 340L60M024FIN   | 340L61M024FIN   | 236L70M024FIN   |
| 1-3/4"     | 236L72M028FIN   | 340L60M028FIN   | 340L61M028FIN   | 236L70M028FIN   |
| 2"         | 236L72M032FIN   | 340L60M032FIN   | 340L61M032FIN   | 236L70M032FIN   |
| 2-1/4"     | 236L72M036FIN   | 340L60M036FIN   | 340L61M036FIN   | 236L70M036FIN   |
| 2-1/2"     | 236L72M040FIN   | 340L60M040FIN   | 340L61M040FIN   | 236L70M040FIN   |
| 2-3/4"     | 236L72M044FIN   | 340L60M044FIN   | 340L61M044FIN   | 236L70M044FIN   |
| 3"         | 236L72M048FIN   | 340L60M048FIN   | 340L61M048FIN   | 236L70M048FIN   |


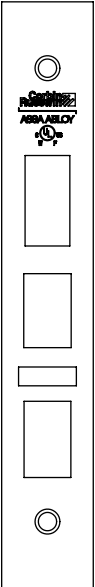
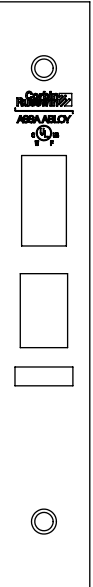
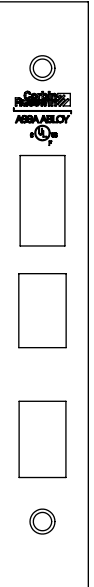
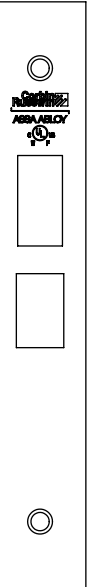
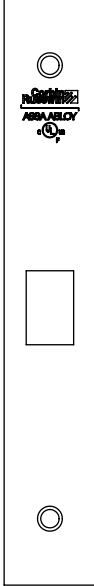
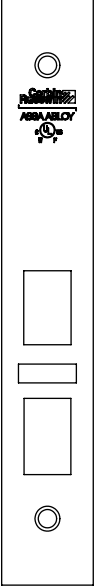
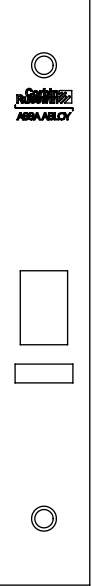
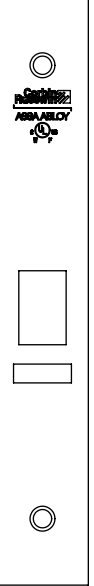

NOTE: On Curved Lip Strikes, the lip length will always be 1/8" longer than the lip length of Straight Lip Strikes for the same door thickness. Example: for 1-3/4" door thickness order Straight Lip Strike in 1-1/8" lip length (236L72M018FIN) or Curved Lip Strike in 1-1/4" lip length (340L60M020FIN). Specify finish.

| Open back Strike  |               |               | Exit Device Strike   |                |                | Wrought Box   |
|---|---------------|---------------|--|----------------|----------------|---|
|  |               |               |  |                |                |  |
| Door Thickness  | LHR           | RHR           | Lip Length   | LHR            | RHR            | Wrought Box is available for all ANSI standardized strikes. Part No.: 120F76          |
| 1-3/4" (016)  | 411L62M016FIN | 411L63M016FIN | 1-1/8"   | 405L138M018FIN | 405L148M018FIN |   |
| 2" (018)  | 411L62M018FIN | 411L63M018FIN | 1-1/4"   | 405L138M020FIN | 405L148M020FIN |   |
| 2-1/4" (020)  | 411L62M020FIN | 411L63M020FIN | 1-3/8"   | 405L138M022FIN | 405L148M022FIN |   |

The warranty on Corbin Russwin products becomes void if the product is modified in any way, regardless of whether the modifications causes or contributes to any alleged defect. If a Corbin Russwin product is modified it may no longer meet industry certification and quality control standards applicable to the original product and is no longer a genuine Corbin Russwin product.

Copyright © 2000-2023, 2025, ASSA ABLOY Access and Egress Hardware Group, Inc. All rights reserved. Reproduction in whole or in part without the express written permission of ASSA ABLOY Access and Egress Hardware Group, Inc. is prohibited. Patent pending and/or patent [www.assaabloydss.com/patents](http://www.assaabloydss.com/patents).

Specify Finish

|   |   |   |   |   |
|---|---|---|---|---|
|  <p><b>For Deadbolt Only</b><br/>           079F00 (Standard)<br/>           079F02 (D138 Option)</p>    |  <p><b>For Deadbolt, Latchbolt, Auxiliary Latch, &amp; Toggle</b><br/>           402F29 (Standard)<br/>           402F33 (D138 Option)</p> |  <p><b>For Deadbolt, Latchbolt, &amp; Auxiliary Latch</b><br/>           402F30 (Standard)<br/>           402F34 (D138 Option)</p> |  <p><b>For Deadbolt, Latchbolt, &amp; Toggle</b><br/>           402F31 (Standard)<br/>           402F35 (D138 Option)</p>  |  <p><b>For Deadbolt &amp; Latchbolt</b><br/>           423F54 (Standard)<br/>           423F57 (D138 Option)</p> |
|  <p><b>For Latchbolt Only</b><br/>           423F55 (Standard)<br/>           423F58 (D138 Option)</p> |  <p><b>For Latchbolt, Auxiliary Latch, &amp; Toggle</b><br/>           681F31 (Standard)<br/>           681F30 (D138 Option)</p>         |  <p><b>For Functions 56 &amp; 58</b><br/>           681F34 (Standard)<br/>           681F35 (D138 Option)</p>                    |  <p><b>For Latchbolt, &amp; Auxiliary Latch</b><br/>           624F49 (Standard)<br/>           624F53 (D138 Option)</p> |  <p><b>For Functions 80 &amp; 90</b><br/>           720F43 (Standard)<br/>           720F46 (D138 Option)</p>  |

The warranty on Corbin Russwin products becomes void if the product is modified in any way, regardless of whether the modifications causes or contributes to any alleged defect. If a Corbin Russwin product is modified it may no longer meet industry certification and quality control standards applicable to the original product and is no longer a genuine Corbin Russwin product.

Copyright © 2000-2023, 2025, ASSA ABLOY Access and Egress Hardware Group, Inc. All rights reserved. Reproduction in whole or in part without the express written permission of ASSA ABLOY Access and Egress Hardware Group, Inc. is prohibited. Patent pending and/or patent [www.assaabloydss.com/patents](http://www.assaabloydss.com/patents).

## Lever or Knob x Wrought Escutcheon

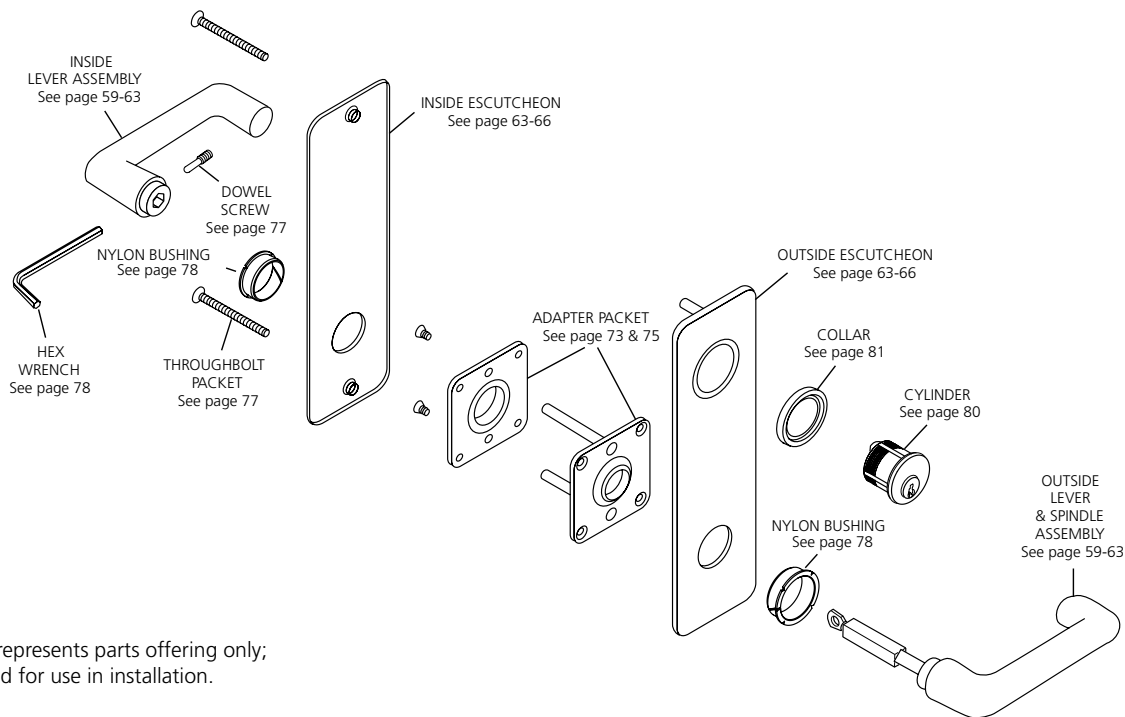


Illustration represents parts offering only; not intended for use in installation.

## Lever or Knob x Cast Escutcheon\*

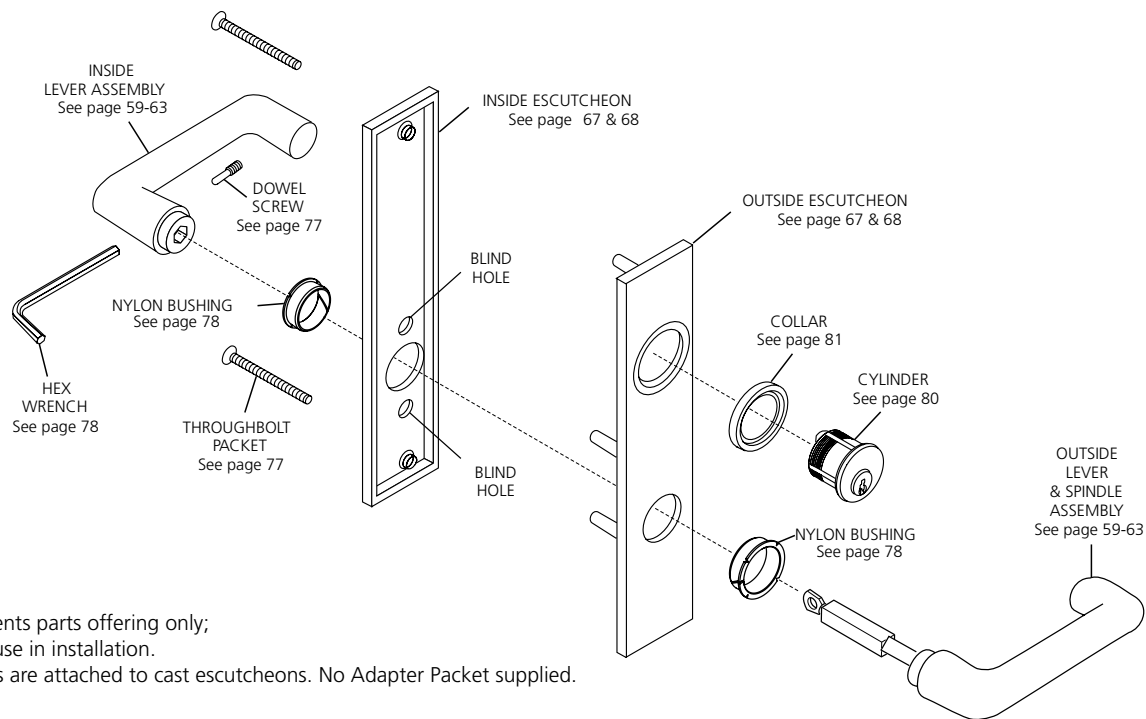


Illustration represents parts offering only; not intended for use in installation.

\*Throughbolt lugs are attached to cast escutcheons. No Adapter Packet supplied.

The warranty on Corbin Russwin products becomes void if the product is modified in any way, regardless of whether the modifications causes or contributes to any alleged defect. If a Corbin Russwin product is modified it may no longer meet industry certification and quality control standards applicable to the original product and is no longer a genuine Corbin Russwin product.

Copyright © 2000-2023, 2025, ASSA ABLOY Access and Egress Hardware Group, Inc. All rights reserved. Reproduction in whole or in part without the express written permission of ASSA ABLOY Access and Egress Hardware Group, Inc. is prohibited. Patent pending and/or patent [www.assaabloydss.com/patents](http://www.assaabloydss.com/patents).

**Vandal Resistant Lever Trim  
Cast Lever x Cast Escutcheon\***

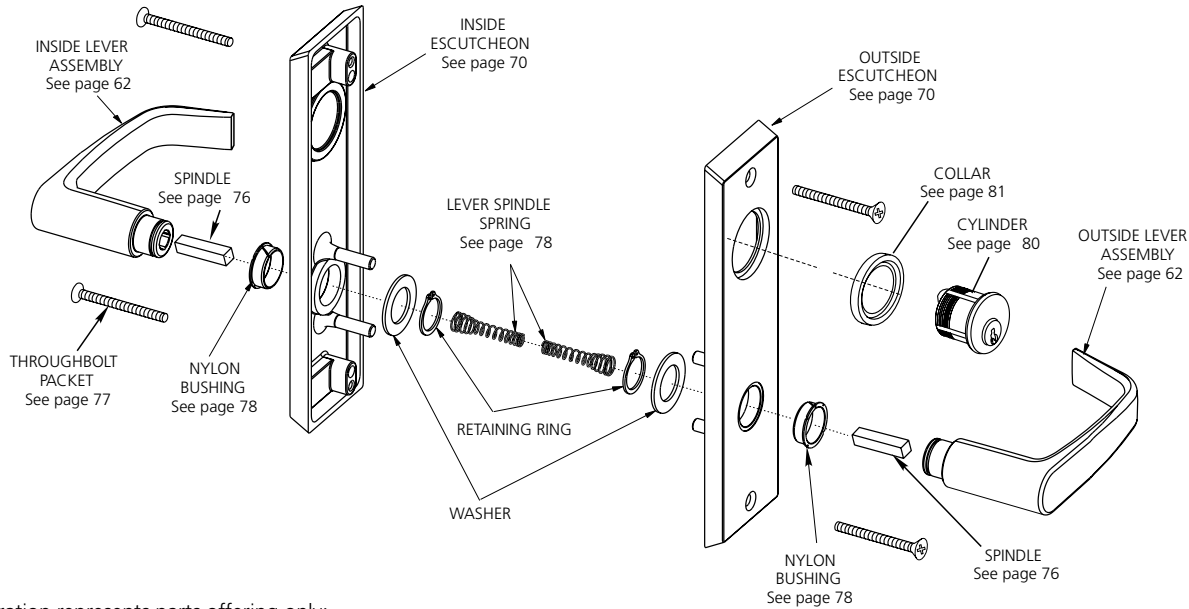


Illustration represents parts offering only;  
not intended for use in installation.  
\*Throughbolt lugs are attached to cast escutcheons. No Adapter Packet supplied.

**Lever or Knob x Rose**

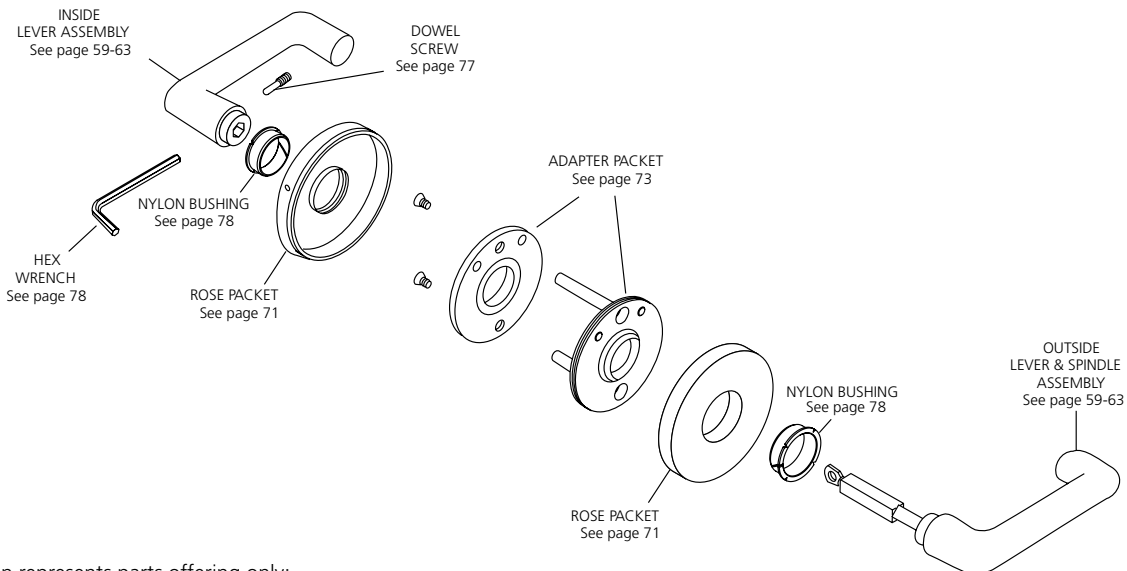


Illustration represents parts offering only;  
not intended for use in installation.

The warranty on Corbin Russwin products becomes void if the product is modified in any way, regardless of whether the modifications causes or contributes to any alleged defect. If a Corbin Russwin product is modified it may no longer meet industry certification and quality control standards applicable to the original product and is no longer a genuine Corbin Russwin product.

Copyright © 2000-2023, 2025, ASSA ABLOY Access and Egress Hardware Group, Inc. All rights reserved. Reproduction in whole or in part without the express written permission of ASSA ABLOY Access and Egress Hardware Group, Inc. is prohibited. Patent pending and/or patent [www.assaabloydss.com/patents](http://www.assaabloydss.com/patents).

## Half Trim – Lever or Knob x Escutcheon

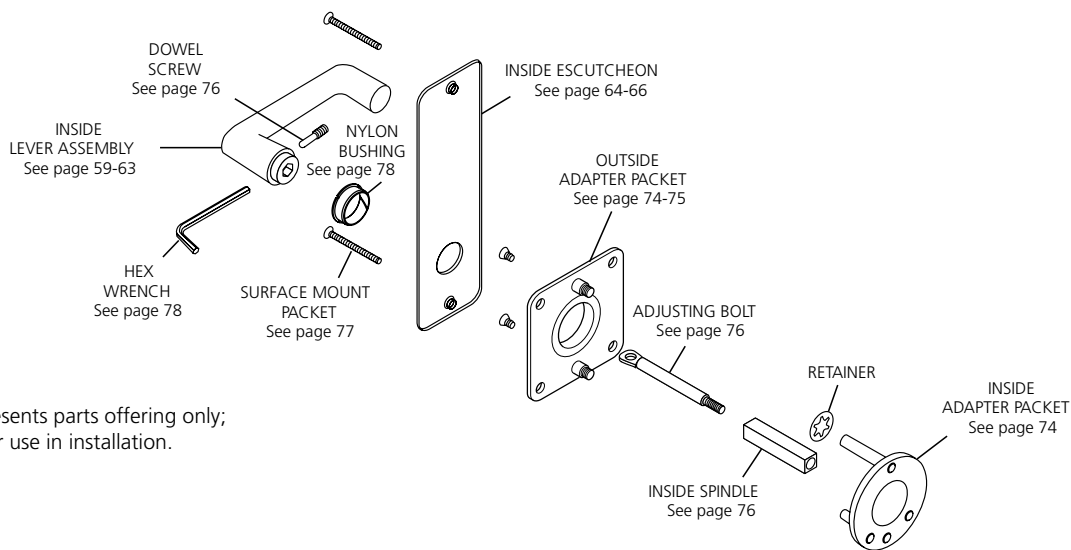


Illustration represents parts offering only; not intended for use in installation.

## Half Trim – Lever or Knob x Rose

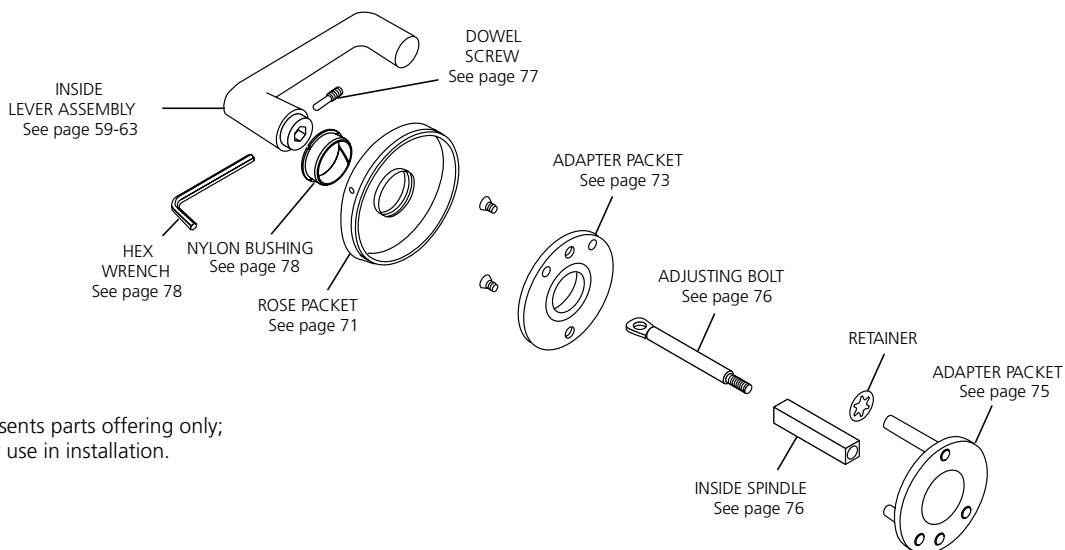


Illustration represents parts offering only; not intended for use in installation.

The warranty on Corbin Russwin products becomes void if the product is modified in any way, regardless of whether the modifications causes or contributes to any alleged defect. If a Corbin Russwin product is modified it may no longer meet industry certification and quality control standards applicable to the original product and is no longer a genuine Corbin Russwin product.

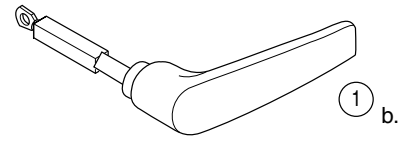
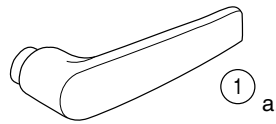
Copyright © 2000-2023, 2025, ASSA ABLOY Access and Egress Hardware Group, Inc. All rights reserved. Reproduction in whole or in part without the express written permission of ASSA ABLOY Access and Egress Hardware Group, Inc. is prohibited. Patent pending and/or patent [www.assaabloydss.com/patents](http://www.assaabloydss.com/patents).



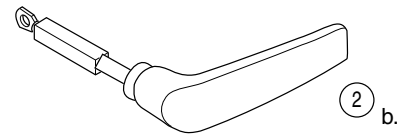
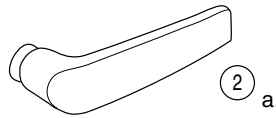
**Inside**  
(Note: All inside levers  
come complete with  
dowel screws 483F30)

**Outside**

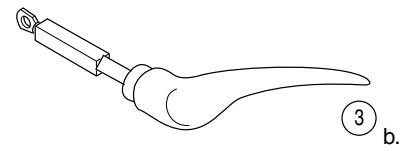
**AS - Armstrong (Cast)**



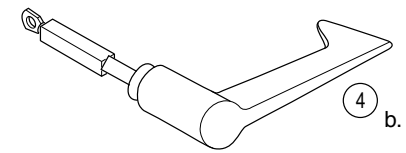
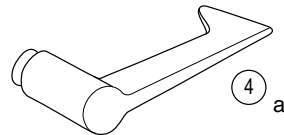
**CS - Citation (Cast)**



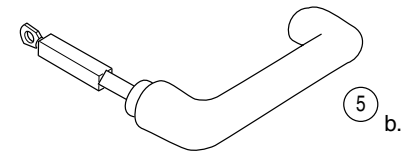
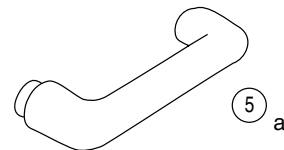
**DS - Dirke (Cast)  
Handed**



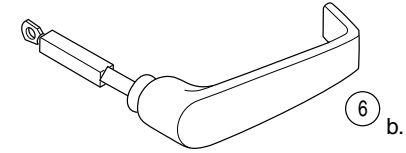
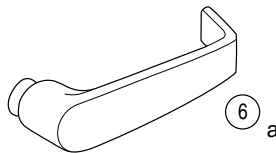
**ES - Essex (Cast)**



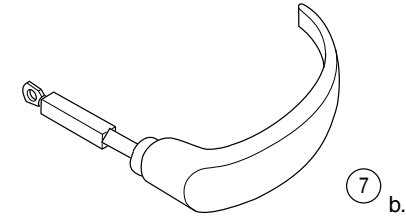
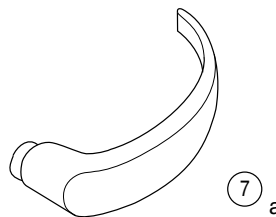
**LS - Lustra (Cast)  
LW - Lustra (Wrought)**



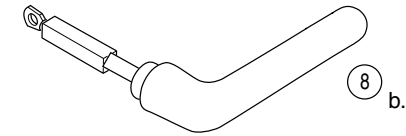
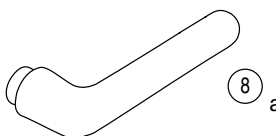
**NS - Newport (Cast)**



**PS - Princeton (Cast)**



**RS - Regis (Cast)  
RW - Regis (Wrought)**



The warranty on Corbin Russwin products becomes void if the product is modified in any way, regardless of whether the modifications causes or contributes to any alleged defect. If a Corbin Russwin product is modified it may no longer meet industry certification and quality control standards applicable to the original product and is no longer a genuine Corbin Russwin product.

Copyright © 2000-2023, 2025, ASSA ABLOY Access and Egress Hardware Group, Inc. All rights reserved. Reproduction in whole or in part without the express written permission of ASSA ABLOY Access and Egress Hardware Group, Inc. is prohibited. Patent pending and/or patent [www.assaabloydss.com/patents](http://www.assaabloydss.com/patents).

# Inside Levers & Outside Lever/ Spindle Assemblies



## ML2000 Parts Manual

| (Specify Finish) |          |                                  |
|------------------|----------|----------------------------------|
| Item             | Part No. | Description                      |
| 1                |          | AS - Armstrong (Cast)            |
| A                | 670F37   | Inside Lever                     |
| B                |          | Outside Lever & Spindle Assembly |
|                  | 670F64   | for 1-3/8" Door                  |
|                  | 670F73   | for 1-3/4" Door                  |
|                  | 671F09   | for 2-1/4" Door                  |
| 2                |          | CS - Citation (Cast)             |
| A                | 670F30   | Inside Lever                     |
| B                |          | Outside Lever & Spindle Assembly |
|                  | 670F57   | for 1-3/8" Door                  |
|                  | 670F66   | for 1-3/4" Door                  |
|                  | 670F02   | for 2-1/4" Door                  |
| 3                |          | DS - Dirke (Cast)                |
| A                |          | Inside Lever for                 |
|                  | 670F32   | LH/LHR                           |
|                  | 670F31   | RH/RHR                           |
| B                |          | Outside Lever & Spindle Assembly |
|                  | 670F59   | for 1-3/8" Door - RH/RHR         |
|                  | 670F58   | for 1-3/8" Door - LH/LHR         |
|                  | 670F68   | for 1-3/4" Door - RH/RHR         |
|                  | 670F67   | for 1-3/4" Door - LH/LHR         |
|                  | 671F04   | for 2-1/4" Door - RH/RHR         |
|                  | 671F03   | for 2-1/4" Door - LH/LHR         |
| 4                |          | ES - Essex (Cast)                |
| A                | 670F33   | Inside Lever                     |
| B                |          | Outside Lever & Spindle Assembly |
|                  | 670F60   | for 1-3/8" Door                  |
|                  | 670F69   | for 1-3/4" Door                  |
|                  | 671F05   | for 2-1/4" Door                  |

| (Specify Finish) |          |                                  |
|------------------|----------|----------------------------------|
| Item             | Part No. | Description                      |
| 5                |          | LS - Lustra (Cast)               |
| A                | 670F34   | Inside Lever                     |
|                  |          | LW - Lustra (Wrought)            |
|                  | 493F31   | Inside Lever                     |
| B                |          | LS - Lustra (Cast)               |
|                  |          | Outside Lever & Spindle Assembly |
|                  | 670F61   | for 1-3/8" Door                  |
|                  | 670F70   | for 1-3/4" Door                  |
|                  | 671F06   | for 2-1/4" Door                  |
|                  |          | LW - Lustra (Wrought)            |
|                  |          | Outside Lever & Spindle Assembly |
|                  | 483F79   | for 1-3/8" Door                  |
|                  | 483F80   | for 1-3/4" Door                  |
|                  | 483F81   | for 2-1/4" Door                  |
| 6                |          | NS - Newport (Cast)              |
| A                | 670F36   | Inside Lever                     |
| B                |          | Outside Lever & Spindle Assembly |
|                  | 670F63   | for 1-3/8" Door                  |
|                  | 670F72   | for 1-3/4" Door                  |
|                  | 671F08   | for 2-1/4" Door                  |
| 7                |          | PS - Princeton (Cast)            |
| A                | 670F38   | Inside Lever                     |
| B                |          | Outside Lever & Spindle Assembly |
|                  | 670F65   | for 1-3/8" Door                  |
|                  | 670F74   | for 1-3/4" Door                  |
|                  | 671F10   | for 2-1/4" Door                  |
| 8                |          | RS - Regis (Cast)                |
| A                | 670F35   | Inside Lever                     |
|                  |          | RW - Regis (Wrought)             |
|                  | 493F34   | Inside Lever                     |
| B                |          | RS - Regis (Cast)                |
|                  |          | Outside Lever & Spindle Assembly |
|                  | 670F62   | for 1-3/8" Door                  |
|                  | 670F71   | for 1-3/4" Door                  |
|                  | 671F07   | for 2-1/4" Door                  |
|                  |          | RW - Regis (Wrought)             |
|                  |          | Outside Lever & Spindle Assembly |
|                  | 483F82   | for 1-3/8" Door                  |
|                  | 483F83   | for 1-3/4" Door                  |
|                  | 483F84   | for 2-1/4" Door                  |

The warranty on Corbin Russwin products becomes void if the product is modified in any way, regardless of whether the modifications causes or contributes to any alleged defect. If a Corbin Russwin product is modified it may no longer meet industry certification and quality control standards applicable to the original product and is no longer a genuine Corbin Russwin product.

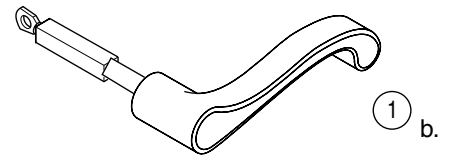
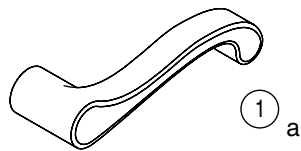
Copyright © 2000-2023, 2025, ASSA ABLOY Access and Egress Hardware Group, Inc. All rights reserved. Reproduction in whole or in part without the express written permission of ASSA ABLOY Access and Egress Hardware Group, Inc. is prohibited. Patent pending and/or patent [www.assaabloydss.com/patents](http://www.assaabloydss.com/patents).



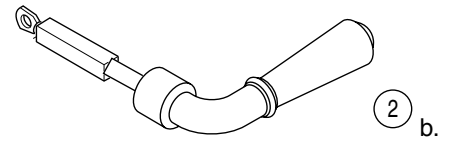
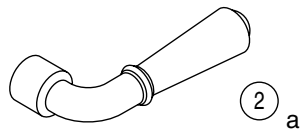
**Inside**  
(Note: All inside levers come complete with dowel screws 483F30)

**Outside**

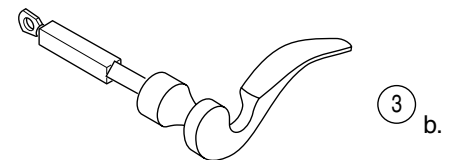
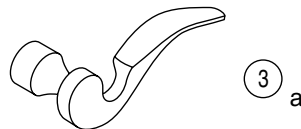
**F - Frascati (Cast)**



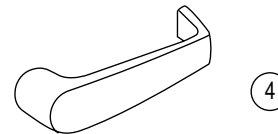
**M - Merlot (Cast)**



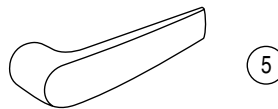
**Z - Zinfandel (Cast)**



**NS - Newport  
(Cast stainless steel)  
(Vandal Resistant)**



**CS - Citation  
(Cast stainless steel)  
(Vandal Resistant)**



(Specify Finish)

| Item   | Part No. | Description  |
|--------|----------|--|
| 1<br>A | 692F63   | FS - Frascati (Cast)<br>Inside Lever for<br>LH/LHR Door                |
|        | 692F64   | RH/RHR Door  |
| B      | 692F75   | Outside Lever & Spindle Assembly<br>for 1-3/4" Door - RH/RHR Door      |
|        | 692F76   | for 1-3/4" Door - LH/LHR Door  |
|        | 692F69   | for 1-3/8" Door - RH/RHR Door  |
|        | 692F70   | for 1-3/8" Door - LH/LHR Door  |
|        | 692F35   | for 2-1/4" Door - RH/RHR Door  |
|        | 692F36   | for 2-1/4" Door - LH/LHR Door  |
| 2<br>A | 692F65   | MS - Merlot (Cast)<br>Inside Lever<br>Outside Lever & Spindle Assembly |
|        | 692F93   | for 1-3/4" Door  |
| B      | 692F71   | for 1-3/8" Door  |
|        | 692F37   | for 2-1/4" Door  |

(Specify Finish)

| Item   | Part No. | Description   |
|--------|----------|---|
| 3<br>A | 692F66   | ZS - Zinfandel (Cast)<br>Inside Lever for<br>LH/LHR Door  |
|        | 692F67   | RH/RHR Door   |
| B      | 692F94   | Outside Lever & Spindle Assembly<br>for 1-3/4" Door - RH/RHR Door   |
|        | 692F95   | for 1-3/4" Door - LH/LHR Door   |
|        | 692F72   | for 1-3/8" Door - RH/RHR Door   |
|        | 692F73   | for 1-3/8" Door - LH/LHR Door   |
|        | 693F38   | for 2-1/4" Door - RH/RHR Door   |
|        | 693F39   | for 2-1/4" Door - LH/LHR Door   |
| 4      | 700F55   | NS - Newport Vandal Resistant<br>(Cast Stainless Steel)<br>Inside & Outside Lever for<br>1 3/4 - 2 1/4" Door  |
| 5      | 700F59   | CS - Citation Vandal Resistant<br>(Cast Stainless Steel)<br>Inside & Outside Lever for<br>1 3/4 - 2 1/4" Door |

The warranty on Corbin Russwin products becomes void if the product is modified in any way, regardless of whether the modifications causes or contributes to any alleged defect. If a Corbin Russwin product is modified it may no longer meet industry certification and quality control standards applicable to the original product and is no longer a genuine Corbin Russwin product.

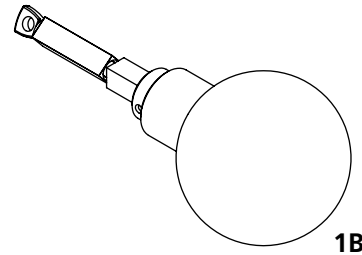
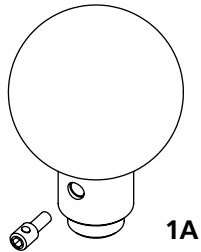
Copyright © 2000-2023, 2025, ASSA ABLOY Access and Egress Hardware Group, Inc. All rights reserved. Reproduction in whole or in part without the express written permission of ASSA ABLOY Access and Egress Hardware Group, Inc. is prohibited. Patent pending and/or patent [www.assaabloydss.com/patents](http://www.assaabloydss.com/patents).

### Inside

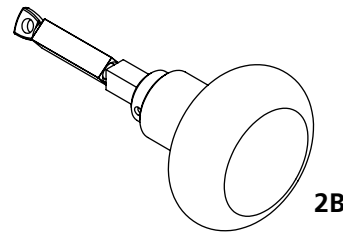
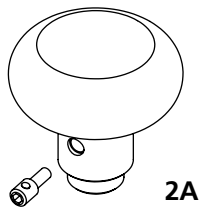
(Note: All inside knobs come complete with dowel screws 483F30)

### Outside

#### GZ - Global Knob



#### YZ - Yankee Knob



(Specify Finish)

| ITEM | PART NO. | DESCRIPTION                     |
|------|----------|---------------------------------|
| 1    |          | GZ - Global                     |
| A    | 854F04   | Inside Knob Assembly            |
| B    |          | Outside Knob & Spindle Assembly |
|      | 854F00   | for 1-3/8" Door                 |
|      | 854F01   | for 1-3/4" Door                 |
|      | 854F03   | for 2-1/4" Door                 |

(Specify Finish)

| ITEM | PART NO. | DESCRIPTION                     |
|------|----------|---------------------------------|
| 2    |          | YZ - Yankee                     |
| A    | 854F09   | Inside Knob Assembly            |
| B    |          | Outside Knob & Spindle Assembly |
|      | 854F05   | for 1-3/8" Door                 |
|      | 854F06   | for 1-3/4" Door                 |
|      | 854F08   | for 2-1/4" Door                 |

The warranty on Corbin Russwin products becomes void if the product is modified in any way, regardless of whether the modifications causes or contributes to any alleged defect. If a Corbin Russwin product is modified it may no longer meet industry certification and quality control standards applicable to the original product and is no longer a genuine Corbin Russwin product.

Copyright © 2000-2023, 2025, ASSA ABLOY Access and Egress Hardware Group, Inc. All rights reserved. Reproduction in whole or in part without the express written permission of ASSA ABLOY Access and Egress Hardware Group, Inc. is prohibited. Patent pending and/or patent [www.assaabloydss.com/patents](http://www.assaabloydss.com/patents).



### Georgia, Laszlo, Jackson, Salvador, Marc, Josef & Georges Levers (Specify Finish)

| LEVER DESIGN | HAND  | PART NO. INSIDE LEVER | PART NO. OUTSIDE LEVER |
|--------------|-------|-----------------------|------------------------|
| 102          |       | 803F61                | 800F06                 |
| 103          |       | 803F62                | 800F11                 |
| 104          |       | 803F63                | 800F16                 |
| 105          |       | 803F64                | 800F21                 |
| 106          |       | 803F65                | 800F26                 |
| 107          |       | 803F66                | 800F31                 |
| 108          |       | 803F67                | 800F36                 |
| 109          |       | 803F68                | 800F41                 |
| 110          |       | 803F69                | 800F46                 |
| 111          | Right | 803F70                | 800F51                 |
|              | Left  | 803F71                | 800F56                 |
| 112          | Right | 803F72                | 800F61                 |
|              | Left  | 803F73                | 800F66                 |
| 114          | Right | 803F76                | 802F61                 |
|              | Left  | 803F77                | 802F66                 |
| 115          | Right | 803F78                | 802F71                 |
|              | Left  | 803F79                | 802F76                 |
| 116          | Right | 803F80                | 802F76                 |
|              | Left  | 803F81                | 801F06                 |
| 117          |       | 803F82                | 801F11                 |
| 119          | Right | 803F85                | 801F26                 |
|              | Left  | 803F86                | 801F31                 |
| 121          | Right | 803F88                | 801F41                 |
|              | Left  | 803F89                | 801F46                 |
| 123          |       | 803F92                | 801F61                 |
| 124          |       | 803F93                | 801F71                 |
| 125          |       | 803F94                | 801F76                 |
| 126          | Right | 803F95                | 801F81                 |
|              | Left  | 803F96                | 801F86                 |
| 127          | Right | 803F97                | 801F91                 |
|              | Left  | 803F98                | 801F96                 |
| 128          |       | 803F99                | 802F01                 |
| 130          | Right | 804F01                | 802F11                 |
|              | Left  | 804F02                | 802F16                 |
| 131          | Right | 804F03                | 802F21                 |
|              | Left  | 804F04                | 802F26                 |
| 132          | Right | 804F05                | 802F31                 |
|              | Left  | 804F06                | 802F36                 |
| 133          |       | 819F52                | 819F50                 |
| 134          |       | 819F55                | 819F53                 |
| 135          |       | 819F85                | 819F83                 |
| 136          |       | 819F88                | 819F86                 |
| 137          |       | 819F91                | 819F89                 |
| 138          |       | 919F94                | 819F92                 |
| 139          |       | 819F64                | 819F62                 |
| 140          | Right | 819F69                | 819F65                 |
|              | Left  | 819F70                | 819F66                 |
| 141          |       | 819F73                | 819F71                 |
| 142          |       | 819F76                | 819F74                 |
| 143          |       | 819F79                | 819F77                 |
| 147          |       | 854F93                | 854F91                 |
| 148          |       | 854F97                | 854F95                 |
| 149          |       | 855F01                | 854F99                 |
| 150          |       | 857F97                | 857F95                 |

### Piet Levers (Specify Finish)

| LEVER DESIGN | FINISH CODE | PART NO. INSIDE LEVER | PART NO. OUTSIDE LEVER |             |
|--------------|-------------|-----------------------|------------------------|-------------|
| 21G          | 303030      | 804F927-32D           | 804F907-32D            |             |
|              | 292929      | 802F477-32            | 802F457-32             |             |
|              | 293029      | 803F577-32            | 803F557-32             |             |
|              | 302930      | 804F977-32D           | 804F957-32D            |             |
|              | 3E003E      | 804F927-10BE          | 804F907-10BE           |             |
|              | B500BS      | 804F927-BSP           | 804F907-BSP            |             |
|              | WS00WS      | 804F927-WSP           | 804F907-WSP            |             |
|              | 30BK30      | 802F837-32D           | 802F817-32D            |             |
|              | 30BN30      | 802F887-32D           | 802F867-32D            |             |
|              | 29BK29      | 802F937-32            | 802F917-32             |             |
| 21L          | 29BN29      | 802F987-32            | 802F967-32             |             |
|              | 3EBK3E      | 802F837-10BE          | 802F817-10BE           |             |
|              | BSBKBS      | 802F887-BSP           | 802F867-BSP            |             |
|              | WSBKWS      | 802F837-WSP           | 802F817-WSP            |             |
|              | 3EBN3E      | 802F887-10BE          | 802F867-10BE           |             |
|              | BSBNBS      | 802F837-BSP           | 802F817-BSP            |             |
|              | WSBNWS      | 802F887-WSP           | 802F867-WSP            |             |
|              | 21M         | 293029                | 803F037-32             | 803F017-32  |
|              |             | 303030                | 803F037-32D            | 803F017-32D |
|              | 21S         | 30BK30                | 803F087-32D            | 803F067-32D |
| 29BK29       |             | 803F137-32            | 803F117-32             |             |
| 3E003E       |             | 803F087-10BE          | 803F067-10BE           |             |
| B500BS       |             | 803F087-BSP           | 803F067-BSP            |             |
| 23M          | WS00WS      | 803F087-WSP           | 803F067-WSP            |             |
|              | 290030      | 803F287-32            | 803F267-32             |             |
|              | 290029      | 803F337-32            | 803F417-32             |             |
|              | 300030      | 803F387-32D           | 803F467-32D            |             |
|              | 300029      | 803F537-32D           | 803F517-32D            |             |
|              | 3E003E      | 803F287-10BE          | 803F267-10BE           |             |
|              | B500BS      | 803F287-BSP           | 803F267-BSP            |             |
|              | WS00WS      | 803F287-WSP           | 803F267-WSP            |             |
|              | 25M         | 290029                | 803F437-32             | 803F317-32  |
|              |             | 300030                | 803F487-32D            | 803F367-32D |
| 3E003E       |             | 803F487-10BE          | 803F367-10BE           |             |
| B500BS       |             | 803F487-BSP           | 803F367-BSP            |             |
| 27M          | WS00WS      | 803F487-WSP           | 803F367-WSP            |             |
|              | 290029      | 804F847-32            | 804F827-32             |             |
|              | 300030      | 804F887-32D           | 804F867-32D            |             |
|              | 3E003E      | 804F887-10BE          | 804F867-10BE           |             |
|              | B500BS      | 804F887-BSP           | 804F867-BSP            |             |
|              | WS00WS      | 804F887-WSP           | 804F867-WSP            |             |

Notes:

- Full escutcheon trim uses two outside levers (one of each hand if lever design is handed).
- Full dummy sectional/rose trim uses two inside levers, all other sectional/rose trim uses one inside and one outside lever.

The warranty on Corbin Russwin products becomes void if the product is modified in any way, regardless of whether the modifications causes or contributes to any alleged defect. If a Corbin Russwin product is modified it may no longer meet industry certification and quality control standards applicable to the original product and is no longer a genuine Corbin Russwin product.

Copyright © 2000-2023, 2025, ASSA ABLOY Access and Egress Hardware Group, Inc. All rights reserved. Reproduction in whole or in part without the express written permission of ASSA ABLOY Access and Egress Hardware Group, Inc. is prohibited. Patent pending and/or patent [www.assaabloydss.com/patents](http://www.assaabloydss.com/patents).



**1**  
Inside  
Blank



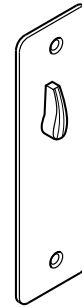
**2**  
Inside For Cylin-  
der Only



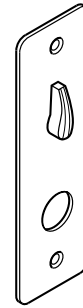
**3**  
Inside For Grip  
Only



**4**  
Inside For  
Cylinder & Grip



**5**  
Inside For  
Thumbturn Lever  
Only



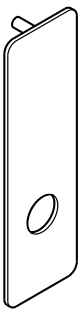
**6**  
Inside For  
Thumbturn Lever  
& Grip



**7**  
Outside  
Blank



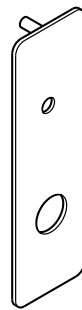
**8**  
Outside  
For Cylinder Only



**9**  
Outside  
For Grip Only



**10**  
Outside  
For Cylinder  
& Grip



**11**  
Outside  
For Grip &  
Emergency Key

**7-1/2" x 2-1/4" Wrought (Specify Finish)**

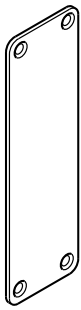
| Item | Part No. | Description                       |
|------|----------|-----------------------------------|
| 1    | 545F45   | Inside - Blank                    |
| 2    | 545F00   | Inside - for Cylinder Only        |
| 3    | 544F95   | Inside - for Grip Only            |
| 4    | 544F96   | Inside - for Cylinder and Grip    |
| 5    |          | Inside - for Thumbturn Lever Only |
|      | 545F42   | for 1-3/8" Door                   |
|      | 545F43   | for 1-3/4" Door                   |
|      | 545F44   | for 2-1/4" Door                   |
|      | 707F79   | for 1-3/8" Door (M34 Option)      |
|      | 707F80   | for 1-3/4" - 2" Door (M34 Option) |
|      | 707F81   | for 2-1/4" Door (M34 Option)      |

**7-1/2" x 2-1/4" Wrought (Specify Finish)**

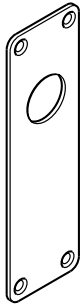
| Item | Part No. | Description                         |
|------|----------|-------------------------------------|
| 6    |          | Inside - for Thumbturn Lever & Grip |
|      | 544F97   | for 1-3/8" Door                     |
|      | 544F98   | for 1-3/4" Door                     |
|      | 544F99   | for 2-1/4" Door                     |
|      | 707F74   | for 1-3/8" Door (M34 Option)        |
|      | 707F75   | for 1-3/4" - 2" Door (M34 Option)   |
|      | 707F76   | for 2-1/4" Door (M34 Option)        |
| 7    | 383F82   | Outside - Blank                     |
| 8    | 488F07   | Outside - for Cylinders Only        |
| 9    | 488F04   | Outside - for Grip Only             |
| 10   | 488F05   | Outside - for Cylinder and Grip     |
| 11   | 544F94   | Outside - for Grip & Emergency Key  |

The warranty on Corbin Russwin products becomes void if the product is modified in any way, regardless of whether the modifications causes or contributes to any alleged defect. If a Corbin Russwin product is modified it may no longer meet industry certification and quality control standards applicable to the original product and is no longer a genuine Corbin Russwin product.

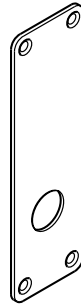
Copyright © 2000-2023, 2025, ASSA ABLOY Access and Egress Hardware Group, Inc. All rights reserved. Reproduction in whole or in part without the express written permission of ASSA ABLOY Access and Egress Hardware Group, Inc. is prohibited. Patent pending and/or patent [www.assaabloydss.com/patents](http://www.assaabloydss.com/patents).



**1**  
Inside  
Blank



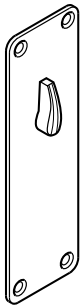
**2**  
Inside or  
Outside For Cylinder Only



**3**  
Inside or  
Outside  
For Grip Only



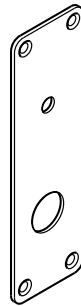
**4**  
Inside or  
Outside For Cylinder & Grip



**5**  
Inside For  
Thumbturn  
Lever Only



**6**  
Inside For  
Thumbturn  
Lever & Grip



**7**  
Outside  
For Grip &  
Emergency Key

**7-1/2" x 2-1/4" Wrought (Specify Finish)**

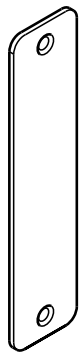
| Item | Part No. | Description                               |
|------|----------|---|
| 1    | 544F93   | Inside or Outside - Blank                 |
| 2    | 544F80   | Inside or Outside - for Cylinder Only     |
| 3    | 544F76   | Inside or Outside - for Grip Only         |
| 4    | 544F77   | Inside or Outside - for Cylinder and Grip |
| 5    |          | Inside - for Thumbturn Lever Only         |
|      | 544F92   | for 1-3/8" Door                           |
|      | 544F89   | for 1-3/4" Door                           |
|      | 544F91   | for 2-1/4" Door                           |
|      | 707F89   | for 1-3/8" Door (M34 Option)              |
|      | 707F90   | for 1-3/4" - 2" Door (M34 Option)         |
|      | 707F91   | for 2-1/4" Door (M34 Option)              |

**7-1/2" x 2-1/4" Wrought (Specify Finish)**

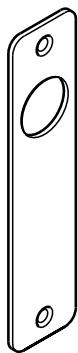
| Item | Part No. | Description                         |
|------|----------|-------------------------------------|
| 6    |          | Inside - for Thumbturn Lever & Grip |
|      | 544F88   | for 1-3/8" Door                     |
|      | 544F85   | for 1-3/4" Door                     |
|      | 544F87   | for 2-1/4" Door                     |
|      | 707F84   | for 1-3/8" Door (M34 Option)        |
|      | 707F85   | for 1-3/4" - 2" Door (M34 Option)   |
|      | 707F86   | for 2-1/4" Door (M34 Option)        |
| 7    | 544F79   | Outside - for Grip & Emergency Key  |

The warranty on Corbin Russwin products becomes void if the product is modified in any way, regardless of whether the modifications causes or contributes to any alleged defect. If a Corbin Russwin product is modified it may no longer meet industry certification and quality control standards applicable to the original product and is no longer a genuine Corbin Russwin product.

Copyright © 2000-2023, 2025, ASSA ABLOY Access and Egress Hardware Group, Inc. All rights reserved. Reproduction in whole or in part without the express written permission of ASSA ABLOY Access and Egress Hardware Group, Inc. is prohibited. Patent pending and/or patent [www.assaabloydss.com/patents](http://www.assaabloydss.com/patents).



**1**  
Inside  
Blank



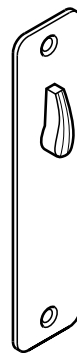
**2**  
Inside  
For Cylinder Only



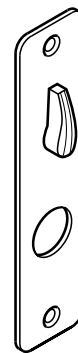
**3**  
Inside  
For Grip Only



**4**  
Inside  
For Cylinder  
& Grip



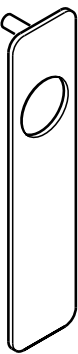
**5**  
Inside For  
Thumbturn Lever  
Only



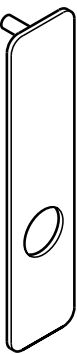
**6**  
Inside For  
Thumbturn Lever  
& Grip



**7**  
Outside  
Blank



**8**  
Outside  
For Cylinder Only



**9**  
Outside  
For Grip Only



**10**  
Outside  
For Cylinder  
& Grip



**11**  
Outside  
For Grip &  
Emergency Key

**7" x 1-5/8" Wrought (Specify Finish)**

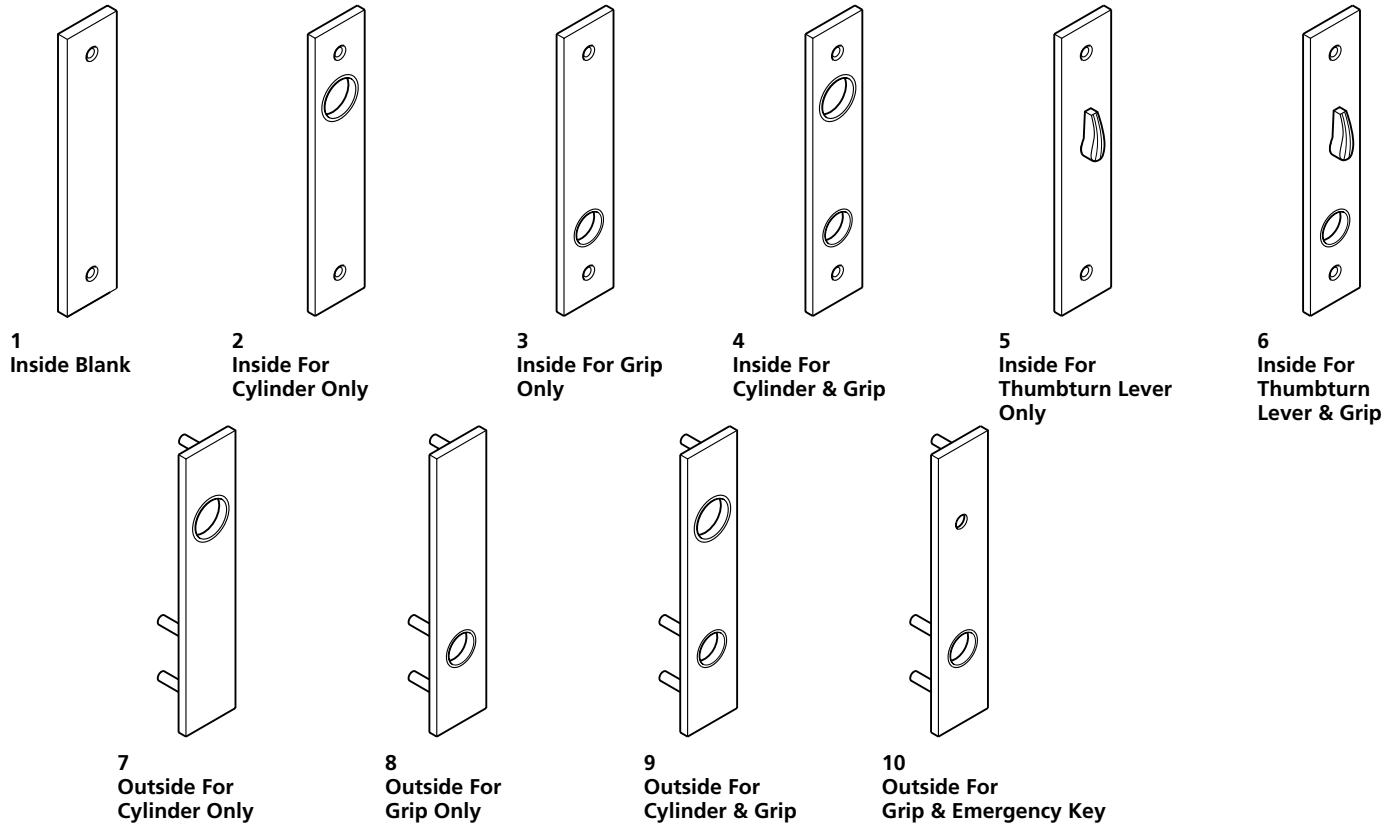
| Item | Part No. | Description                       |
|------|----------|-----------------------------------|
| 1    | 544F46   | Inside - Blank                    |
| 2    | 544F43   | Inside - for Cylinder Only        |
| 3    | 544F39   | Inside - for Grip Only            |
| 4    | 544F40   | Inside - for Cylinder and Grip    |
| 5    |          | Inside - for Thumbturn Lever Only |
|      | 544F14   | for 1-3/8" Door                   |
|      | 544F45   | for 1-3/4" Door                   |
|      | 544F44   | for 2-1/4" Door                   |
|      | 709F05   | for 1-3/8" Door (M34 Option)      |
|      | 709F06   | for 1-3/4" - 2" Door (M34 Option) |
|      | 709F07   | for 2-1/4" Door (M34 Option)      |

**7" x 1-5/8" Wrought (Specify Finish)**

| Item | Part No. | Description                         |
|------|----------|-------------------------------------|
| 6    |          | Inside - for Thumbturn Lever & Grip |
|      | 544F13   | for 1-3/8" Door                     |
|      | 544F42   | for 1-3/4" Door                     |
|      | 544F41   | for 2-1/4" Door                     |
|      | 709F00   | for 1-3/8" Door (M34 Option)        |
|      | 709F01   | for 1-3/4" - 2" Door (M34 Option)   |
|      | 709F02   | for 2-1/4" Door (M34 Option)        |
| 7    | 384F11   | Outside - Blank                     |
| 8    | 488F03   | Outside - for Cylinder Only         |
| 9    | 488F00   | Outside - for Grip Only             |
| 10   | 488F01   | Outside - for Cylinder & Grip       |
| 11   | 544F38   | Outside - for Grip & Emergency Key  |

The warranty on Corbin Russwin products becomes void if the product is modified in any way, regardless of whether the modifications causes or contributes to any alleged defect. If a Corbin Russwin product is modified it may no longer meet industry certification and quality control standards applicable to the original product and is no longer a genuine Corbin Russwin product.

Copyright © 2000-2023, 2025, ASSA ABLOY Access and Egress Hardware Group, Inc. All rights reserved. Reproduction in whole or in part without the express written permission of ASSA ABLOY Access and Egress Hardware Group, Inc. is prohibited. Patent pending and/or patent [www.assaabloydss.com/patents](http://www.assaabloydss.com/patents).



**8-1/2" x 1-3/4" Cast (Specify Finish)**

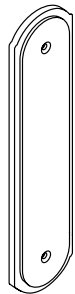
| Item | Part No. | Description  |
|------|----------|--|
| 1    | 545F79   | Inside - Blank   |
| 2    | 545F88   | Inside - for Cylinder Only                             |
| 3    |          | Inside - for Grip Only                                 |
|      | 545F87   | Standard   |
|      | 807F90   | Muséo Option   |
| 4    |          | Inside - for Cylinder and Grip                         |
|      | 545F80   | Standard   |
|      | 807F91   | Muséo Option   |
| 5    |          | Inside - for Thumbturn Lever Only                      |
|      | 545F84   | for 1-3/8" Door  |
|      | 545F85   | for 1-3/4" Door  |
|      | 545F86   | for 2-1/4" Door  |
|      | 709F33   | for 1-3/8" Door (M34 Option)                           |
|      | 709F34   | for 1-3/4" - 2" Door (M34 Option)                      |
|      | 709F35   | for 2-1/4" Door (M34 Option)                           |
| 6    |          | Inside - for Thumbturn Lever & Grip                    |
|      | 545F81   | for 1-3/8" Door  |
|      | 545F82   | for 1-3/4" Door  |
|      | 545F83   | for 2-1/4" Door  |
|      | 709F30   | for 1-3/8" Door (M34 Option)                           |
|      | 709F31   | for 1-3/4" - 2" Door (M34 Option)                      |
|      | 709F32   | for 2-1/4" Door (M34 Option)                           |
|      | 807F92   | for 1-3/4" (Muséo Option with Standard Thumbturn)      |
|      | 807F93   | for 2" (Muséo Option with Standard Thumbturn)          |
|      | 807F94   | for 2-1/4" (Muséo Option with Standard Thumbturn)      |
|      | 807F95   | for 1-3/4" - 2" (Muséo Option with M34 Ergo Thumbturn) |
|      | 807F96   | for 2-1/4" (Muséo Option with M34 Ergo Thumbturn)      |

**8-1/2" x 1-3/4" Cast (Specify Finish)**

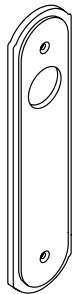
| Item | Part No. | Description                        |
|------|----------|------------------------------------|
| 7    |          | Outside - for Cylinder Only        |
|      | 427F44   | for 1-3/8" Door                    |
|      | 427F45   | for 1-3/4" Door                    |
|      | 485F77   | for 2-1/4" Door                    |
| 8    |          | Outside - For Grip Only            |
|      | 427F42   | for 1-3/8" Door                    |
|      | 427F43   | for 1-3/4" Door                    |
|      | 485F76   | for 2-1/4" Door                    |
|      | 807F97   | for 1-3/4" Door (Muséo Option)     |
|      | 807F98   | for 2" Door (Muséo Option)         |
|      | 807F99   | for 2-1/4" Door (Muséo Option)     |
| 9    |          | Outside - For Cylinder and Grip    |
|      | 427F38   | for 1-3/8" Door                    |
|      | 427F39   | for 1-3/4" Door                    |
|      | 485F75   | for 2-1/4" Door                    |
|      | 808F03   | for 1-3/4" Door (Muséo Option)     |
|      | 808F04   | for 2" Door (Muséo Option)         |
|      | 808F05   | for 2-1/4" Door (Muséo Option)     |
| 10   |          | Outside - for Grip & Emergency Key |
|      | 427F46   | for 1-3/8" Door                    |
|      | 427F47   | for 1-3/4" Door                    |
|      | 485F78   | for 2-1/4" Door                    |
|      | 808F00   | for 1-3/4" Door (Muséo Option)     |
|      | 808F01   | for 2" Door (Muséo Option)         |
|      | 808F02   | for 2-1/4" Door (Muséo Option)     |

The warranty on Corbin Russwin products becomes void if the product is modified in any way, regardless of whether the modifications causes or contributes to any alleged defect. If a Corbin Russwin product is modified it may no longer meet industry certification and quality control standards applicable to the original product and is no longer a genuine Corbin Russwin product.

Copyright © 2000-2023, 2025, ASSA ABLOY Access and Egress Hardware Group, Inc. All rights reserved. Reproduction in whole or in part without the express written permission of ASSA ABLOY Access and Egress Hardware Group, Inc. is prohibited. Patent pending and/or patent [www.assaabloydss.com/patents](http://www.assaabloydss.com/patents).



**1**  
Inside  
Blank



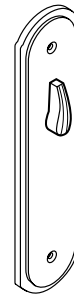
**2**  
Inside For  
Cylinder  
Only



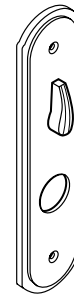
**3**  
Inside For  
Grip Only



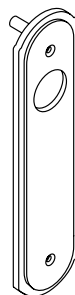
**4**  
Inside For  
Cylinder &  
Grip



**5**  
Inside For  
Thumbturn  
Lever Only



**6**  
Inside For  
Thumbturn  
Lever & Grip



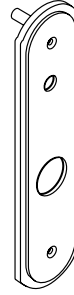
**7**  
Outside For  
Cylinder  
Only



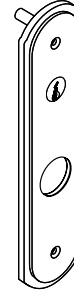
**8**  
Outside For  
Grip Only



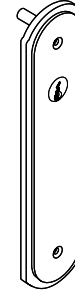
**9**  
Outside For  
Cylinder &  
Grip



**10**  
Outside For Grip  
& Emergency  
Key



**11**  
Outside  
For Grip  
& Plug



**12**  
Outside For  
Plug Only

**9-3/16" x 2-3/16" Cast (Specify Finish)**

| Item | Part No. | Description  |
|------|----------|--|
| 1    | 692F86   | Inside - Blank                                       |
| 2    | 694F32   | Inside - for Cylinder Only                           |
| 3    | 694F31   | Standard   |
|      | 807F50   | Muséo Option   |
| 4    | 694F33   | Standard   |
|      | 807F51   | Muséo Option   |
| 5    | 694F34   | Inside - for Thumbturn Lever Only<br>for 1-3/8" Door |
|      | 694F35   | for 1-3/4" Door                                      |
|      | 694F36   | for 2" Door  |
|      | 694F37   | for 2-1/4" Door                                      |
|      | 709F13   | for 1-3/8" Door (M34 Option)                         |
|      | 709F14   | for 1-3/4" Door (M34 Option)                         |
|      | 709F15   | for 2-1/4" Door (M34 Option)                         |

**9-3/16" x 2-3/16" Cast (Specify Finish)**

| Item | Part No. | Description  |
|------|----------|--|
| 6    | 694F38   | Inside - for Thumbturn Lever & Grip<br>for 1-3/8" Door |
|      | 694F39   | for 1-3/4" Door  |
|      | 694F40   | for 2" Door  |
|      | 694F41   | for 2-1/4" Door  |
|      | 709F10   | for 1-3/8" Door (M34 Option)                           |
|      | 709F11   | for 1-3/4" Door (M34 Option)                           |
|      | 709F12   | for 2-1/4" Door (M34 Option)                           |
|      | 807F52   | for 1-3/4" (Muséo Option with Standard Thumbturn)      |
|      | 807F53   | for 2" (Muséo Option with Standard Thumbturn)          |
|      | 807F54   | for 2-1/4" (Muséo Option with Standard Thumbturn)      |
| 7    | 807F55   | for 1-3/4" - 2" (Muséo Option with M34 Ergo Thumbturn) |
|      | 807F56   | for 2-1/4" (Muséo Option with M34 Ergo Thumbturn)      |
|      | 694F51   | Outside - for Cylinder Only<br>for 1-3/8" Door         |
|      | 694F52   | for 1-3/4" Door  |
|      | 694F53   | for 2" Door  |
|      | 694F54   | for 2-1/4" Door  |

The warranty on Corbin Russwin products becomes void if the product is modified in any way, regardless of whether the modifications causes or contributes to any alleged defect. If a Corbin Russwin product is modified it may no longer meet industry certification and quality control standards applicable to the original product and is no longer a genuine Corbin Russwin product.

Copyright © 2000-2023, 2025, ASSA ABLOY Access and Egress Hardware Group, Inc. All rights reserved. Reproduction in whole or in part without the express written permission of ASSA ABLOY Access and Egress Hardware Group, Inc. is prohibited. Patent pending and/or patent [www.assaabloydss.com/patents](http://www.assaabloydss.com/patents).

## 9-3/16" x 2-3/16" Cast (Specify Finish)

| Item | Part No. | Description                        |
|------|----------|------------------------------------|
| 8    |          | Outside - for Grip Only            |
|      | 694F43   | for 1-3/8" Door                    |
|      | 694F44   | for 1-3/4" Door                    |
|      | 694F45   | for 2" Door                        |
|      | 694F46   | for 2-1/4" Door                    |
|      | 807F57   | for 1-3/4" Door (Muséo Option)     |
|      | 807F58   | for 2" Door (Muséo Option)         |
|      | 807F59   | for 2-1/4" Door (Muséo Option)     |
| 9    |          | Outside - for Cylinder & Grip      |
|      | 694F55   | for 1-3/8" Door                    |
|      | 694F56   | for 1-3/4" Door                    |
|      | 694F57   | for 2" Door                        |
|      | 694F58   | for 2-1/4" Door                    |
|      | 807F63   | for 1-3/4" Door (Muséo Option)     |
|      | 807F64   | for 2" Door (Muséo Option)         |
|      | 807F65   | for 2-1/4" Door (Muséo Option)     |
| 10   |          | Outside - for Grip & Emergency Key |
|      | 694F47   | for 1-3/8" Door                    |
|      | 694F48   | for 1-3/4" Door                    |
|      | 694F49   | for 2" Door                        |
|      | 694F50   | for 2-1/4" Door                    |
|      | 807F60   | for 1-3/4" Door (Muséo Option)     |
|      | 807F61   | for 2" Door (Muséo Option)         |
|      | 807F62   | for 2-1/4" Door (Muséo Option)     |

## 9-3/16" x 2-3/16" Cast (Specify Finish)

| Item | Part No. | Description               |
|------|----------|---------------------------|
| 11   |          | Outside - for Grip & Plug |
|      | 694F67   | for 1-3/8" Door           |
|      | 694F68   | for 1-3/4" Door           |
|      | 694F69   | for 2" Door               |
|      | 694F70   | for 2-1/4" Door           |
| 12   |          | Outside - for Plug Only   |
|      | 694F63   | for 1-3/8" Door           |
|      | 694F64   | for 1-3/4" Door           |
|      | 694F65   | for 2" Door               |
|      | 694F66   | for 2-1/4" Door           |

The warranty on Corbin Russwin products becomes void if the product is modified in any way, regardless of whether the modifications causes or contributes to any alleged defect. If a Corbin Russwin product is modified it may no longer meet industry certification and quality control standards applicable to the original product and is no longer a genuine Corbin Russwin product.

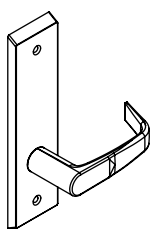
Copyright © 2000-2023, 2025, ASSA ABLOY Access and Egress Hardware Group, Inc. All rights reserved. Reproduction in whole or in part without the express written permission of ASSA ABLOY Access and Egress Hardware Group, Inc. is prohibited. Patent pending and/or patent [www.assaabloydss.com/patents](http://www.assaabloydss.com/patents).



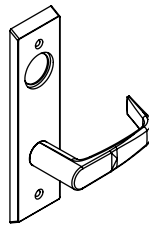
**1**  
Inside  
Blank



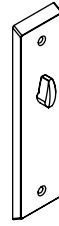
**2**  
Inside For  
Cylinder Only



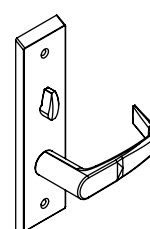
**3**  
Inside For Grip  
Only



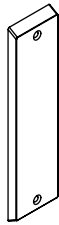
**4**  
Inside For  
Cylinder &  
Grip



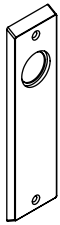
**5**  
Inside For  
Thumbturn  
Lever Only



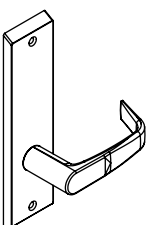
**6**  
Inside For  
Thumbturn  
Lever & Grip



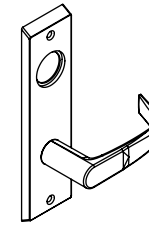
**7**  
Outside  
Blank



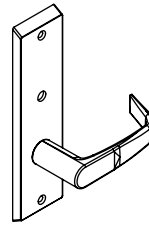
**8**  
Outside For  
Cylinder Only



**9**  
Outside For  
Grip Only



**10**  
Outside For  
Cylinder & Grip



**11**  
Outside For  
Grip &  
Emergency Key

**8-1/2" x 2-1/8" Cast (Specify Finish)**

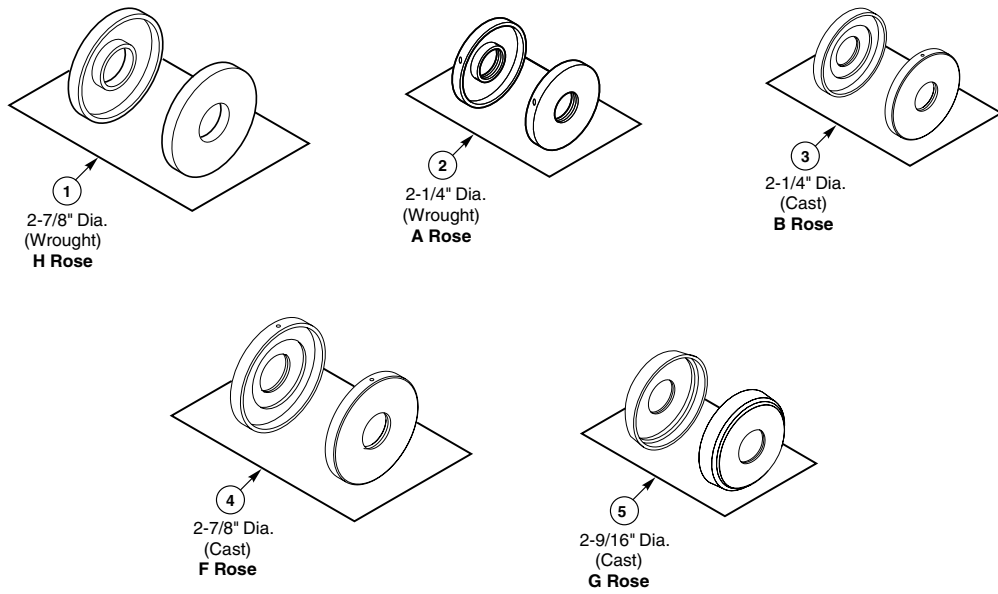
| Item | Part No. | Description  |
|------|----------|--|
| 1    | 700F40   | Inside - Blank   |
| 2    | 702F06   | Inside - for Cylinder Only<br>Standard                 |
|      | 702F17   | 7P & C6  |
| 3    | 702F00   | Inside - for Grip Only<br>Newport Lever                |
|      | 702F01   | Citation Lever   |
| 4    | 702F03   | Inside - for Cylinder and Grip<br>Newport Lever        |
|      | 702F04   | Citation Lever   |
|      | 702F14   | Newport Lever (7P & C6)                                |
|      | 702F15   | Citation Lever (7P & C6)                               |
| 5    | 702F10   | Inside - for Thumbturn Lever Only<br>Standard          |
|      | 707F71   | M34 Option   |
| 6    | 702F07   | Inside - for Thumbturn Lever and Grip<br>Newport Lever |
|      | 702F08   | Citation Lever   |
|      | 707F69   | Newport Lever (M34 Option)                             |
|      | 707F70   | Citation Lever (M34 Option)                            |

**8-1/2" x 2-1/8" Cast (Specify Finish)**

| Item | Part No. | Description   |
|------|----------|---|
| 7    | 700F80   | Outside - Blank                                     |
| 8    | 702F24   | Outside - for Cylinder Only<br>Standard             |
|      | 702F31   | 7P & C6   |
| 9    | 702F18   | Outside - for Grip Only<br>Newport Lever            |
|      | 702F19   | Citation Lever                                      |
| 10   | 702F21   | Outside - for Cylinder & Grip<br>Newport Lever      |
|      | 702F22   | Citation Lever                                      |
|      | 702F28   | Newport Lever (7P & C6)                             |
|      | 702F29   | Citation Lever (7P & C6)                            |
| 11   | 702F59   | Outside - for Grip & Emergency Key<br>Newport Lever |
|      | 702F60   | Citation Lever                                      |

The warranty on Corbin Russwin products becomes void if the product is modified in any way, regardless of whether the modifications causes or contributes to any alleged defect. If a Corbin Russwin product is modified it may no longer meet industry certification and quality control standards applicable to the original product and is no longer a genuine Corbin Russwin product.

Copyright © 2000-2023, 2025, ASSA ABLOY Access and Egress Hardware Group, Inc. All rights reserved. Reproduction in whole or in part without the express written permission of ASSA ABLOY Access and Egress Hardware Group, Inc. is prohibited. Patent pending and/or patent [www.assaabloydss.com/patents](http://www.assaabloydss.com/patents).

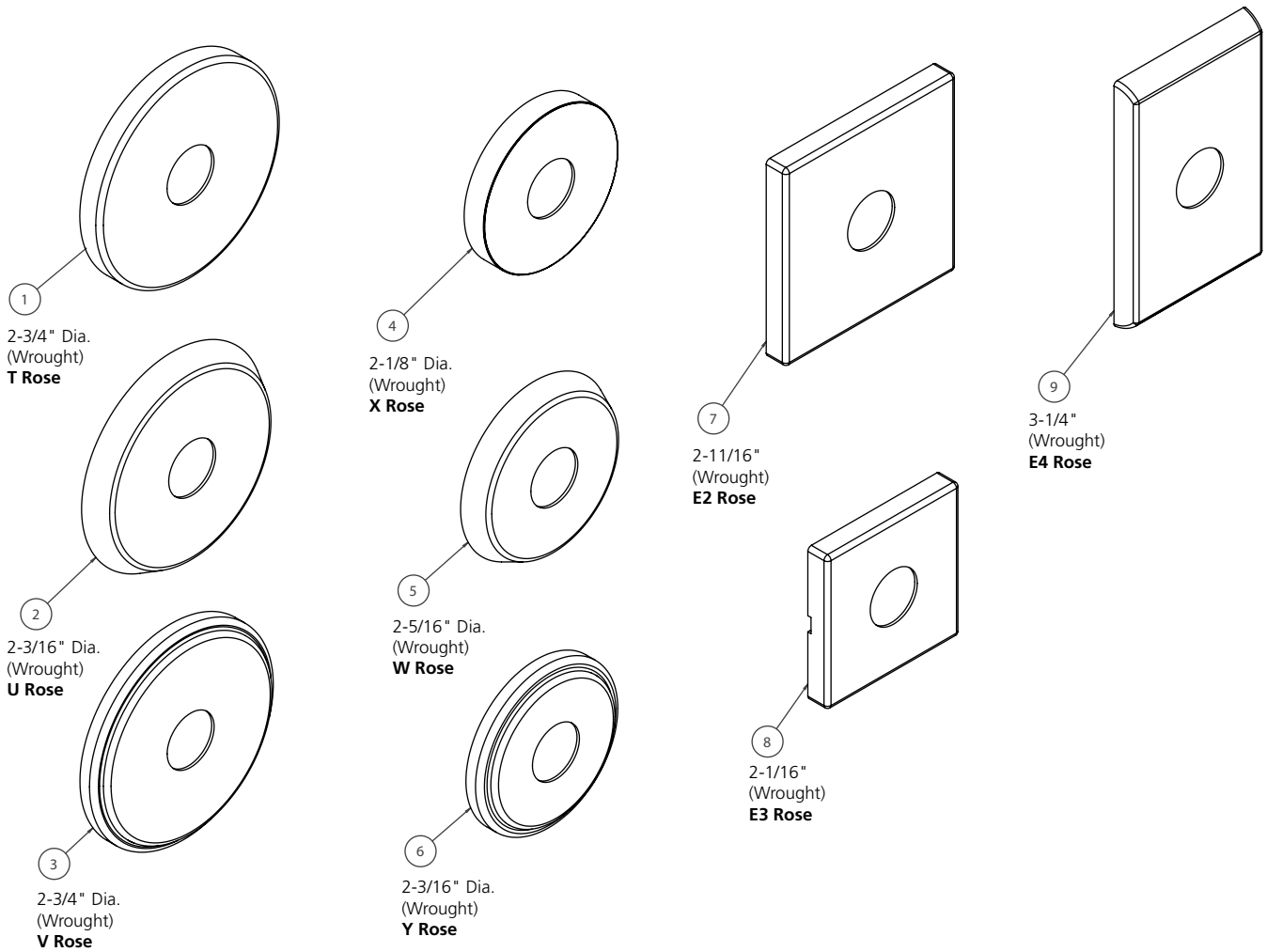


**(Specify Finish)**

| Item | Part No. | Description   |
|------|----------|---|
| 1    | 852F39   | Wrought Rose Packet, containing:<br>(Qty. 2) 2-7/8" Dia. Roses (H Roses)                      |
| 2    | 487F08   | Wrought Rose Packet, containing:<br>(Qty. 2) 2-1/4" Dia. Roses (A Roses)                      |
| 3    | 447F25   | Cast Rose Packet, containing:<br>(Qty. 2) 2-1/4" Dia. Roses (B Roses)                         |
| 4    | 447F24   | Cast Rose Packet, containing:<br>(Qty. 2) 2-7/8" Dia. Roses (F Roses)                         |
| 5    | 694F80   | Cast Rose Packet, containing:<br>(Qty. 2) 2-9/16" Dia. Vineyard<br>Collection Roses (G Roses) |

The warranty on Corbin Russwin products becomes void if the product is modified in any way, regardless of whether the modifications causes or contributes to any alleged defect. If a Corbin Russwin product is modified it may no longer meet industry certification and quality control standards applicable to the original product and is no longer a genuine Corbin Russwin product.

Copyright © 2000-2023, 2025, ASSA ABLOY Access and Egress Hardware Group, Inc. All rights reserved. Reproduction in whole or in part without the express written permission of ASSA ABLOY Access and Egress Hardware Group, Inc. is prohibited. Patent pending and/or patent [www.assaabloydss.com/patents](http://www.assaabloydss.com/patents).



**(Specify Finish)**

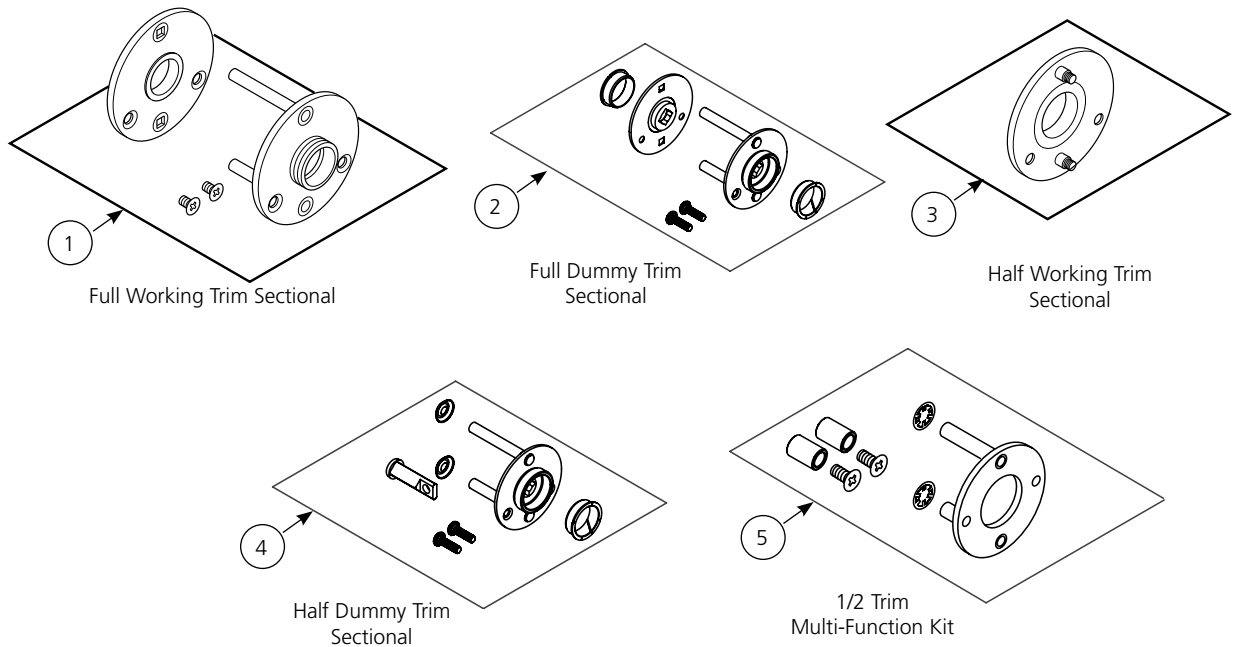
| Item | Part No. | Description   |
|------|----------|---|
| 1    | 808F70   | Wrought Rose Packet, containing:<br>(Qty. 1) 2-3/4" Dia. Muséo Rose (T Rose)  |
| 2    | 808F72   | Wrought Rose Packet, containing:<br>(Qty. 1) 2-3/16" Dia. Muséo Rose (U Rose) |
| 3    | 808F74   | Wrought Rose Packet, containing:<br>(Qty. 1) 2-3/4" Dia. Muséo Rose (V Rose)  |
| 4    | 808F76   | Wrought Rose Packet, containing:<br>(Qty. 1) 2-1/8" Dia. Muséo Rose (X Rose)  |
| 5    | 808F77   | Wrought Rose Packet, containing:<br>(Qty. 1) 2-5/16" Dia. Muséo Rose (W Rose) |

**(Specify Finish)**

| Item | Part No. | Description   |
|------|----------|---|
| 6    | 808F78   | Wrought Rose Packet, containing:<br>(Qty. 1) 2-3/16" Dia. Muséo Rose (Y Rose)   |
| 7    | 811F14   | Wrought Rose Packet, containing:<br>(Qty. 1) 2-11/16" Dia. Muséo Rose (E2 Rose) |
| 8    | 811F13   | Wrought Rose Packet, containing:<br>(Qty. 1) 2-1/16" Dia. Muséo Rose (E3 Rose)  |
| 9    | 819F82   | Wrought Rose Packet, containing:<br>(Qty. 1) 3-1/4" Dia. Muséo Rose (E4 Rose)   |

The warranty on Corbin Russwin products becomes void if the product is modified in any way, regardless of whether the modifications causes or contributes to any alleged defect. If a Corbin Russwin product is modified it may no longer meet industry certification and quality control standards applicable to the original product and is no longer a genuine Corbin Russwin product.

Copyright © 2000-2023, 2025, ASSA ABLOY Access and Egress Hardware Group, Inc. All rights reserved. Reproduction in whole or in part without the express written permission of ASSA ABLOY Access and Egress Hardware Group, Inc. is prohibited. Patent pending and/or patent [www.assaabloydss.com/patents](http://www.assaabloydss.com/patents).

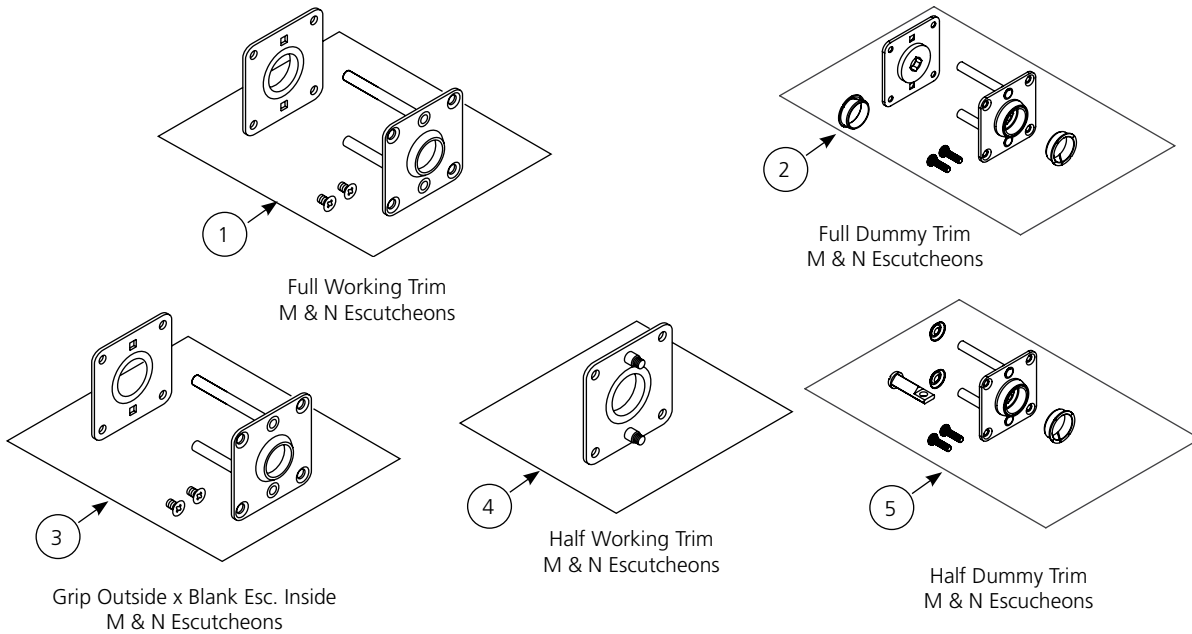


NOTE: Each adapter packet comes with appropriate size adapter plates & screws for door thickness as ordered.

| Item | Part No. | Description   | Item | Part No. | Description   |                 |
|------|----------|---|------|----------|---|-----------------|
| 1    | 466F40   | Adapter Packet - Full Working Trim, containing:<br>1 - Inside Adapter Plate<br>1 - Outside Adapter Plate<br>2 - #8-32 Phillips Flat Hd Undercut Machine Screws<br>for 1-3/8" Door | 3    | 437F40   | Adapter Packet - Half Working Sectional Trim, containing:<br>1 - Adapter Plate<br>2 - #8-32 Phillips Flat Hd Undercut Machine Screws<br>for 1-3/8" Door                                       |                 |
|      | 466F41   |   |      | 437F41   |   | for 1-3/4" Door |
|      | 466F42   |   |      | 437F42   |   | for 2-1/4" Door |
| 2    | 854F10   | Adapter Plate Packet - Full Dummy Trim, containing:<br>1 - Inside Adapter Plate<br>1 - Outside Adapter Plate<br>2 - Bushings<br>2 - #8-32 Phillips Head Screws<br>for 1-3/8" Door | 4    | 854F22   | Adapter Plate Packet - Half Dummy Trim, containing:<br>1 - Adapter Plate<br>1 - Bushings<br>2 - #8-32 Phillips Head Screws<br>2 - Finish Washers<br>1 - Half Dummy Spindle<br>for 1-3/8" Door |                 |
|      | 854F11   |   |      | 854F23   |   | for 1-3/4" Door |
|      | 854F13   |   |      | 854F25   |   | for 2-1/4" Door |
|      |          |   | 5    | 853F95   | Adapter Plate Packet - 1/2 Trim Multi-Function Kit (1-3/4" Doors Only), containing:<br>1 - Adapter Plate<br>2 - Retainer Rings<br>2 - Spacers<br>2 - #8-32 x 7/8" Phillips Flat Hd Screws     |                 |
|      |          | 488F27  |      |          |   |                 |
|      |          | 427F07  |      |          |   |                 |
|      |          | 426F91  |      |          |   |                 |
|      |          |   |      | 814F80   |   |                 |

The warranty on Corbin Russwin products becomes void if the product is modified in any way, regardless of whether the modifications causes or contributes to any alleged defect. If a Corbin Russwin product is modified it may no longer meet industry certification and quality control standards applicable to the original product and is no longer a genuine Corbin Russwin product.

Copyright © 2000-2023, 2025, ASSA ABLOY Access and Egress Hardware Group, Inc. All rights reserved. Reproduction in whole or in part without the express written permission of ASSA ABLOY Access and Egress Hardware Group, Inc. is prohibited. Patent pending and/or patent [www.assaabloydss.com/patents](http://www.assaabloydss.com/patents).



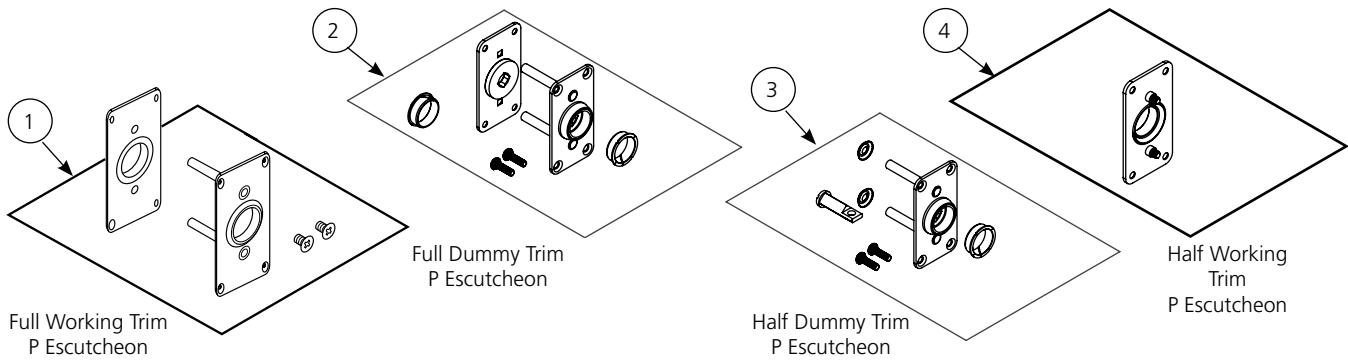
NOTE: Each adapter packet comes with appropriate size adapter plates & screws for door thickness as ordered.

| Item | Part No.                   | Description  |
|------|----------------------------|--|
| 1    | 466F50<br>466F51<br>466F52 | Adapter Packet - Full Working Trim, containing:<br>1 - Inside Adapter Plate<br>1 - Outside Adapter Plate<br>2 - #8-32 Phillips Flat Hd Screw<br>for 1-3/8" Door<br>for 1-3/4" Door<br>for 2-1/4" Door  |
| 2    | 854F14<br>854F15<br>854F16 | Adapter Plate Packet - Full Dummy Trim, containing:<br>1 - Inside Adapter Plate<br>1 - Outside Adapter plate<br>2 - Dummy Adapter Sleeves<br>2 - Bushings<br>2 - #8-32 Phillips Head Screws<br>for 1-3/8" Door<br>for 1-3/4" Door<br>for 2-1/4" Door |
| 3    | 466F45<br>466F46<br>466F47 | Adapter Packet - Grip Outside x Blank Escutcheon Inside, containing:<br>1 - Inside Adapter Plate<br>1 - Outside Adapter Plate<br>2 - #8-32 Phillips Flat Hd Undercut Machine Screws<br>for 1-3/8" Door<br>for 1-3/4" Door<br>for 2-1/4" Door         |

| Item | Part No.                   | Description  |
|------|----------------------------|--|
| 4    | 428F32<br>428F33<br>428F34 | Adapter Packet - Half Working Trim, containing:<br>1 - Adapter Plate<br>2 - #8-32 Phillips Flat Hd Machine Screws<br>for 1-3/8" Door<br>for 1-3/4" Door<br>for 2-1/4" Door   |
| 5    | 854F26<br>854F27<br>854F29 | Adapter Plate Packet - Half Dummy Trim, containing:<br>1 - Adapter Plate<br>1 - Dummy Adapter Sleeves<br>1 - Bushings<br>2 - #8-32 Phillips Head Screws<br>2 - Finish Washers<br>1 - Half Dummy Spindle<br>for 1-3/8" Door<br>for 1-3/4" Door<br>for 2-1/4" Door |

The warranty on Corbin Russwin products becomes void if the product is modified in any way, regardless of whether the modifications causes or contributes to any alleged defect. If a Corbin Russwin product is modified it may no longer meet industry certification and quality control standards applicable to the original product and is no longer a genuine Corbin Russwin product.

Copyright © 2000-2023, 2025, ASSA ABLOY Access and Egress Hardware Group, Inc. All rights reserved. Reproduction in whole or in part without the express written permission of ASSA ABLOY Access and Egress Hardware Group, Inc. is prohibited. Patent pending and/or patent [www.assaabloydss.com/patents](http://www.assaabloydss.com/patents).

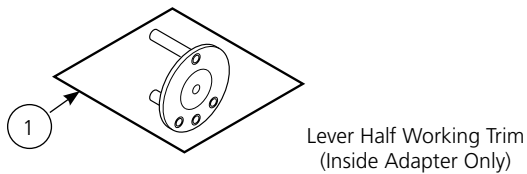


NOTE: Each adapter packet comes with appropriate size adapter plates & screws for door thickness as ordered.

| Item | Part No.                   | Description   |
|------|----------------------------|---|
| 1    | 466F73<br>466F74<br>466F75 | Adapter Packet - Full Working Trim, containing:<br>1 - Inside Adapter Plate<br>1 - Outside Adapter Plate<br>2 - #8-32 Phillips Flat Hd Undercut Machine Screws<br>for 1-3/8" Door<br>for 1-3/4" Door<br>for 2-1/4" Door |
| 2    | 854F18<br>854F19<br>854F21 | Adapter Plate Packet - Full Dummy Trim, containing:<br>1 - Inside Adapter Plate<br>1 - Outside Adapter plate<br>2 - Bushings<br>2 - #8-32 Phillips Head Screws<br>for 1-3/8" door<br>for 1-3/4" door<br>for 2-1/4" door |

| Item | Part No.                   | Description  |
|------|----------------------------|--|
| 3    | 854F30<br>854F31<br>854F33 | Adapter Plate Packet - Half Dummy Trim, containing:<br>1 - Adapter plates<br>1 - Bushings<br>2 - #8-32 Phillips Head Screws<br>2 - Finish Washers<br>1 - Half Dummy Spindle<br>for 1-3/8" door<br>for 1-3/4" door<br>for 2-1/4" door |
| 4    | 439F25<br>439F26<br>439F27 | Adapter Packet - Half Working Trim, containing:<br>1 - Adapter Plate<br>2 - #8-32 Phillips Flat Hd Undercut Machine Screws<br>for 1-3/8" Door<br>for 1-3/4" Door<br>for 2-1/4" Door  |

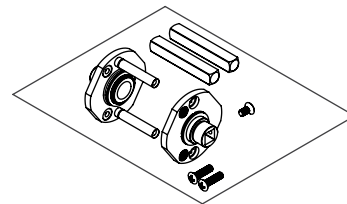
Adapter Packets - All Escutcheons - Half Working Trim



| Item | Part No. | Description   |
|------|----------|---|
| 1    | 488F27   | Adapter Packet - Lever Half Working Trim, containing:<br>1 - Inside Adapter Plate |

NOTE: Retainer 427F07-8 required for installation.

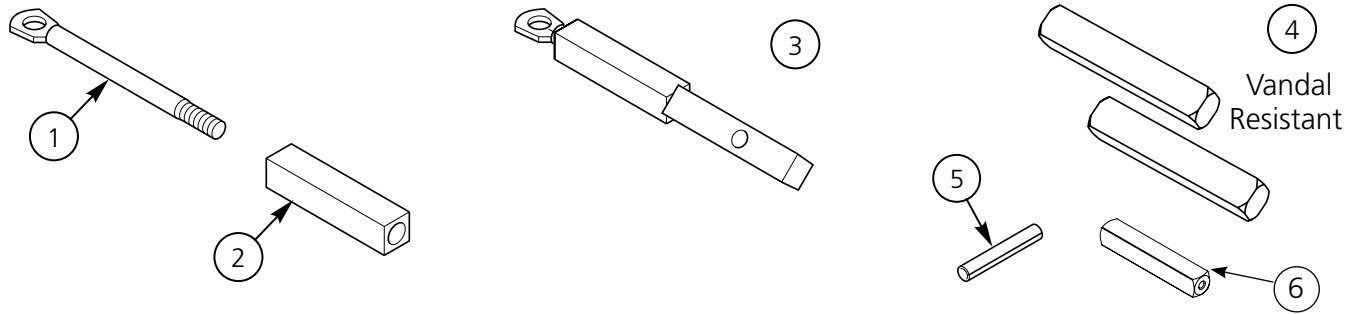
Muséo adapter plates



| Item | Part No.                             | Description  |
|------|--------------------------------------|--|
| 1    | 853F46<br>853F47<br>880F45<br>880F46 | Muséo Adapter Plate Packet, containing<br>1 - Inside Adapter Plate<br>1 - Outside Adapter Plate<br>1 - Set Screw<br>2 - #8-32 Phillips Head Screws<br>2 - Spindles<br>for 1-3/8" Doors<br>for 1-3/4" Doors<br>for 2" Doors<br>for 2-1/4" Doors |

The warranty on Corbin Russwin products becomes void if the product is modified in any way, regardless of whether the modifications causes or contributes to any alleged defect. If a Corbin Russwin product is modified it may no longer meet industry certification and quality control standards applicable to the original product and is no longer a genuine Corbin Russwin product.

Copyright © 2000-2023, 2025, ASSA ABLOY Access and Egress Hardware Group, Inc. All rights reserved. Reproduction in whole or in part without the express written permission of ASSA ABLOY Access and Egress Hardware Group, Inc. is prohibited. Patent pending and/or patent www.assaabloydss.com/patents.

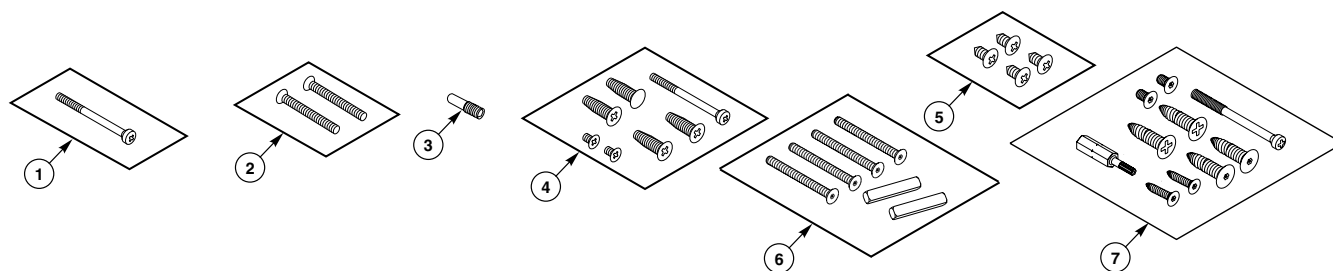


| Item | Part No. | Description   |
|------|----------|---|
| 1    | 483F34-8 | Adjusting Bolt for I/S Lever Trim for:<br>1-3/8" Door |
|      | 483F35-8 | 1-3/4" Door   |
|      | 483F36-8 | 2-1/4" Door   |
| 2    | 483F31-8 | Inside Spindle for I/S Lever Trim for:<br>1-3/8" Door |
|      | 680F35-8 | 1-3/4" Door   |
|      | 483F33-8 | 2-1/4" Door   |

| Item | Part No. | Description                          |
|------|----------|--------------------------------------|
| 3    | 499F82-8 | Spindle Assembly for:<br>1-3/8" Door |
|      | 499F83-8 | 1-3/4" Door                          |
|      | 499F84-8 | 2-1/4" Door                          |
|      | 807F23-8 | 1-3/8" (M30)                         |
|      | 808F84-8 | 1-3/4" (M30)                         |
|      | 808F87-8 | 2-1/4" (M30)                         |
| 4    | 700F38-8 | Vandal Resistant Spindles            |
| 5    | 228F54-8 | Roll Pin for Knob or Lever Spindle   |
| 6    | 807F23-8 | Muséo Spindles:<br>1-3/8" Door       |
|      | 808F84-8 | 1-3/4" - 2" Door                     |
|      | 807F87-8 | 2-1/4" Door                          |

The warranty on Corbin Russwin products becomes void if the product is modified in any way, regardless of whether the modifications causes or contributes to any alleged defect. If a Corbin Russwin product is modified it may no longer meet industry certification and quality control standards applicable to the original product and is no longer a genuine Corbin Russwin product.

Copyright © 2000-2023, 2025, ASSA ABLOY Access and Egress Hardware Group, Inc. All rights reserved. Reproduction in whole or in part without the express written permission of ASSA ABLOY Access and Egress Hardware Group, Inc. is prohibited. Patent pending and/or patent [www.assaabloydss.com/patents](http://www.assaabloydss.com/patents).



**(Specify Finish)**

| Item      | Part No.  | Description  |
|-----------|---|--|
| 1         | 488F08<br>488F10                                    | Cylinder Set Screw Packet for Standard<br>MR Option  |
| 2         | 433F76<br>433F77<br>433F78                          | Throughbolt Packet for M & P Escutcheons, containing:<br>2 - #8-32 Phillips Oval Hd Machine Screws<br>for 1-3/8" Door<br>for 1-3/4" Door<br>for 2-1/4" Door  |
|           | 439F33<br>439F34<br>439F35                          | Throughbolt Packet for R & L Escutcheons, containing:<br>2 - #10-24 Phillips Oval Hd Machine Screws<br>for 1-3/8" Door<br>for 1-3/4" Door<br>for 2-1/4" Door   |
| 3         | 483F30  | Dowel Screw for Inside Lever   |
| 4         | 429F41  | Mortise Lock Mounting Packet, (Std.) containing:<br>1 - Cylinder Set Screw<br>4 - #12 Phillips Flat Head Undercut Combination Screws<br>2 - #8 x 1/4" Phillips Flat Head Undercut Machine Screws   |
| 5         | 429F31  | Screw Packet for N Surface Mounted Escutcheons, containing:<br>4 - #6 x 1/2" Phillips Oval Head Type A Tapping Screws  |
| Not Shown | 858F50M<br>858F517<br>858F52M<br>858F53M<br>858F55M | Screw Pack for VN Escutcheon used with V Series Indicators containing:<br>2 - #8-32 Phillips Oval Head Machine Screws<br>for 1-3/8" Door<br>for 1-3/4" Door<br>for 2" Door<br>for 2-1/4" Door<br>over 2-1/4" Door  |
| Not Shown | 858F497   | Screw Pack for V Series Indicators for Sectional Trim containing:<br>1 - #8-32 x 5/8" Phillips Oval Head Machine Screw<br>1 - #8-32 x 3/8" Phillips Oval Head Machine Screw<br>1 - #8-32 x 5/8" Torx® Pin Oval Head Machine Screw<br>1 - #8-32 x 3/8" Torx® Pin Oval Head Machine Screw<br>4 - #6 x 3/8" Phillips Pan Head Sheet Metal Screws<br>for all doors |

**(Specify Finish)**

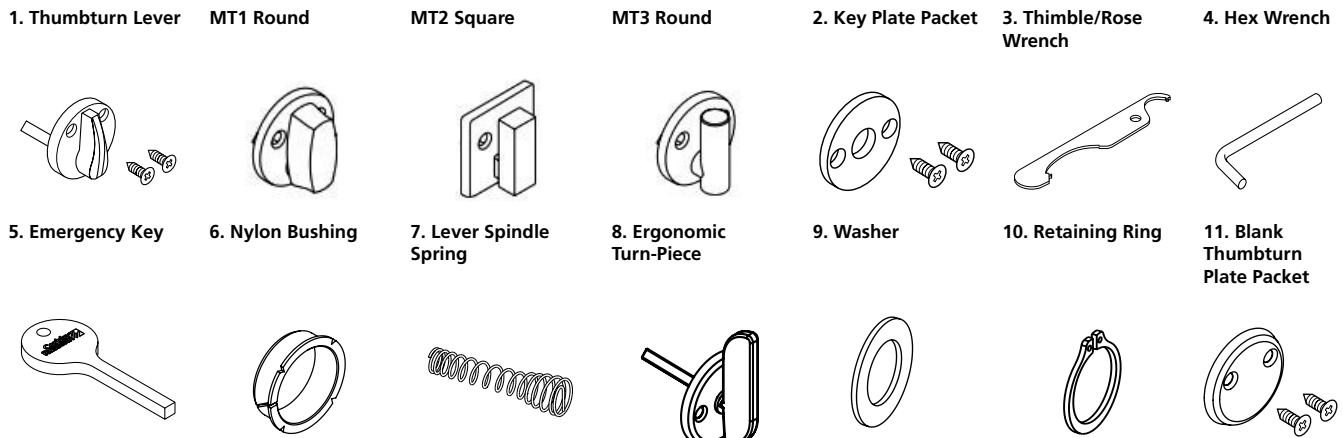
| Item      | Part No.   | Description  |
|-----------|--|--|
| 6         | 700F65<br>700F66<br>700F67   | Screw & Spindle Packet for VR Trim<br>Containing:<br>4 - #10 - 24 x 2" FHUM Torx® Pin Screws<br>2 - Spindles<br>for 1-3/4" Door<br>for 2" Door<br>for 2-1/4" Door  |
| 7         | 616F12<br>402F91<br>383F34<br>614F90<br>614F95<br>688F07<br>616F07<br>465F57<br>402F91<br>383F34<br>614F90<br>614F95<br>688F07<br>616F07<br>488F09<br>488F10<br>383F34<br>221F51 | Mortise Lock Mounting Packet, Torx® (M04) containing:<br>1 - Cylinder Set Screw<br>2 - #12 Phillips FHU Combination Screws<br>2 - #12 x 1" FHU Torx® Pin Combination Screw<br>2 - #8-32 x 1/4" Torxw Pin FHMU Screw<br>2 - #6 x Torx® Pin Flat Head Screw<br>1 - Torx® Pin Driver Bit<br><br>Mortise Lock Mounting Packet, HS & VR, containing:<br>1 - Cylinder Set Screw<br>2 - #12 Phillips FHU Combination Screws<br>2 - #12 x 1" FHU Torx® Pin Combination Screw<br>2 - #8-32 x 1/4" Torx® Pin FHMU Screw<br>2 - #6 x Torx® Pin Flat Head Screw<br>1 - Torx® Pin Driver Bit<br><br>Mortise Lock Mounting Packet, MR, containing:<br>1 - Cylinder Set Screw<br>2 - #12 Phillips FHU Combination Screws<br>2 - #8-32 x 1/4" Phillips Flat Head Undercut Machine Screws |
| Not Shown | 809F087  | Set Screw for Muséo Levers   |

The warranty on Corbin Russwin products becomes void if the product is modified in any way, regardless of whether the modifications causes or contributes to any alleged defect. If a Corbin Russwin product is modified it may no longer meet industry certification and quality control standards applicable to the original product and is no longer a genuine Corbin Russwin product.

Copyright © 2000-2023, 2025, ASSA ABLOY Access and Egress Hardware Group, Inc. All rights reserved. Reproduction in whole or in part without the express written permission of ASSA ABLOY Access and Egress Hardware Group, Inc. is prohibited. Patent pending and/or patent www.assaabloydss.com/patents.

| Item | Part No.              | Description   |
|------|-----------------------|---|
| 1    | <i>Specify Finish</i> | Thumbturn Lever Packet, containing:<br>1 - Thumbturn Lever<br>2 - #6 x 1/2" Phillips Oval Head, Type A Screws |
|      | 519F09                | for 1-3/8" Door   |
|      | 519F10                | for 1-3/4" Door   |
|      | 519F11                | for 2-1/4" Door   |
|      | 519F12                | for up to 3" Door   |
|      | 581F96                | for up to 4" Door   |
|      |                       | Thumbturn Lever MT1: (round plate)  |
|      | 723F70                | for 1-3/8" Door   |
|      | 723F76                | for 1-3/4" Door   |
|      | 723F88                | for 2-1/4" Door   |
|      | 723F82                | for up to 4" Door   |
|      |                       | Thumbturn Lever MT1: (square plate)   |
|      | 723F71                | for 1-3/8" Door   |
|      | 723F77                | for 1-3/4" Door   |
|      | 723F89                | for 2-1/4" Door   |
|      | 723F83                | for up to 4" Door   |
|      |                       | Thumbturn Lever MT2: (round plate)  |
|      | 723F72                | for 1-3/8" Door   |
|      | 723F78                | for 1-3/4" Door   |
|      | 723F90                | for 2-1/4" Door   |
|      | 723F84                | for up to 4" Door   |
|      |                       | Thumbturn Lever MT2: (square plate)   |
|      | 723F73                | for 1-3/8" Door   |
|      | 723F79                | for 1-3/4" Door   |
|      | 723F91                | for 2-1/4" Door   |
|      | 723F85                | for up to 4" Door   |
|      |                       | Thumbturn Lever MT3: (round plate)  |
|      | 723F74                | for 1-3/8" Door   |
|      | 723F80                | for 1-3/4" Door   |
|      | 723F92                | for 2-1/4" Door   |
|      | 723F86                | for up to 4" Door   |
|      |                       | Thumbturn Lever MT3: (square plate)   |
|      | 723F75                | for 1-3/8" Door   |
|      | 723F81                | for 1-3/4" Door   |
|      | 723F93                | for 2-1/4" Door   |
|      | 723F87                | for up to 4" Door   |

| Item | Part No.              | Description   |
|------|-----------------------|---|
| 2    | <i>Specify Finish</i> | Key Plate Packet, containing:<br>1 - Key Plate<br>2 - #6 x 1/2" Oval Truss Hd. Screws |
|      | 438F90                |   |
| 3    | 300F68-8              | Thimble/Rose Wrench   |
| 4    | 264F69-8              | Hex Wrench  |
|      | 264F29-8              | 5/64" Hex Wrench  |
|      | 264F69-8              | 1/8" Hex Wrench   |
|      | 288F71-8              | 1/16" Hex Wrench  |
|      | 288F72-8              | 3/16" Hex Wrench  |
|      | 309F81-8              | 7/64" Hex Wrench  |
|      | 330F10-8              | 3/32" Hex Wrench  |
|      | 385F33-8              | 5/32" Hex Wrench  |
| 5    | 605F42-8              | Emergency Key for Privacy Function  |
| 6    | 698F229               | Nylon Bushing for all Adapters & Cast Escutcheons                                     |
| 7    | 700F36-7              | Lever Spindle Spring for VR Trim  |
|      | 805F01-7              | Lever Spindle Spring for Muséo  |
| 8    |                       | Ergonomic Turn-piece:   |
|      | 707F57                | 1-3/8" Door   |
|      | 707F58                | 1-3/4" - 2" Door  |
|      | 707F59                | 2-1/4" Door   |
|      | 707F60                | 3" Door   |
|      | 707F70                | 4" Door   |
| 9    | 700F37-8              | Washer for VR Trim  |
| 10   | 700F16-8              | Retaining Ring for VR Trim  |
| 11   | <i>Specify Finish</i> |   |
|      | 696F39                | Blank Thumbturn Plate Packet  |



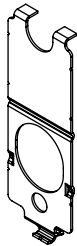
The warranty on Corbin Russwin products becomes void if the product is modified in any way, regardless of whether the modifications causes or contributes to any alleged defect. If a Corbin Russwin product is modified it may no longer meet industry certification and quality control standards applicable to the original product and is no longer a genuine Corbin Russwin product.

Copyright © 2000-2023, 2025, ASSA ABLOY Access and Egress Hardware Group, Inc. All rights reserved. Reproduction in whole or in part without the express written permission of ASSA ABLOY Access and Egress Hardware Group, Inc. is prohibited. Patent pending and/or patent [www.assaabloydss.com/patents](http://www.assaabloydss.com/patents).

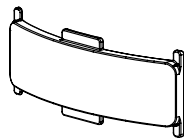
| Item | Part No. | Description   |
|------|----------|---|
| 1    | 855F638  | Indicator Escutcheon Backing Plate (used with VN Escutcheon only)       |
| 2    | 856F049  | Indicator Window  |
| 3    | 858F241  | Indicator Display Assembly - Green Unlocked / Red Locked                |
|      | 858F251  | Indicator Display Assembly - Green Vacant / Red Occupied                |
|      | 858F261  | Indicator Display Assembly - Green Unlocked Icon / Red Locked Icon      |
|      | 858F271  | Indicator Display Assembly - White Unlocked / Red Locked                |
|      | 858F281  | Indicator Display Assembly - White Vacant / Red Occupied                |
|      | 858F291  | Indicator Display Assembly - White Unlocked Icon / Red Locked Icon      |
|      | 865F241  | Indicator Display Assembly, French - Green Ouvert / Red Fermé           |
|      | 865F251  | Indicator Display Assembly, French - Green Libre / Red Occupée          |
| 4    | 855F619  | Indicator Spindle Cam - Thumb Turn                                      |
| 5    | 855F707* | Indicator Spindle Cam - Cylinder / No Input / Blank                     |
| 6    | 855F747* | Indicator Spindle Cam - Coin Turn                                       |
| 7    | 855F649  | Indicator Retaining Pad (used with Sectional Indicator Only)            |
| 8    | 855F658  | Sectional Indicator Mounting Plate (used with Sectional Indicator Only) |

\* These parts are for 1-3/4" standard thickness doors. For other thicknesses, please contact factory.

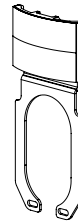
**1. Indicator Escutcheon Backing Plate**



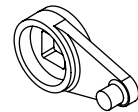
**2. Indicator Window**



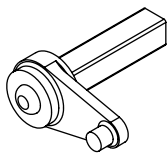
**3. Indicator Display Assembly**



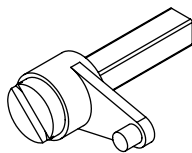
**4. Indicator Spindle Cam - Thumb Turn**



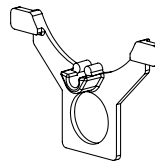
**5. Indicator Spindle Cam - Cylinder / No Input / Blank**



**6. Indicator Spindle Cam - Coin Turn**



**7. Indicator Retaining Pad**



**8. Sectional Indicator Mounting Plate**



The warranty on Corbin Russwin products becomes void if the product is modified in any way, regardless of whether the modifications causes or contributes to any alleged defect. If a Corbin Russwin product is modified it may no longer meet industry certification and quality control standards applicable to the original product and is no longer a genuine Corbin Russwin product.

Copyright © 2000-2023, 2025, ASSA ABLOY Access and Egress Hardware Group, Inc. All rights reserved. Reproduction in whole or in part without the express written permission of ASSA ABLOY Access and Egress Hardware Group, Inc. is prohibited. Patent pending and/or patent [www.assaabloydss.com/patents](http://www.assaabloydss.com/patents).

Conventional (standard for ML2000)  
 Security (optional)  
 Pyramid (optional)  
 IC  
 2 nickel silver keys  
 Finishes: See Key Systems catalogs.



| Mortise Cylinder Type                     | Hotel Function | 55, 69* & (Inside) Function | All Other Keyed Functions |
|---|----------------|-----------------------------|---------------------------|
| Access 3® Patented                        | CR1501-114-A01 | CR1500-114-A02              | CR1500-114-A01            |
| Access 3® Security                        | CR1601-114-A01 | CR1600-114-A02              | CR1600-114-A01            |
| Access 3® High Security                   | CR1701-114-A01 | CR1700-114-A02              | CR1700-114-A01            |
| Access 3® Patented IC                     | N/A            | CR1580-114-A02              | CR1580-114-A01            |
| Access 3® Security IC                     | N/A            | CR1680-114-A02              | CR1680-114-A01            |
| Access 3® High Security IC                | N/A            | CR1788-114-A02              | CR1788-114-A01            |
| Pyramid HS                                | N/A            | CR1020-114-A02              | CR1020-114-A01            |
| Pyramid HS IC                             | N/A            | CR1030-114-A02              | CR1030-114-A01            |
| Pyramid Security                          | N/A            | CR1027-114-A02              | CR1027-114-A01            |
| Pyramid Security IC                       | N/A            | CR1037-114-A02              | CR1037-114-A01            |
| Conventional 6-pin                        | CR1001-114-A01 | CR1000-118-A02              | CR1000-118-A01            |
| Conventional 7-pin                        | N/A            | CR1000-114-A02-7            | CR1000-114-A01-7          |
| 6-pin IC                                  | CR1081-138-A01 | CR1080-114-A02              | CR1080-114-A01            |
| 7-pin IC                                  | N/A            | CR1080-112-A02-7            | CR1080-112-A01-7          |
| Security IC                               | CR1091-138-A01 | CR1090-114-A02              | CR1090-114-A01            |
| Security                                  | CR1011-114-A01 | CR1010-118-A02              | CR1010-118-A01            |
| Flex Head 6-pin                           | CR1101-118-A01 | CR1100-100-A02              | CR1100-100-A01            |
| Flex head 7-pin                           | N/A            | CR1100-118-A02-7            | CR1100-118-A01-7          |
| Master ring                               | N/A            | CR1060-118-A02-7            | CR1060-118-A65**          |
| Master ring flex head                     | N/A            | CR1160-100-A62              | CR1060-100-A65**          |
| Plug only to show 6-pin (concealed shell) | CR1201-114-A01 | CR1200-118-A02              | CR1200-118-A01            |
| Plug only to show 7-pin (concealed shell) | N/A            | CR1200-114-A02-7            | CR1200-114-A01-7          |

To order cylinder separately, specify Part No. x Keyway x Finish (e.g. CR1000-118-A01 x L4 x 626).

\*69 function is not offered with ML2000VR.

\*\*Deadbolt function require A61 cam.

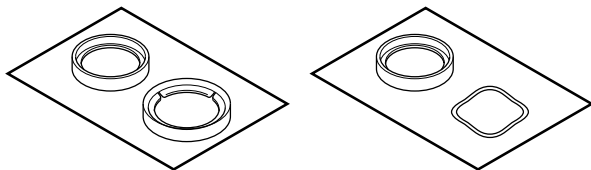
The warranty on Corbin Russwin products becomes void if the product is modified in any way, regardless of whether the modifications causes or contributes to any alleged defect. If a Corbin Russwin product is modified it may no longer meet industry certification and quality control standards applicable to the original product and is no longer a genuine Corbin Russwin product.

Copyright © 2000-2023, 2025, ASSA ABLOY Access and Egress Hardware Group, Inc. All rights reserved. Reproduction in whole or in part without the express written permission of ASSA ABLOY Access and Egress Hardware Group, Inc. is prohibited. Patent pending and/or patent [www.assaabloydss.com/patents](http://www.assaabloydss.com/patents).

## For Standard Cylinder in ML2000 Series Locksets and Mortise Exit Devices with Sectional Trim

**NOTES**

1. There is no Corbin Russwin configuration which requires 1-3/8" cylinders in a double cylinder function. Collars for this combination are shaded and are referenced only for other manufacturer's cylinders.
2. The V-escutcheon is not available for 1-3/8" doors, so that configuration is not in this table.
3. Double cylinder functions use the same collar on both sides, unless otherwise specified.



| Application |                 |                          | Cylinder      |                       |                               |                 |                 |
|-------------|-----------------|--------------------------|---------------|-----------------------|-------------------------------|-----------------|-----------------|
| Door        | Function        | Trim                     | 1" 5-Pin      | 1-1/8" 6-Pin Standard | 1-1/4" 6-Pin IC, 7-Pin, Hotel | 1-3/8" Hotel IC | 1-1/2" 7-Pin IC |
| 1-3/8" Door | Single Cylinder | Sectional                | 253F97        | 605F43                | 447F43                        | 609F36          | 609F37          |
|             |                 | N escutcheon             | 253F97        | 253F97                | 605F43                        | 605F43          | 609F37          |
|             |                 | P escutcheon             | 253F97        | 610F01                | 447F43                        | 609F36          | 609F37          |
|             |                 | M escutcheon             | 253F97        | 253F97                | 605F43                        | 609F36          | 609F37          |
|             |                 | R escutcheon             | none          | 447F42                | 610F01                        | 447F43          | 609F36          |
|             |                 | L escutcheon             | none          | 447F42                | 610F01                        | 447F43          | 609F37          |
|             |                 | with V series indicator* | not available | none                  | 447F41                        | 447F41          | 447F42          |
|             | Double Cylinder | Sectional                | 605F43        | 609F36                | 609F37                        | 609F38          | 609F38          |
|             |                 | N escutcheon             | 605F43        | 447F43                | 609F36                        | 609F37          | 609F37          |
|             |                 | P escutcheon             | 610F01        | 447F43                | 609F36                        | 609F37          | 609F37          |
|             |                 | M escutcheon             | 610F01        | 447F43                | 609F36                        | 609F37          | 609F37          |
|             |                 | R escutcheon             | 610F01        | 447F43                | 609F36                        | 609F37          | 609F37          |
|             |                 | L escutcheon             | 610F01        | 447F43                | 609F36                        | 609F37          | 609F37          |
|             |                 | with V series indicator* | not available | 447F41                | 447F42                        | 610F01          | 447F43          |

\*Used with both sectional and escutcheon trim

The warranty on Corbin Russwin products becomes void if the product is modified in any way, regardless of whether the modifications causes or contributes to any alleged defect. If a Corbin Russwin product is modified it may no longer meet industry certification and quality control standards applicable to the original product and is no longer a genuine Corbin Russwin product.

Copyright © 2000-2023, 2025, ASSA ABLOY Access and Egress Hardware Group, Inc. All rights reserved. Reproduction in whole or in part without the express written permission of ASSA ABLOY Access and Egress Hardware Group, Inc. is prohibited. Patent pending and/or patent [www.assaabloydss.com/patents](http://www.assaabloydss.com/patents).

| Application              |                          |                     | Cylinder            |                       |                               |                 |                 |
|--------------------------|--------------------------|---------------------|---------------------|-----------------------|-------------------------------|-----------------|-----------------|
| Door                     | Function                 | Trim                | 1" 5-Pin            | 1-1/8" 6-Pin Standard | 1-1/4" 6-Pin IC, 7-Pin, Hotel | 1-3/8" Hotel IC | 1-1/2" 7-Pin IC |
| 1-3/4" Door              | Single Cylinder          | Sectional           | 253F97              | 253F97                | 605F43                        | 605F43          | 609F36          |
|                          |                          | N escutcheon        | 253F97              | 253F97                | 253F97                        | 605F43          | 605F43          |
|                          |                          | P escutcheon        | use longer cylinder | 253F97                | 253F98                        | 610F01          | 447F43          |
|                          |                          | M escutcheon        | use longer cylinder | 253F97                | 253F97                        | 605F43          | 447F43          |
|                          |                          | R escutcheon        | none                | none                  | 447F41                        | 447F42          | 610F02          |
|                          |                          | T escutcheon        | none                | none                  | none                          | 447F41          | 447F42          |
|                          |                          | L escutcheon        | none                | none                  | 447F41                        | 447F42          | 610F02          |
|                          |                          | V escutcheon        | none                | none                  | none                          | 700F53          | 700F53          |
|                          | with V series indicator* | not available       | none                | none                  | none                          | none            | 447F41          |
|                          | Double Cylinder          | Sectional           | 253F97              | 610F01                | 447F43                        | 609F37          | 609F37          |
|                          |                          | N escutcheon        | 253F97              | 253F97                | 605F43                        | 447F43          | 609F36          |
|                          |                          | P escutcheon        | 447F41 x none       | 447F42                | 610F02                        | 447F43          | 609F36          |
|                          |                          | M escutcheon        | 253F97 x none       | 253F97                | 605F43                        | 447F43          | 609F36          |
|                          |                          | R escutcheon        | 197F34 x none       | 447F41                | 447F42                        | 610F02          | 447F43          |
| T escutcheon             |                          | none                | 447F41              | 447F42                | 610F02                        | 609F36          |                 |
| 2" Door                  | Single Cylinder          | Sectional           | 253F97              | 253F97                | 253F97                        | 605F43          | 605F43          |
|                          |                          | N escutcheon        | use longer cylinder | 253F97                | 253F97                        | 253F97          | 605F43          |
|                          |                          | P escutcheon        | none                | use longer cyl.       | 253F97                        | 447F42          | 610F01          |
|                          |                          | M escutcheon        | none                | use longer cyl.       | 253F97                        | 253F97          | 605F43          |
|                          |                          | R escutcheon        | none                | none                  | none                          | 447F41          | 447F42          |
|                          |                          | T escutcheon        | use longer cylinder | use longer cyl.       | none                          | none            | 447F41          |
|                          |                          | L escutcheon        | none                | none                  | none                          | 447F41          | 447F42          |
|                          |                          | V escutcheon        | not available       | none                  | none                          | none            | 700F53          |
| with V series indicator* | not available            | use longer cyl.     | none                | none                  | 447F41                        |                 |                 |
| Double Cylinder          | Sectional                | 447F41              | 253F97              | 605F43                | 447F43                        | 609F36          |                 |
|                          | N escutcheon             | 447F41              | 253F97              | 253F97                | 605F43                        | 447F43          |                 |
|                          | P escutcheon             | 447F41 x none       | 447F41 x none       | 447F42                | 610F02                        | 447F43          |                 |
|                          | M escutcheon             | 253F97 x none       | 253F97 x none       | 253F97                | 605F43                        | 447F43          |                 |
|                          | R escutcheon             | none                | 197F34 x none       | 447F42                | 610F02                        | 447F43          |                 |
|                          | T escutcheon             | use longer cylinder | none                | 447F41                | 447F42                        | 610F02          |                 |
|                          | L escutcheon             | none                | 197F34 x none       | 447F42                | 610F02                        | 447F43          |                 |
|                          | V escutcheon             | not available       | not available       | none                  | not available                 | 700F53          |                 |
| with V series indicator* | not available            | use longer cyl.     | none                | 447F41                | 447F41                        |                 |                 |

\*Used with both sectional and escutcheon trim

The warranty on Corbin Russwin products becomes void if the product is modified in any way, regardless of whether the modifications causes or contributes to any alleged defect. If a Corbin Russwin product is modified it may no longer meet industry certification and quality control standards applicable to the original product and is no longer a genuine Corbin Russwin product.

Copyright © 2000-2023, 2025, ASSA ABLOY Access and Egress Hardware Group, Inc. All rights reserved. Reproduction in whole or in part without the express written permission of ASSA ABLOY Access and Egress Hardware Group, Inc. is prohibited. Patent pending and/or patent [www.assaabloydss.com/patents](http://www.assaabloydss.com/patents).

| Application              |                          |                     | Cylinder            |                       |                               |                 |                 |
|--------------------------|--------------------------|---------------------|---------------------|-----------------------|-------------------------------|-----------------|-----------------|
| Door                     | Function                 | Trim                | 1" 5-Pin            | 1-1/8" 6-Pin Standard | 1-1/4" 6-Pin IC, 7-Pin, Hotel | 1-3/8" Hotel IC | 1-1/2" 7-Pin IC |
| 2-1/4" Door              | Single Cylinder          | Sectional           | use longer cylinder | 253F97                | 253F97                        | 253F97          | 605F43          |
|                          |                          | N escutcheon        | use longer cylinder | 253F97                | 253F97                        | 253F97          | 253F97          |
|                          |                          | P escutcheon        | use longer cylinder | use longer cyl.       | use longer cyl.               | 253F97          | 253F98          |
|                          |                          | M escutcheon        | use longer cylinder | use longer cyl.       | use longer cyl.               | 253F97          | 253F97          |
|                          |                          | R escutcheon        | use longer cylinder | use longer cyl.       | none                          | none            | 447F41          |
|                          |                          | T escutcheon        | use longer cylinder | use longer cyl.       | use longer cyl.               | none            | none            |
|                          |                          | L escutcheon        | use longer cylinder | use longer cyl.       | none                          | none            | 447F41          |
|                          |                          | V escutcheon        | none                | none                  | none                          | none            | none            |
|                          | with V series indicator* | not available       | use longer cyl.     | use longer cyl.       | none                          | none            |                 |
|                          | Double Cylinder          | Sectional           | 447F41              | 447F41                | 253F97                        | 605F43          | 447F43          |
|                          |                          | N escutcheon        | use longer cylinder | 447F41                | 253F97                        | 253F97          | 605F43          |
|                          |                          | P escutcheon        | use longer cylinder | 447F41 x none         | 447F41 x none                 | 447F42          | 610F02          |
|                          |                          | M escutcheon        | use longer cylinder | 253F97 x none         | 253F97 x none                 | 253F97          | 605F43          |
|                          |                          | R escutcheon        | use longer cylinder | none                  | 197F34 x none                 | 447F42          | 610F02          |
| T escutcheon             |                          | use longer cylinder | none                | none                  | 447F41                        | 447F42          |                 |
| L escutcheon             |                          | use longer cylinder | none                | 197F34 x none         | 447F42                        | 610F02          |                 |
| V escutcheon             |                          | none                | none                | none                  | none                          | none            |                 |
| with V series indicator* | not available            | use longer cyl.     | use longer cyl.     | none                  | 447F41                        |                 |                 |

\*Used with both sectional and escutcheon trim

The warranty on Corbin Russwin products becomes void if the product is modified in any way, regardless of whether the modifications causes or contributes to any alleged defect. If a Corbin Russwin product is modified it may no longer meet industry certification and quality control standards applicable to the original product and is no longer a genuine Corbin Russwin product.

Copyright © 2000-2023, 2025, ASSA ABLOY Access and Egress Hardware Group, Inc. All rights reserved. Reproduction in whole or in part without the express written permission of ASSA ABLOY Access and Egress Hardware Group, Inc. is prohibited. Patent pending and/or patent [www.assaabloydss.com/patents](http://www.assaabloydss.com/patents).

## Collars for Master Ring Cylinders

| Application  |                 |              | Cylinder            |                      |              |
|--------------|-----------------|--------------|---------------------|----------------------|--------------|
| Door         | Function        | Trim         | 1-1/8" Standard     | 1-1/4"               | 1-3/8" 7-Pin |
| 1-3/8"       | Single Cylinder | Sectional    | 447F46              | 447F46               | not avail.   |
|              |                 | N escutcheon | 447F45*             | 447F46               | 447F46       |
| M escutcheon |                 | 447F45*      | 447F46              | not avail.           |              |
| 1-3/4"       | Double Cylinder | Sectional    | not avail.          |                      |              |
|              |                 | N escutcheon | 447F46              | use shorter cylinder | not avail.   |
|              | M escutcheon    | 447F46       |                     |                      |              |
| 1-3/4"       | Single Cylinder | Sectional    | 447F45*             | 447F45*              | 447F46       |
|              |                 | N escutcheon | 447F44*             | 447F44*              | 447F45*      |
|              |                 | M escutcheon | 447F44*             | 447F44*              | 447F45*      |
| 2"           | Double Cylinder | Sectional    | 447F46              | use shorter cylinder | not avail.   |
|              |                 | N escutcheon | 447F45*             | 447F46               | 447F46       |
|              |                 | M escutcheon | 447F45*             | 447F46               | not avail.   |
| 2"           | Single Cylinder | Sectional    | 447F44              | 447F45*              | 447F45*      |
|              |                 | N escutcheon | 447F44              | 447F44*              | 447F44*      |
|              |                 | M escutcheon | none                | 447F44*              | 447F44*      |
| 2-1/4"       | Double Cylinder | Sectional    | 447F45*             | 447F46               | not avail.   |
|              |                 | N escutcheon | 447F44              | 447F45*              | 447F46       |
|              |                 | M escutcheon | 447F44 x none       | 447F45*              | 447F46       |
| 2-1/4"       | Single Cylinder | Sectional    | 447F44              | 447F44               | 447F45*      |
|              |                 | N escutcheon | use longer cylinder | 447F44               | 447F44*      |
|              |                 | M escutcheon | use longer cylinder | none                 | 447F44*      |
| 2-1/4"       | Double Cylinder | Sectional    | 447F44              | 447F45*              | 447F46       |
|              |                 | N escutcheon | 447F44              | 447F44               | 447F45*      |
|              |                 | M escutcheon | 447F44 x none       | 447F44 x none        | 447F45*      |

\*ML2042 and ML2055 require 447F46

The warranty on Corbin Russwin products becomes void if the product is modified in any way, regardless of whether the modifications causes or contributes to any alleged defect. If a Corbin Russwin product is modified it may no longer meet industry certification and quality control standards applicable to the original product and is no longer a genuine Corbin Russwin product.

Copyright © 2000-2023, 2025, ASSA ABLOY Access and Egress Hardware Group, Inc. All rights reserved. Reproduction in whole or in part without the express written permission of ASSA ABLOY Access and Egress Hardware Group, Inc. is prohibited. Patent pending and/or patent [www.assaabloydss.com/patents](http://www.assaabloydss.com/patents).

## Conventional Cylinders

| Application |                 | Cylinder            |                   |                      |
|-------------|-----------------|---------------------|-------------------|----------------------|
| Door        | Function        | 1" 6-Pin std.       | 1-1/8" 7-Pin Std. | 1-1/4"               |
| 1-3/8"      | Single Cylinder | 370F29              | 252F82            | Use Shorter Cylinder |
| 1-3/4"      | Single Cylinder | none                | 370F29            | 370F31               |
|             | Double Cylinder | 370F31              | 252F82            | Use Shorter Cylinder |
| 2"          | Single Cylinder | none                | none              | 370F29               |
|             | Double Cylinder | none                | 370F31            | 252F82               |
| 2-1/4"      | Single Cylinder | Use Longer Cylinder | none              | none                 |
|             | Double Cylinder | none                | none              | 370F31               |

## Master Ring Cylinders

| Application |                 | Cylinder            |                   |                      |
|-------------|-----------------|---------------------|-------------------|----------------------|
| Door        | Function        | 1" 6-Pin std.       | 1-1/8" 7-Pin Std. | 1-1/4"               |
| 1-3/8"      | Single Cylinder | 370F35              | 370F35            | Use Shorter Cylinder |
| 1-3/4"      | Single Cylinder | none                | 370F33            | 370F35               |
|             | Double Cylinder | 370F35              | 370F35            | Use Shorter Cylinder |
| 2"          | Single Cylinder | none                | none              | 370F33               |
|             | Double Cylinder | 370F33              | 370F35            | 370F35               |
| 2-1/4"      | Single Cylinder | Use Longer Cylinder | none              | none                 |
|             | Double Cylinder | none                | 370F33            | 370F35               |

The warranty on Corbin Russwin products becomes void if the product is modified in any way, regardless of whether the modifications causes or contributes to any alleged defect. If a Corbin Russwin product is modified it may no longer meet industry certification and quality control standards applicable to the original product and is no longer a genuine Corbin Russwin product.

Copyright © 2000-2023, 2025, ASSA ABLOY Access and Egress Hardware Group, Inc. All rights reserved. Reproduction in whole or in part without the express written permission of ASSA ABLOY Access and Egress Hardware Group, Inc. is prohibited. Patent pending and/or patent [www.assaabloydss.com/patents](http://www.assaabloydss.com/patents).

For latchbolt assemblies that contain a Locking Pin as shown in Figure 4. Locksets with this assembly shipped from the factory since 2022.

1. Move the Red locking screw to side of lock-body being locked (Figure 1)
2. Push in latch partially then depress catch plate with screwdriver (Figure 1)

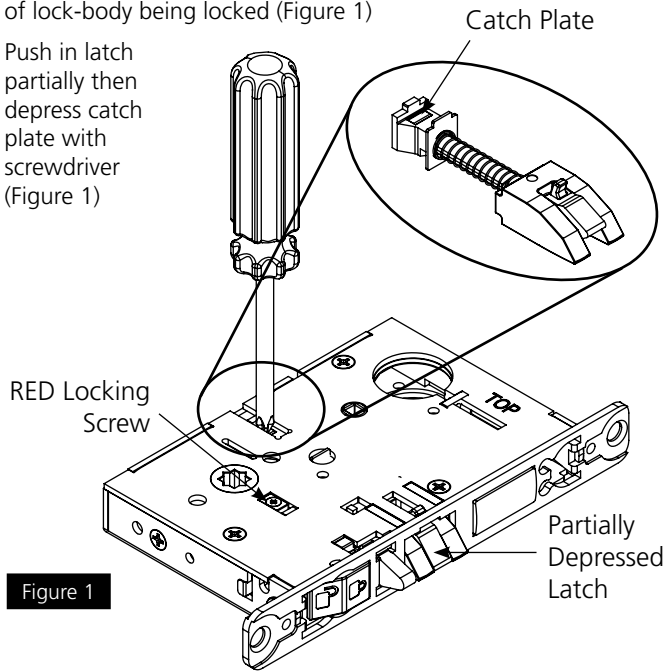


Figure 1

3. Pull latch out of lock-body and rotate 180 degrees (Figure 2)

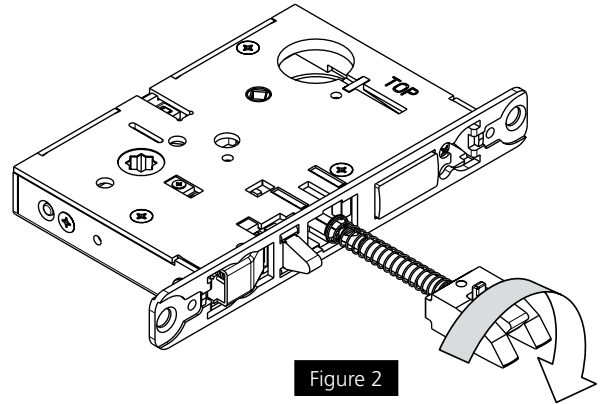


Figure 2

4. Push in latch until tail-piece hits back of case (Figure 3)

**Note: Make sure catch plate is even with top surface and locking pin is not projected (Figure 4). If not, depress catch plate with screwdriver and repeat step 4.**

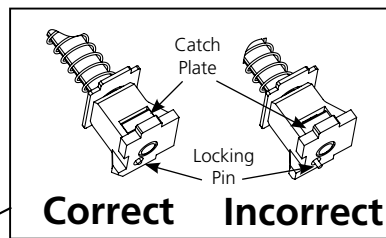


Figure 4

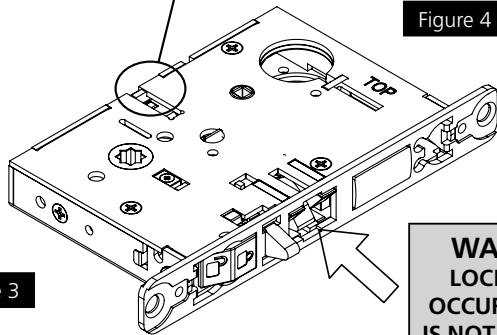


Figure 3

**WARNING: LOCK-IN CAN OCCUR IF LATCH IS NOT PROPERLY INSTALLED**

5. Rotate lock front to match level of door as shown (Figure 5)

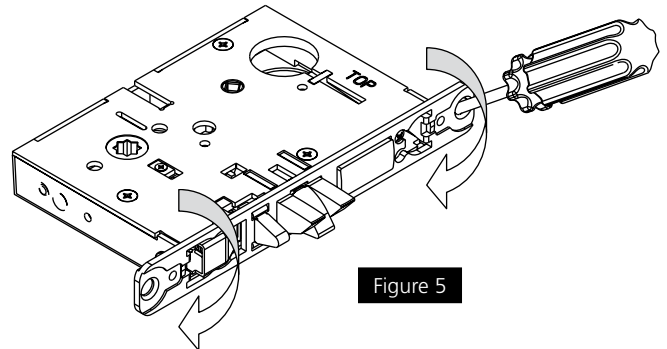


Figure 5

The warranty on Corbin Russwin products becomes void if the product is modified in any way, regardless of whether the modifications causes or contributes to any alleged defect. If a Corbin Russwin product is modified it may no longer meet industry certification and quality control standards applicable to the original product and is no longer a genuine Corbin Russwin product.

Copyright © 2000-2023, 2025, ASSA ABLOY Access and Egress Hardware Group, Inc. All rights reserved. Reproduction in whole or in part without the express written permission of ASSA ABLOY Access and Egress Hardware Group, Inc. is prohibited. Patent pending and/or patent [www.assaabloydss.com/patents](http://www.assaabloydss.com/patents).

For latchbolt assemblies that DO NOT contain a Locking Pin as shown on previous page. Locksets with this assembly shipped from the factory prior to, or in early 2022.

1. Move the Red locking screw to side of lock-body being locked (Figure 1)
2. Push in latch then depress catch plate with screw driver (Figure 1)

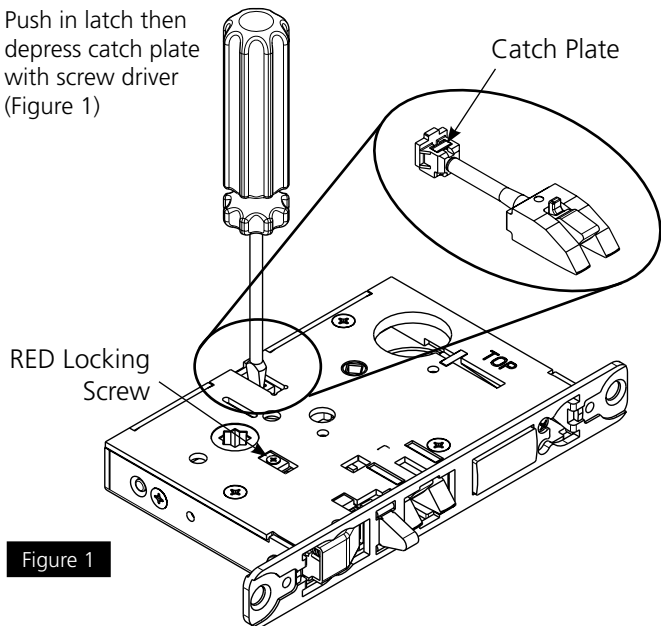


Figure 1

3. Pull latch out of lock-body and rotate 180 degrees (Figure 2)

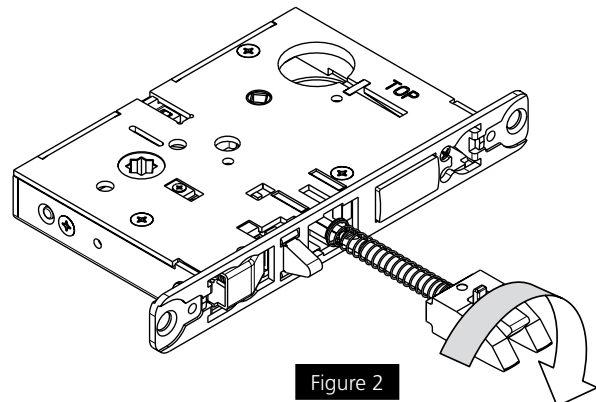


Figure 2

4. Push in latch while holding screw driver behind latch tail (Figure 3)

**Note: Push in latch until catch plate is no longer depressed, make sure catch plate is even with top surface (Figure 4)**

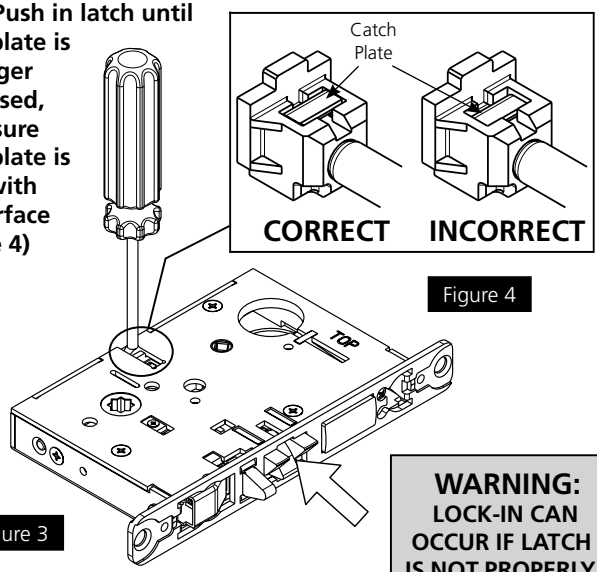


Figure 3

**WARNING: LOCK-IN CAN OCCUR IF LATCH IS NOT PROPERLY INSTALLED**

5. Rotate lock front to match level of door as shown (Figure 5)

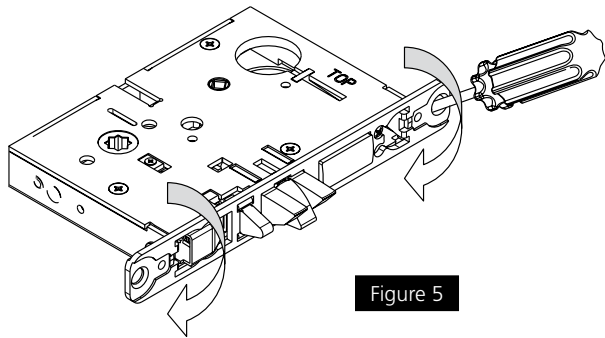


Figure 5

The warranty on Corbin Russwin products becomes void if the product is modified in any way, regardless of whether the modifications causes or contributes to any alleged defect. If a Corbin Russwin product is modified it may no longer meet industry certification and quality control standards applicable to the original product and is no longer a genuine Corbin Russwin product.

Copyright © 2000-2023, 2025, ASSA ABLOY Access and Egress Hardware Group, Inc. All rights reserved. Reproduction in whole or in part without the express written permission of ASSA ABLOY Access and Egress Hardware Group, Inc. is prohibited. Patent pending and/or patent [www.assaabloydss.com/patents](http://www.assaabloydss.com/patents).

The ASSA ABLOY Group is the global leader in access solutions. Every day, we help billions of people experience a more open world.

ASSA ABLOY Opening Solutions leads the development within door openings and products for access solutions in homes, businesses and institutions. Our offering includes doors, frames, door and window hardware, mechanical and smart locks, access control and service.



For additional information, contact your  
ASSA ABLOY Door Security Solutions  
sales consultant or visit [www.corbinruswin.com](http://www.corbinruswin.com).

**In U.S.**

Corbin Russwin  
Architectural Hardware  
225 Episcopal Road  
Berlin, CT 06037  
Phone: 800-543-3658  
Fax: 800-447-6714  
[www.corbinruswin.com](http://www.corbinruswin.com)

**In Canada**

ASSA ABLOY Door  
Security Solutions Canada  
160 Four Valley Drive  
Vaughan, Ontario  
Canada L4K 4T9  
Phone: 800-461-3007  
Fax: 800-461-8989  
[www.assaabloydss.ca](http://www.assaabloydss.ca)



ASSA ABLOY Group companies offer MicroShield®, an antimicrobial coating for door hardware. MicroShield uses proven silver ion-based technology from Agion®, a leading provider of antimicrobial solutions, to stem the spread of bacteria and other microbes.

MicroShield® is a trademark of ASSA ABLOY Access and Egress Hardware Group, Inc.



The Agion antimicrobial is not intended as a substitute for good hygiene. Coated products must still be cleaned to ensure the surfaces will be free of destructive microbes. ASSA ABLOY makes no representations or warranties, express or implied, as to the efficacy of the Agion antimicrobial. A copy of the Agion warranty is available upon request. Agion is a registered trademark of Agion Technologies, Inc., Wakefield, MA, USA.