

Architectural Door Accessories

ASSA ABLOY

Markar HG315 Installation Instructions

The global leader in
door opening solutions

PRODUCT MUST BE INSTALLED ACCORDING TO ALL APPLICABLE BUILDING AND LIFE SAFETY CODES

All holes in door and frame must be drilled correctly and fasteners properly installed. Failure to use fasteners supplied by Markar Architectural Products will void UL or WHI fire rated listing.

1. Frame Preparation

- A. Place hinge frame leaf on frame. Position top of hinge $\frac{1}{8}$ " maximum below header. Place hinge firmly against face of frame. Fig. 1 & 2.
- B. Mark and center punch each hole on frame with hinge held firmly in place. For ease of installation, center punch can help center hole so that fasteners will enter straight.
- C. Drill Holes:
Wood Frame: drill holes using a $\frac{5}{32}$ " drill bit.
Hollow Metal Frame: drill holes using a #16 drill bit.
If hollow metal frame is reinforced, thread all holes with 12-24 tap.

Do not install hinge to frame at this time.

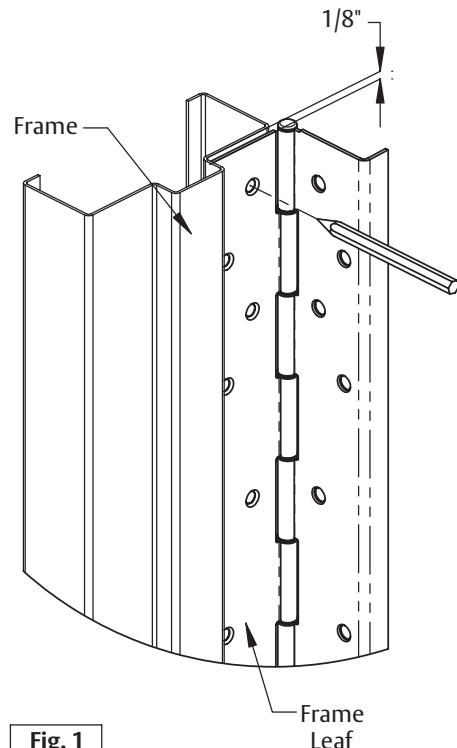


Fig. 1

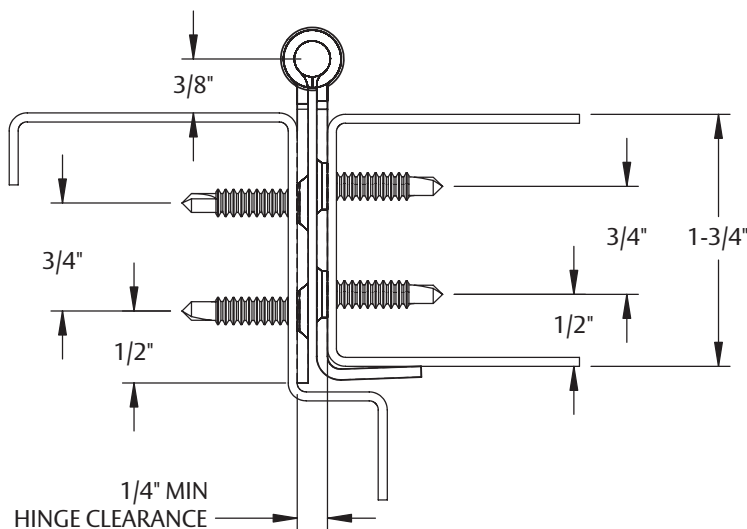
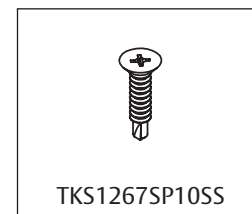


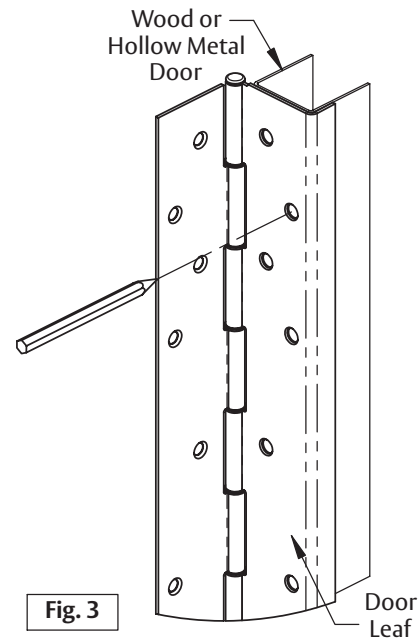
Fig. 2 HINGE PLACEMENT & CLEARANCE TEMPLATE



Standard Screw Pack
KMPSS
(2) Per Assembly for 10'
(1) Per Assembly All Others

2. Door Preparation

- A. Place hinge door leaf on edge of door. Position top of hinge flush with top of door. (Fig 3)
- B. Mark and center punch each hole on door with hinge held firmly in place. Remove hinge from door and prepare to drill door.
- C. Drilling Doors:
 - Wood Doors:** drill all holes using a $\frac{5}{32}$ " drill bit.
 - Hollow Metal Doors:** drill all holes using a #16 drill bit.
If hollow metal door is reinforced, thread all holes with 12-24 tap.



3. Hinge Installation

- A. Attaching hinge to door (Fig 4):
 - Wood:** Attach hinge using #12-8 x $1\frac{1}{2}$ " Flat Head Particle Board Screws (PBS12150SP10SS).
 - Hollow Metal:** Attach hinge using #12-24 x $\frac{11}{16}$ " Flat Head Undercut Self Drilling Machine Screws (TKS1267SP10SS).
- B. Attaching hinge to frame (Fig 5):
 - Wood:** Attach hinge using #12-8x $1\frac{1}{2}$ " Flat Head Undercut Particle Board Screws (PBS12150SP10SS).
 - Hollow Metal:** Attach hinge using #12-24 x $\frac{11}{16}$ " Flat Head Undercut Self Drilling Machine Screws (TKS1267SP10SS).

