

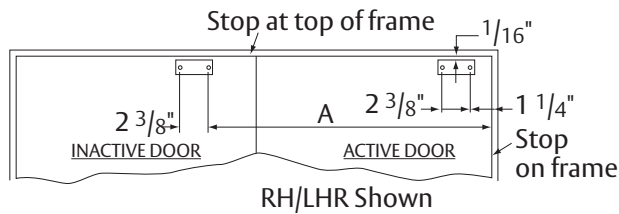
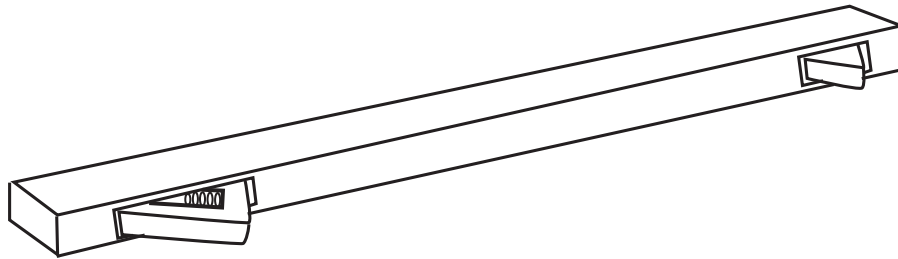
# 2600 Series Coordinator

**ASSA ABLOY**

**ROCKWOOD®**

The global leader in door opening solutions

NOT TO SCALE

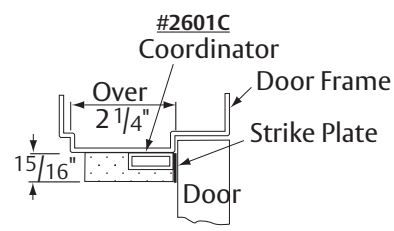
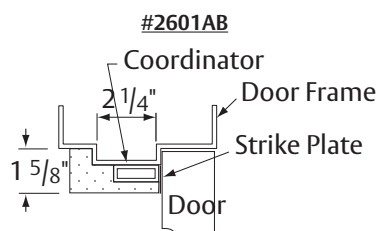
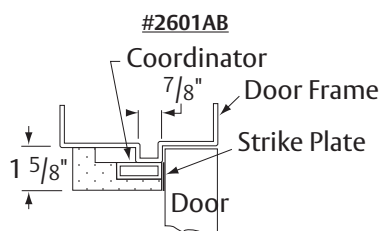
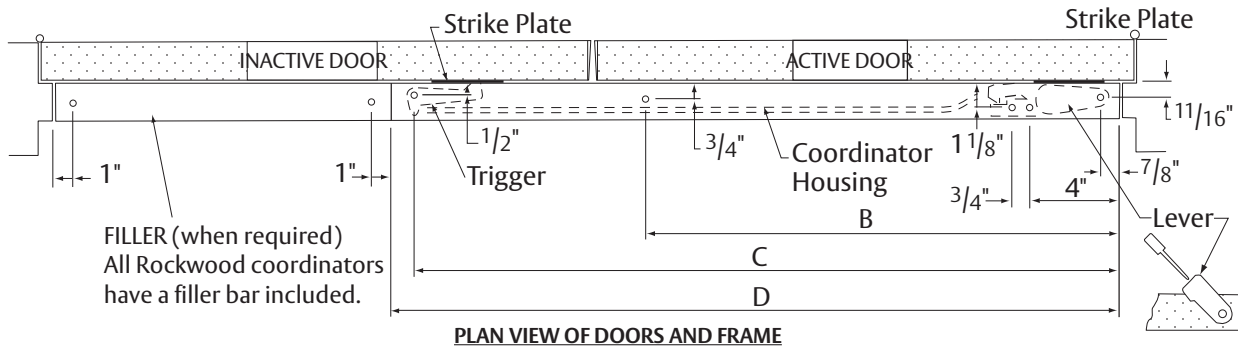


Housing Length	A	B	C	D
32" (N1648)	27 1/2"	OMIT	31"	32"
42" (NX1648)	37 1/2"	OMIT	41"	42"
52" (1654-1696)	47 1/2"	26"	51"	52"
60" (L16108)	55 1/2"	26"	59"	60"

## Template T-2600

**Effective date:** July 23, 2015  
**Supersedes:** All Previous

NOTE: Rockwood reserves the right to make product changes and is not responsible for obsolete template errors. To ensure your template is current, please visit our website at [www.rockwoodmfg.com](http://www.rockwoodmfg.com) or call us at 800-458-2424



NOTE: Field adjustment of door closers is required after installation of coordinator to insure against doors closing too fast and changing coordinator mechanism. Field adjustment of coordinator override could be needed.

NOTE: INSTALL COORDINATOR BEFORE ANY OTHER HARDWARE, EXCEPT HINGES.

Rockwood Manufacturing Company  
Rockwood, Pennsylvania 15557  
Phone: (800) 458-2424 • Fax: (800) 922-9212  
[www.rockwoodmfg.com](http://www.rockwoodmfg.com) • [rockwoodorders@assaabloy.com](mailto:rockwoodorders@assaabloy.com)

Copyright © 2015, Rockwood Manufacturing Company, an ASSA ABLOY Group company. All rights reserved. Reproduction in whole or in part without the express written permission of Rockwood Manufacturing Company is prohibited.