

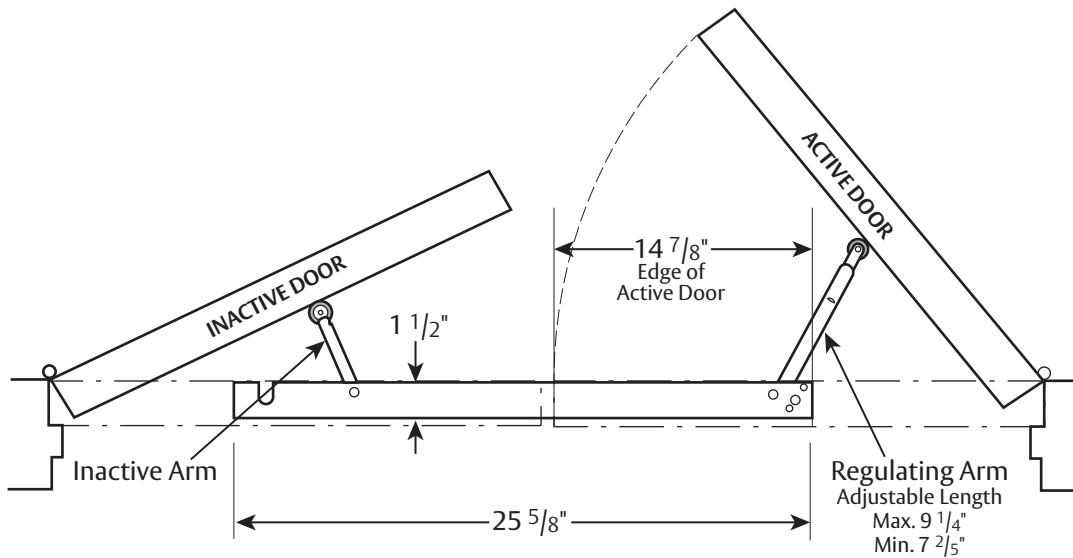
1700 Universal Coordinator

ASSA ABLOY

ROCKWOOD®

The global leader in door opening solutions

NOT TO SCALE

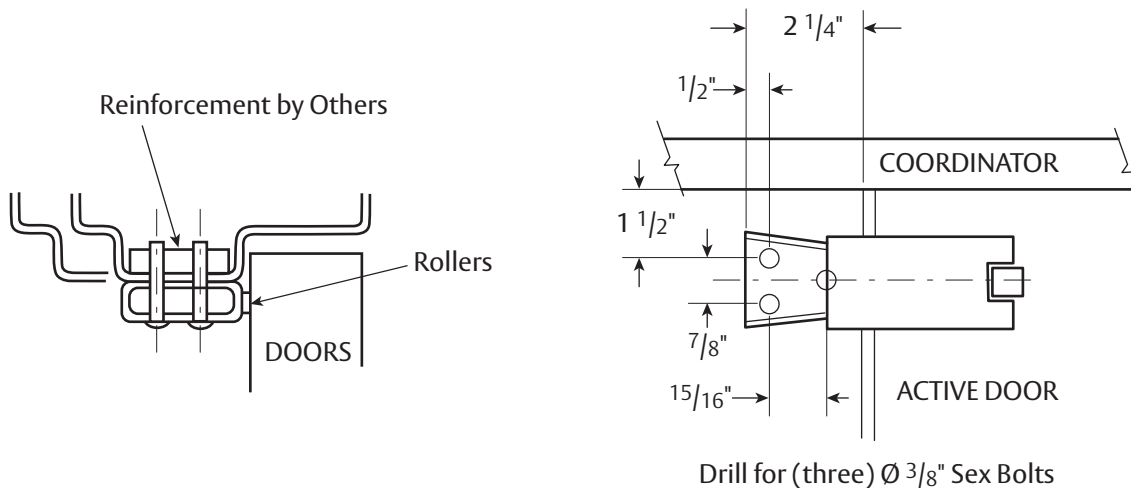


Spot (four) Holes in Door Stop
for #10-24 Machine Screws or #10 Wood Screws

Template T-1700

Effective date: July 23, 2015
Supersedes: All Previous

NOTE: Rockwood reserves the right to make product changes and is not responsible for obsolete template errors. To ensure your template is current, please visit our website at www.rockwoodmfg.com or call us at 800-458-2424



Rockwood Manufacturing Company
Rockwood, Pennsylvania 15557
Phone: (800) 458-2424 • Fax: (800) 922-9212
www.rockwoodmfg.com • rockwoodorders@assaabloy.com

Copyright © 2015, Rockwood Manufacturing Company, an ASSA ABLOY Group company. All rights reserved.
Reproduction in whole or in part without the express written permission of Rockwood Manufacturing Company is prohibited.