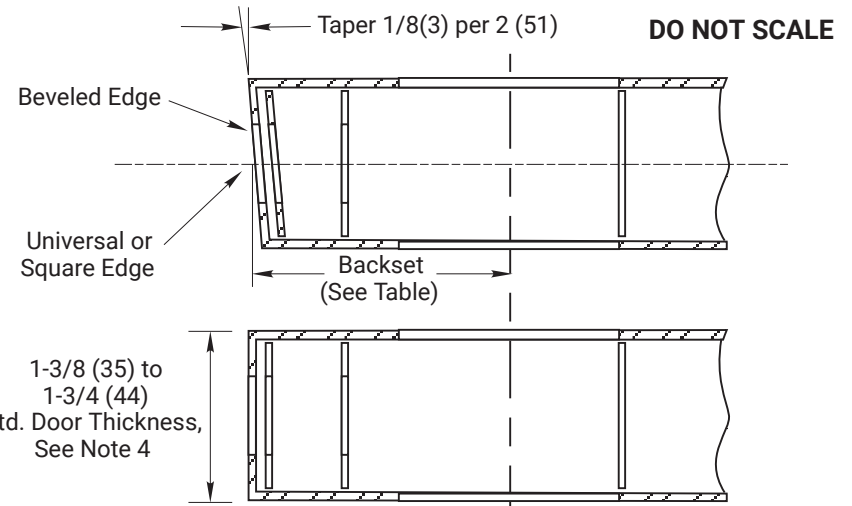


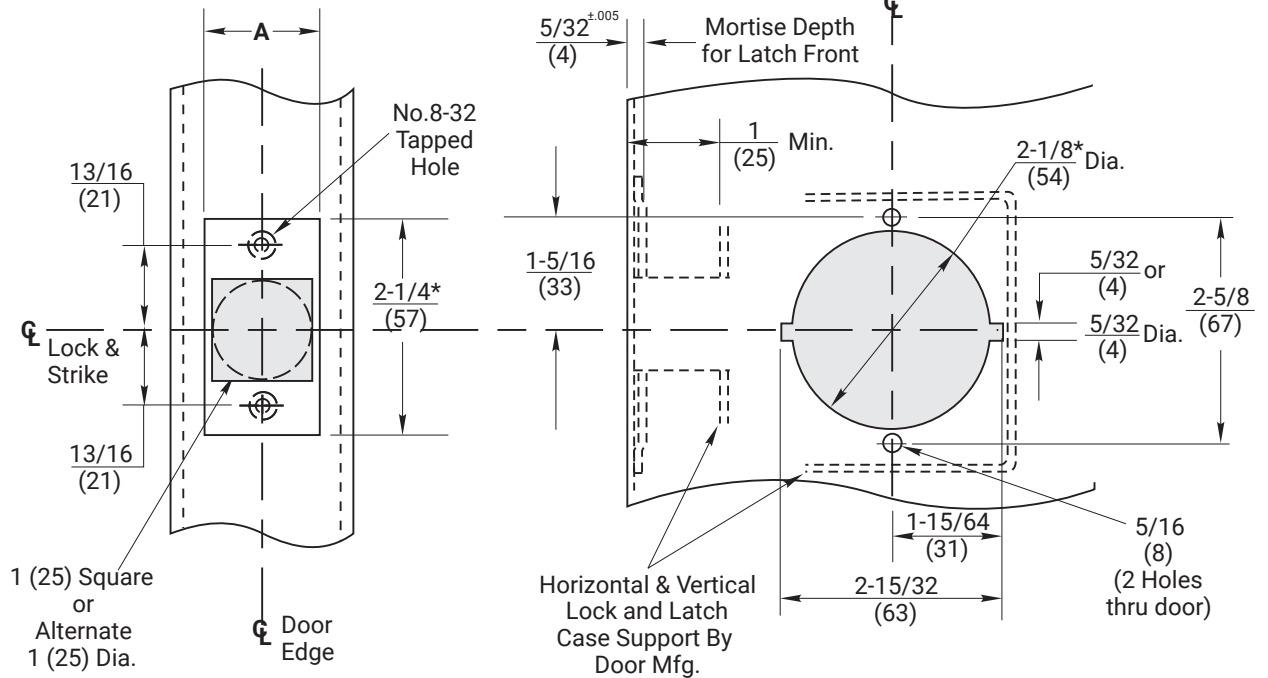
**4600LN SERIES  
Lever Locks**

Latch Mdl #	Type	Front	Front Dim. A	Backset	Throw	Latch Dia.
MCP238	Plain	Square	1(25)	2-3/8(60)	1/2(13)	7/8(22)
MCP238R	Plain	Round	1(25)	2-3/4(70)	1/2(13)	7/8(22)
MCP234	Plain	Square	1-1/8(29)	2-3/8(60)	1/2(13)	7/8(22)
MCP238	Deadlocking	Square	1(25)	2-3/8(60)	1/2(13)	7/8(22)
MCP238R	Deadlocking	Round	1(25)	2-3/8(60)	1/2(13)	7/8(22)
MCP234	Deadlocking	Square	1-1/8(29)	2-3/4(70)	1/2(13)	7/8(22)



**Notes:**

- For strike preparation refer to:  
497 strike = Template No. 7102-0003.  
371 strike = Template No. 7102-0005.
- Dimensions marked with \* have tolerances of +.015, -0.000
- All dimensions given in inches (mm).
- Standard locks adjustable for 1-3/8" (35) to 1-3/4" (44) door thicknesses.
- For universal or square edge doors.



Experience a safer  
and more open world

Copyright © 2010, 2023, 2024, ASSA ABLOY Access and Egress Hardware Group, Inc. All rights reserved. Reproduction in whole or in part without the express written permission of ASSA ABLOY Access and Egress Hardware Group, Inc. is prohibited.

**4600LN Series Lever Handle Cylindrical  
Locks H.M. Door Preparation  
2-3/4" and Optional Backsets**

1-855-557-5078 Ext. 2 [www.accentra-assaabloy.com](http://www.accentra-assaabloy.com)

**Template Number:  
7150-0105**

Date: 07/24

Sheet: 1 of 1

**ACCENTRA**  
**ASSA ABLOY**