



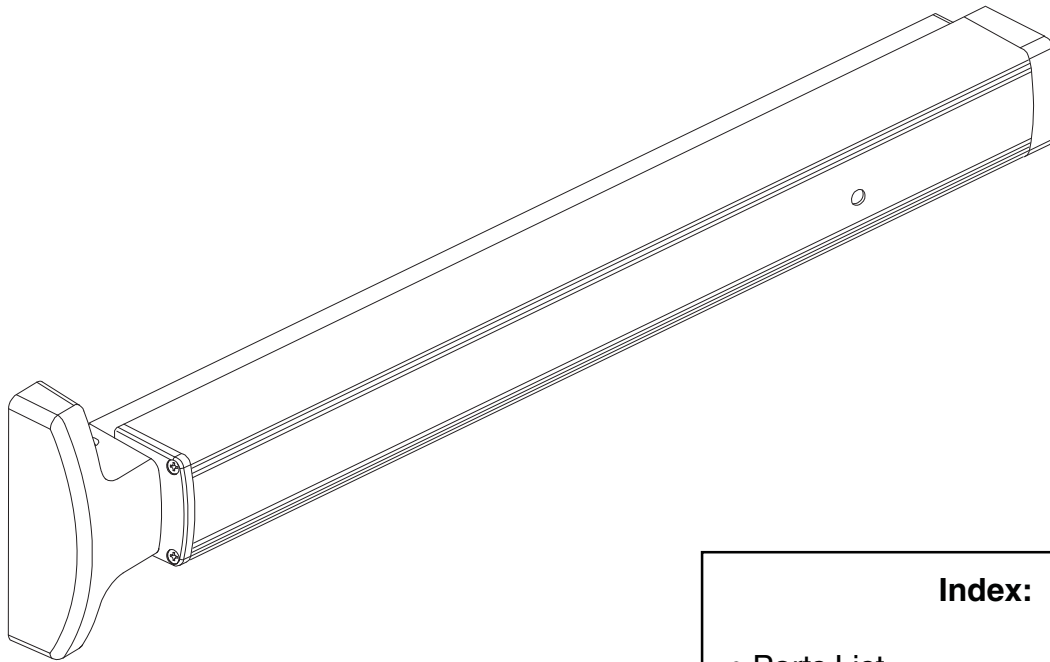
1690 Touchbar

FALCON®

ININST.1002

Concealed Vertical Rod Panic Device

Installation Instructions



Index:

- Parts List 2
- Touchbar Part Numbers 3
- Before Installation 3
- Installation 4
- Touchbar Dogging 10
- Setting Rod Lengths 11
- Re-handing Device 11
- Field Sizing Device 12
- 1990 Retrofit Instructions 14
- Template 16

NOTE: The door prep for the 1690 Hex Bottom Rod is different than for the RL bottom rod. Please verify rod type in package and prep required (page 16) before prepping the door.

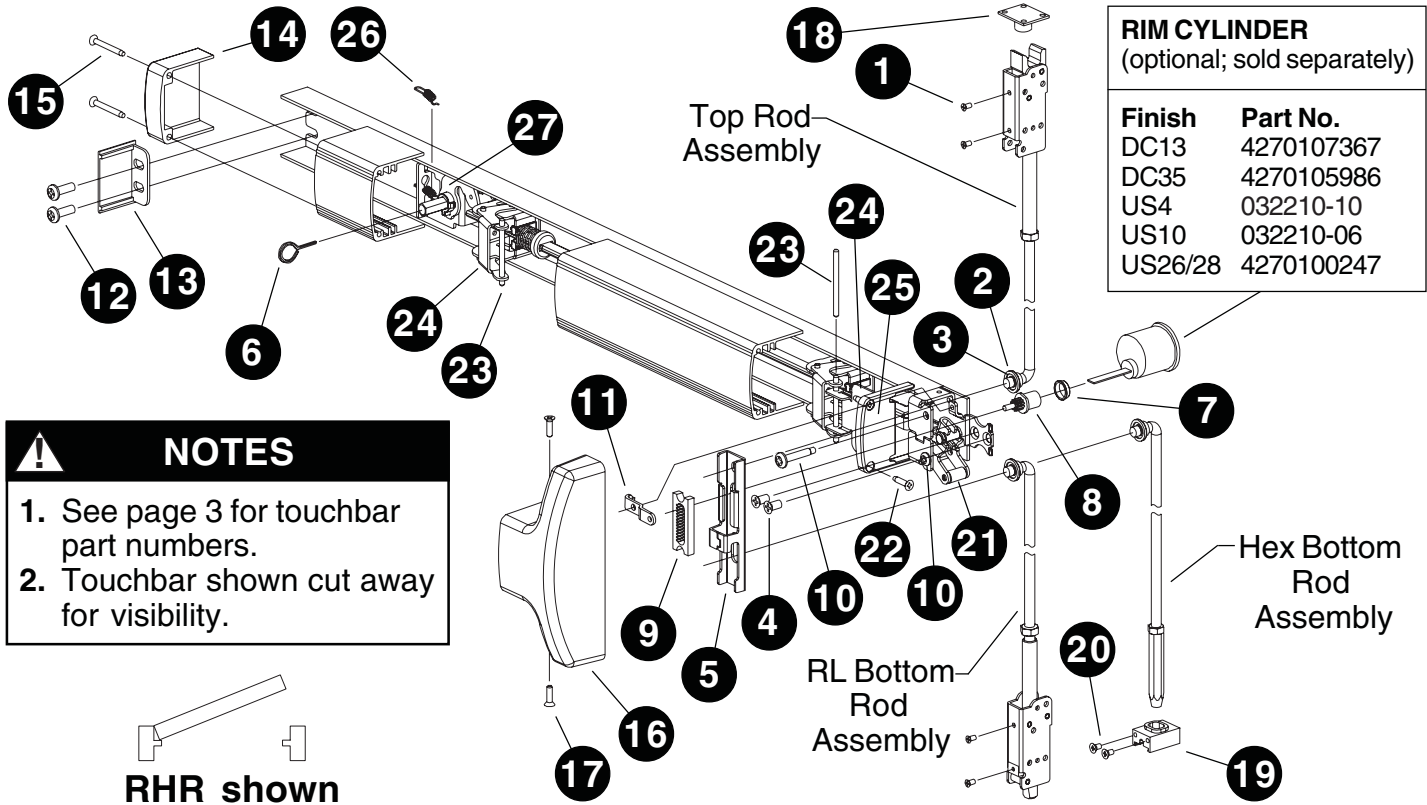


Customer Service

1-877-671-7011 www.allegion.com

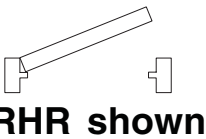
© Allegion 2014
Printed in U.S.A.
ININST.1002 Rev. 08/14-k

PARTS LIST



NOTES

- See page 3 for touchbar part numbers.
- Touchbar shown cut away for visibility.



Package No. PKG.150 (US28 finish) or Package No. PKG. 151 (DC13/DC35 finish)			
Item	Quantity	Description	Part No.
1	4	#10-32 x 1/4" UFPHMS US28 finish	963125-00
		DC13/DC35 finish	4270902255
2	2	Rod bearing bushing	BUSH.108
3	4	Retaining ring	RRING.108
4	2	1/4-20 x 1/2" FPHMS	SCREW.1052
5	1	Traveler liftbracket	BRKT.138
6	1	5/32" hex dogging key	4270106944

Package No. CYLAS.Y.1083			
Note: Optional. Required with rim cylinder only.			
Item	Quantity	Description	Part No.
7	1	Cylinder bushing	4270100663
8	1	Pinion cam	4270100566
9	1	Retractor	4270903161
10	1	Retainer screw	SCREW.1049
11	1	Pinion support bracket	BRKT.133

Package No. 4270902993			
Note: For use with EO and DT devices only.			
Item	Quantity	Description	Part No.
10	1	Retainer screw	SCREW.1049
11	1	Pinion support bracket	BRKT.133

Package No. ECAP.130			
Item	Quantity	Description	Part No.
12	2	1/4-20 x 1/2" PPHMS	4299100074
13	1	Channel end cap	ECAP.127
14	1	Hinge stile touchbar end cap	ECAP.128
15	2	#8 x 1-1/4" FPHTF	4299101314

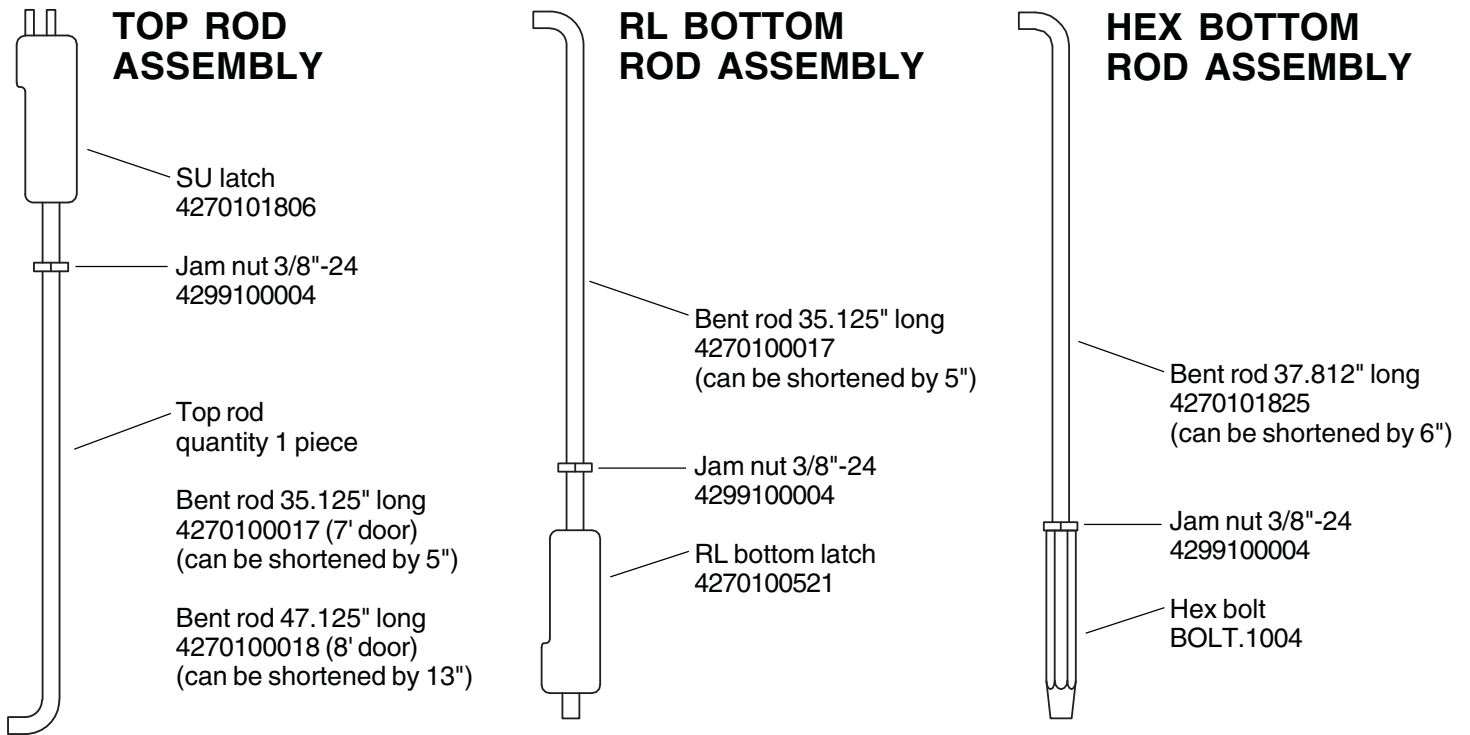
Package No. COVER.113			
Item	Quantity	Description	Part No.
16	1	Center case cover	COVER.112
17	2	#8 x 5/8" PPHTC Sems	4299101318

Package No. PB48			
Note: Contains strike, three shims, and four mounting screws.			
Item	Quantity	Description	Part No.
18	1	Strike	
		US28 finish	4270108353
		P13 finish	4270108354
		P35 finish	4270108355

Package No. 4270107176 (US28 finish) or Package No. 4270107178 (DC13/DC35 finish)			
Item	Quantity	Description	Part No.
19	1	Hex rod guide	4270101829
20	2	#10-24 x 3/8" UFPHTC Typ F Stl	
		US28 finish	4299100746
		DC13/DC35 finish	4299101027

Item	Quantity	Description	Part No.
21	1	Lift arm	BRKTASSY.107
22	2	#8 x 3/4" FPHTF	4299101313
23	2	Touchbar pin	PIN.125
24	2	Touchbar anchor	BRKT.128
25	1	Lock stile touchbar end cap	ECAP.129
26	1	Dogging spring	971493-89
27	1	Dogging assembly	
		DC13/DC35 finish	KIT.1022
		US28 finish	KIT.1021

PARTS LIST (CONTINUED)



TOUCHBAR PART NUMBERS

Finish	30" Nominal Device Length (24.785" Extrusion Length)		36" Nominal Device Length (30.785" Extrusion Length)		42" Nominal Device Length (36.785" Extrusion Length)		48" Nominal Device Length (42.785" Extrusion Length)	
	Without Dogging Hole	With Dogging Hole	Without Dogging Hole	With Dogging Hole	Without Dogging Hole	With Dogging Hole	Without Dogging Hole	With Dogging Hole
DC13	EXT.825	EXT.828	EXT.399	EXT.609	EXT.439	EXT.736	EXT.443	EXT.739
DC35	EXT.826	EXT.829	EXT.400	EXT.631	EXT.441	EXT.737	EXT.444	EXT.740
US3	EXT.2323	EXT.2351	EXT.2324	EXT.2355	EXT.2341	EXT.2359	EXT.2298	EXT.2363
US10	EXT.2333	EXT.2352	EXT.2334	EXT.2356	EXT.2345	EXT.2360	EXT.2303	EXT.2364
US26	EXT.2338	EXT.2353	EXT.2339	EXT.2357	EXT.2349	EXT.2361	EXT.2304	EXT.2365
US26D	EXT.2340	EXT.2354	EXT.2289	EXT.2358	EXT.2350	EXT.2362	EXT.2294	EXT.2366
US28	EXT.830	EXT.827	EXT.398	EXT.608	EXT.438	EXT.646	EXT.442	EXT.738

BEFORE INSTALLATION

1. Check "Parts List" (see page 2).
2. Prepare door using template on page 16.
3. Set initial rod lengths (see page 11). Rods are factory set for standard 7' door.
4. If door width is non-standard, cut device (see page 12).
5. If necessary, re-hand device (see page 11).

INSTALLATION

1 Install rod assemblies.

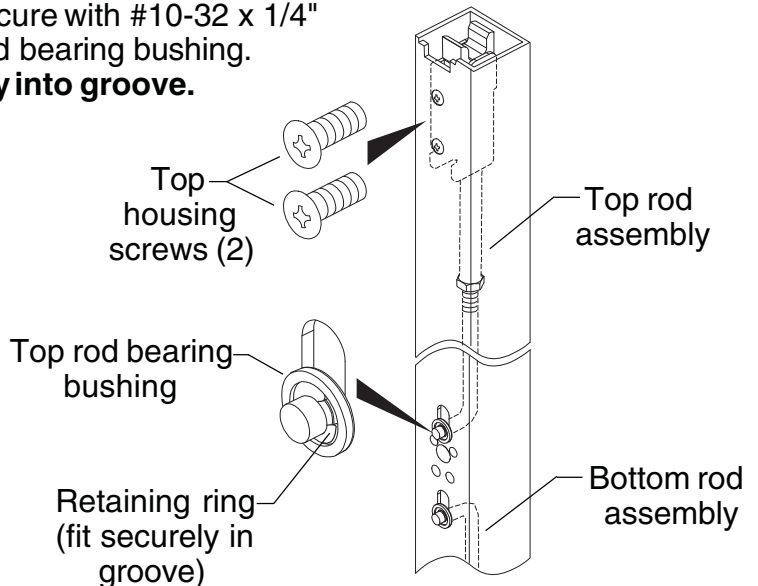
1.1. Install top rod assembly into door. Secure with #10-32 x 1/4" housing screws, retaining ring, and rod bearing bushing. **Make sure retaining ring fits securely into groove.**

1.2. Install bottom rod assembly into door same as top rod assembly.



NOTE

For hex bottom rod, hex guide mounting holes are horizontal. Use two #10-24 x 3/8" mounting screws provided in hex mounting package to mount hex guide. Discard two extra #10-32 x 1/4" mounting screws in device mounting package.

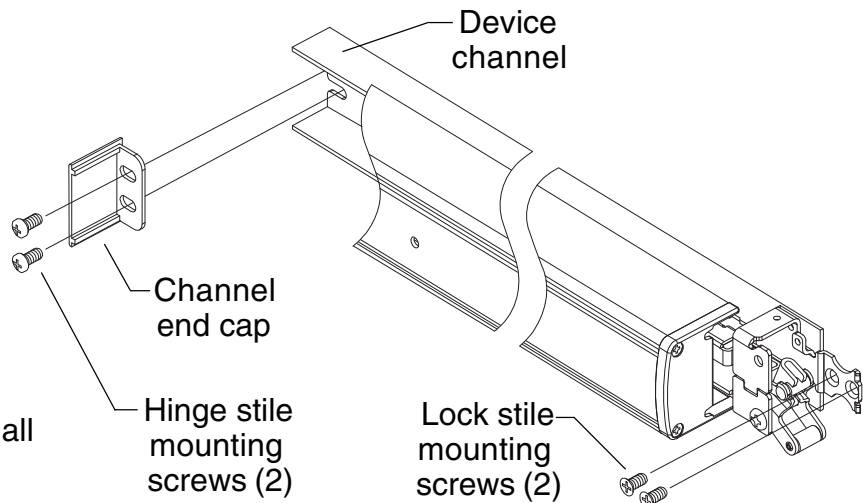


2 Mount device.

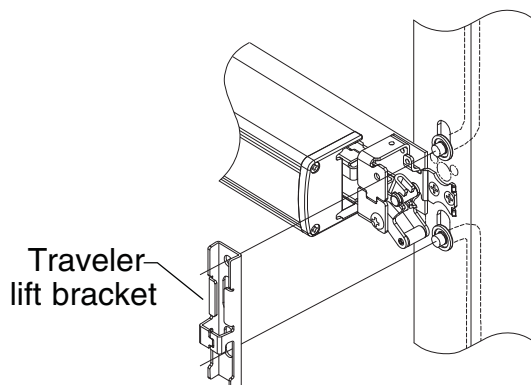
2.1. Start two 1/4-20 x 1/2" pan head hinge stile mounting screws in channel end cap. Leave screws loose.

2.2. Slide device channel under channel end cap aligning channel slots.

2.3. Attach lock stile of device to door using two 1/4-20 x 1/2" flat head lock stile mounting screws and tighten securely all four mounting screws.

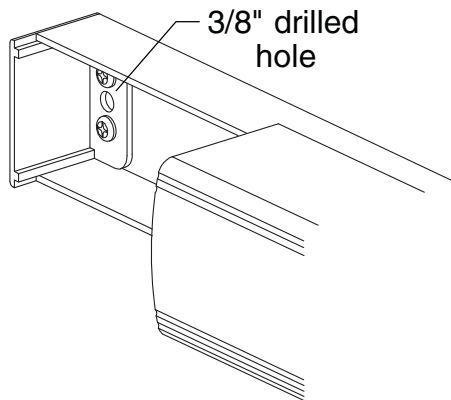


3 Install traveler lift bracket over rod ends as shown.



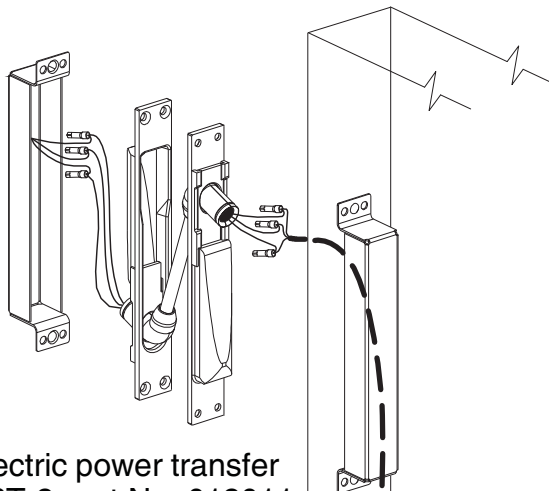
4 Prepare hole and wire EL/RX device. (If device is not EL/RX, go to Step 5.)

4.1. Drill 3/8" diameter hole for EL/RX wiring through channel end cap, channel, and inside face of door.



NOTE
Hole must be free of burrs.

4.2. Wire RX switch as shown below. For EL wiring, go to Step 4.3.



Electric power transfer
(EPT-2 part No. 012011
EPT-10 part No. 012012)

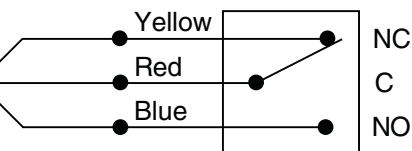
- The RX switch is activated when the touchbar is depressed.
- Use the Von Duprin EPT-10 power transfer (for three wires), EPT-2 power transfer (for two wires), electric hinge, electric pivot, or door loop to transfer the wiring from the door to the frame.
- Connect the power transfer wires and switch assembly wires with crimp connectors. Unused wires should be insulated separately.

NOTE
The RX switch is available only as a factory installed item. Part No. WIRE.1001 can be used only to replace the factory installed RX switch.

CAUTION
Wiring must be pulled tight so cable will not interfere with touchbar and channel movement.

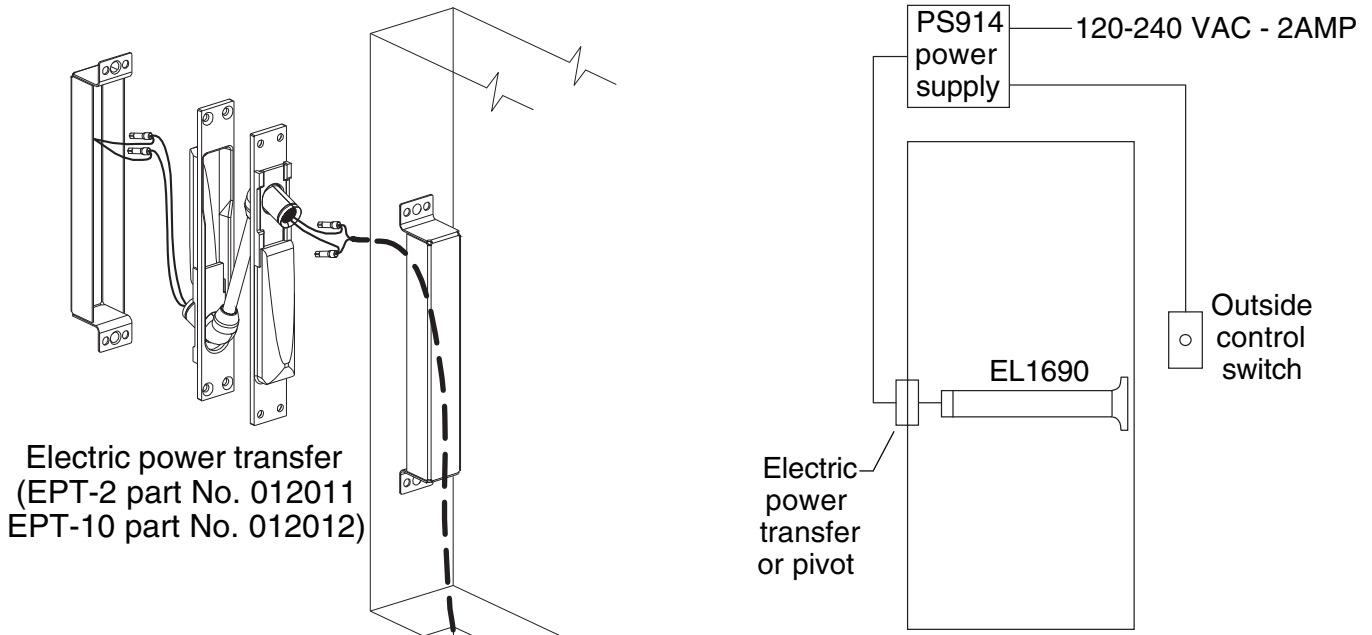
Touchbar

RX switch
(part No. WIRE.1001)



Switch shown not activated
(touchbar not depressed)

4.3. Wire EL solenoid as shown below. All EL1690 devices are fail secure.



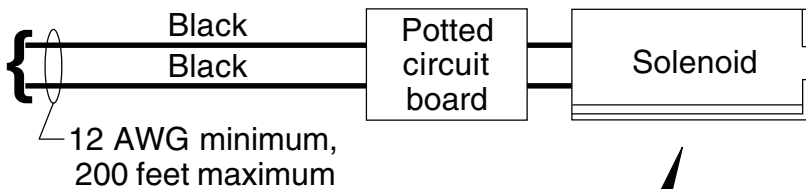
⚠ CAUTION
Wiring must be pulled tight so cable will not interfere with touchbar and channel movement.

⚠ NOTE
The potted circuit board is a protection circuit. It disconnects power from the solenoid if the plunger does not seat within a specified time. To reset the protection circuitry, remove power from the solenoid and reapply.

Solenoid (part No. 971687-00)

Plunger (part No. PLUNGER.101)

Solenoid must be wired to a PS914 power supply with a 900-2RS or 900-4RL option board installed.



Electrical Specifications

Voltage: 24 VDC
Current: 16 A inrush (0.3 sec.)
0.25 A holding

5 Adjust rods.

Top Rod Adjustment

- 5.1. Dog the device. If it dogs and undogs freely, go to Step 5.2. If it does not, the top rod is too long. To determine how much to shorten the top rod:
- Undog the device.
 - Hold the top rod all the way up and push the lift arm to the bottom of its travel with the touchbar completely out.
 - Measure the distance between the bottom of the traveler projection and the top of the lift arm roller (see Figure 5-1).
 - Subtract the distance from 1/2".
 - Using the difference from Step D, find the number of turns to shorten the top rod from the "Rod Adjustment Table" below.
 - Remove the top rod and shorten it by the required number of turns. Reinstall the top rod.
- 5.2. Dog the device and push the traveler against the lift arm while maintaining pressure on the traveler. Attempt to pivot the top latch bolt (See Figure 5-2). If the top latch bolt pivots freely, go to Step 5.3. If the top latch bolt drags or lifts the top rod, the top rod is too short. To determine how much to lengthen the top rod:
- Push the traveler all the way down then slowly lift it away from the lift arm until the top latch bolt moves freely.
 - Measure the distance between the bottom of the traveler projection and the top of the lift arm roller (see Figure 5-1).
 - Using the measured distance, find the number of turns to lengthen the top rod from the "Rod Adjustment Table" below.
 - Remove the top rod and lengthen it by the required number of turns. Reinstall the top rod.

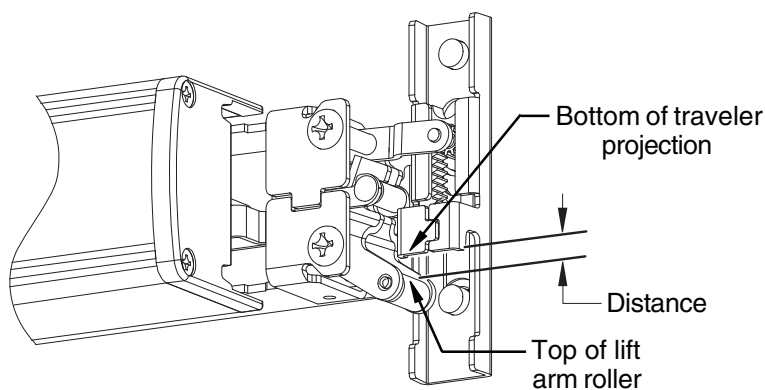


Figure 5-1

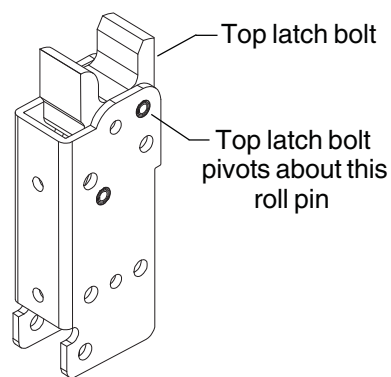


Figure 5-2

Rod Adjustment Table

Distance	1/32"	1/16"	3/32"	1/8"	5/32"	3/16"	7/32"	1/4"	9/32"	5/16"	11/32"	3/8"	13/32"	7/16"	15/32"	1/2"
No. of Turns	1	2	3	3	4	5	6	6	7	8	9	9	10	11	12	12

Bottom Rod Adjustment

- 5.3. Undog the device and push down firmly on the lift arm and on the end of the bottom rod (be sure the touchbar is all the way out). Find the distance of the bottom rod from the bottom of the door. Make sure you measure from the bottom of the door, **not** from the latch housing. If the bottom rod is flush with the door or sticks out from the door no more than 1/32" go to **Step 7**
- 5.4. If the bottom rod sticks out more than 1/32" the bottom rod is too long. To determine how much to shorten the bottom rod:
- Measure the distance that the bottom rod sticks out of the door and look up the number of turns required to shorten the bottom rod in the "Rod Adjustment Table."
 - Remove the bottom rod, shorten it by the required number of turns, and reinstall the bottom rod.
- 5.5. If the bottom rod is recessed into the door by more than 1/16" the bottom rod is too short. To determine how much to lengthen the bottom rod:
- Measure the distance that the bottom rod is recessed into the door and look up the number of turns required to lengthen the bottom rod in the "Rod Adjustment Table."
 - Remove the bottom rod, lengthen it by the required number of turns, and reinstall bottom rod.

6 Install outside cylinder. (If no outside cylinder, go to Step 8.)

- 6.1. Remove traveler lift bracket and axle (Figure 6-1).
- 6.2. Cut cylinder tailpiece to correct length (Figure 6-2).
- 6.3. Install cylinder into door and secure with two mounting screws. Screws must be flush with surface of door.



NOTE

The lift arm should remain attached to the device. Removing the axle simplifies Step 6.2.

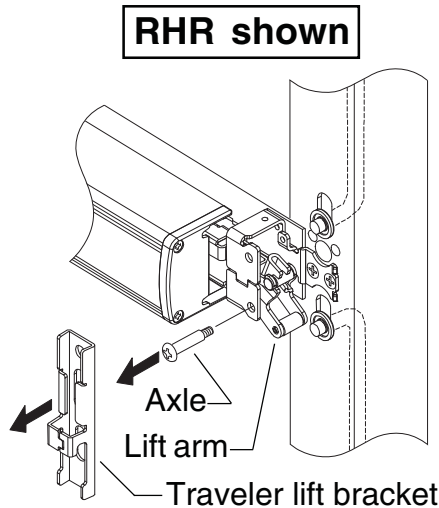
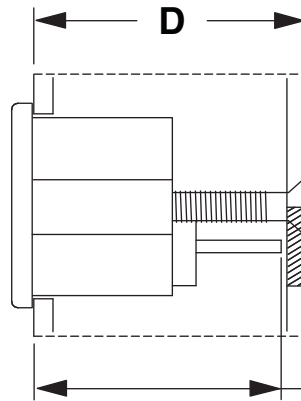


Figure 6-1



Cylinder mounting screws (2)



NOTE

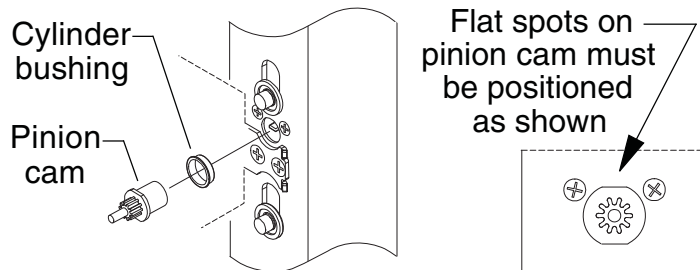
If 5/32" spacer is used, as in Kawneer applications, cut length is 1-23/32" for a 1-3/4" thick door.

Tailpiece cut length =
door thickness D
minus 3/16"

Figure 6-2

7 Install pinion cam, retractor, and traveler lift bracket (for outside cylinder only).

- 7.1. With cylinder in locked position and key removed, install cylinder bushing and pinion cam into hole (Figure 7-1). Orient pinion cam as shown.
- 7.2. Install retractor into traveler under tabs and place over rods (Figure 7-2). **Position retractor as shown for NL or HB function (Figure 7-3).**



NOTE

Apply a light coating of Duralub or equivalent lubricant to prolong life of pinion cam.

Figure 7-1

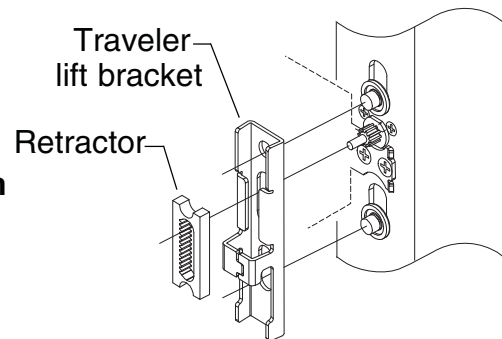
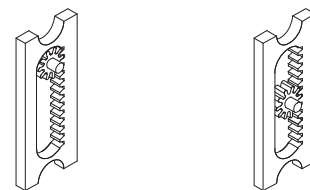


Figure 7-2



Hold back (HB) **Night latch (NL)**

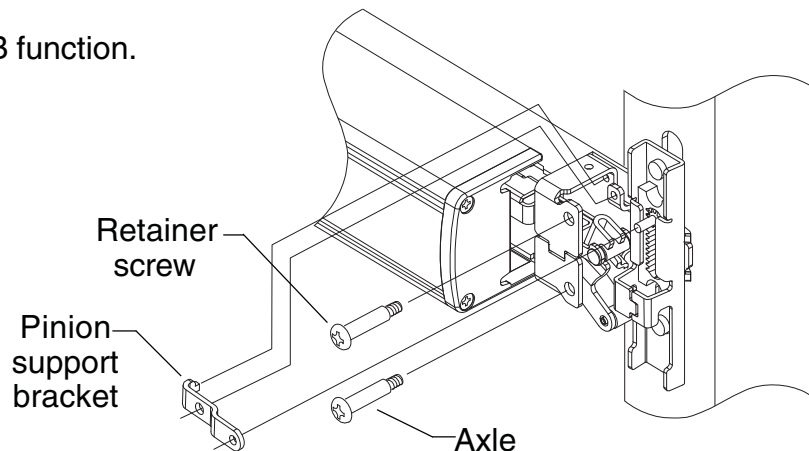
Install retractor with teeth to right as shown for both RHR and LHR doors; this makes all keys function in the same direction

Figure 7-3

8 Install pinion gear support bracket, retainer screw, and axle.

8.1. Install pinion gear retainer, retainer screw, and axle. (Retainer screw and axle are interchangeable.)

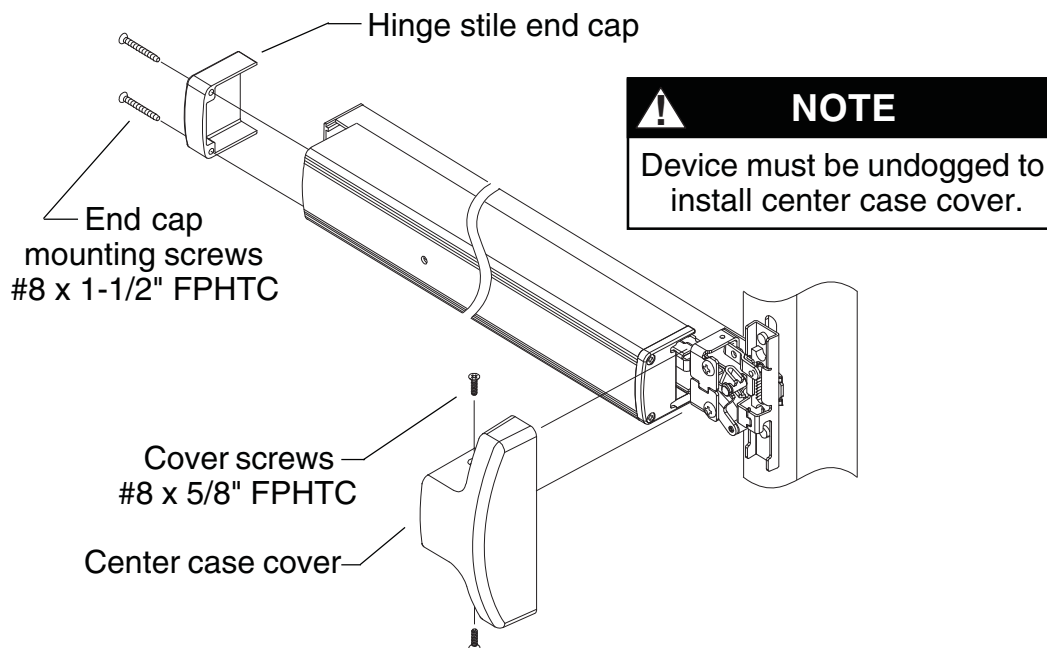
8.2. Test NL or HB function.



9 Install covers.

9.1. Install center case cover over center case and tighten securely with two (#8 x 5/8" FPHTC) cover screws.

9.2. Place hinge stile end cap over pushbar and secure with two (#8 x 1-1/2" FPHTC) end cap mounting screws.



10 Perform functional check.

10.1. Press touchbar and release so top latch locks forward. Bottom latch bolt should be flush to within 1/32" to bottom of door.

10.2. Dog device. Top latch should pivot freely.

TOUCHBAR DOGGING



NOTE

These instructions are for touchbar dogging of **new style** DOM 1690 devices. **New style** devices have two cover screws installed vertically into the center case cover. (Old style devices have four cover screws installed horizontally into the center case cover.)

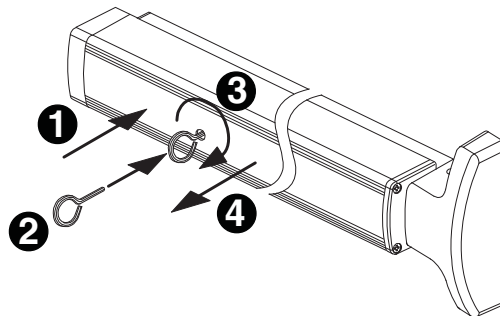


NOTE

EL (electric latch retraction) devices cannot be mechanically dogged using the touchbar. If mechanical hold back is required in addition to electric latch hold back, use the pull side HB key cylinder option.

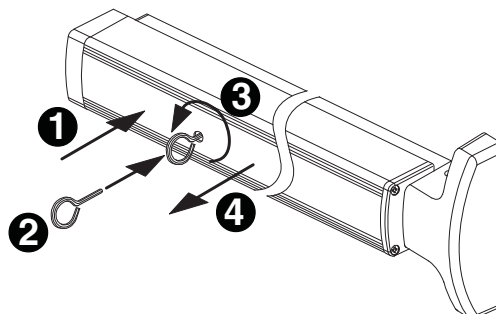
To Dog Device (hold latch retracted)

1. Depress touchbar with hand and maintain pressure on touchbar.
2. Insert dogging key into hole on touchbar.
3. Rotate key approximately 1/8 turn clockwise.
4. Release pressure on touchbar (touchbar will remain depressed to door).



To Undog Device (panic latch locks upon closing)

1. Depress touchbar with hand and maintain pressure on touchbar.
2. Insert dogging key into hole on touchbar.
3. Rotate key approximately 1/8 turn counterclockwise.
4. Release pressure on touchbar (touchbar will extend from door).



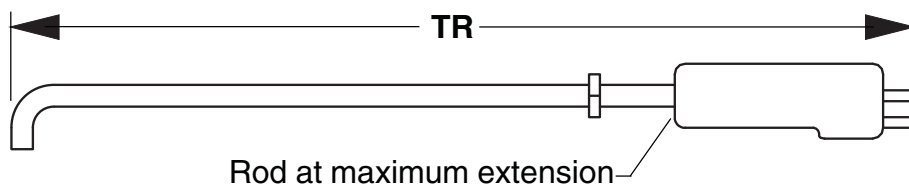
SETTING ROD LENGTHS

NOTE

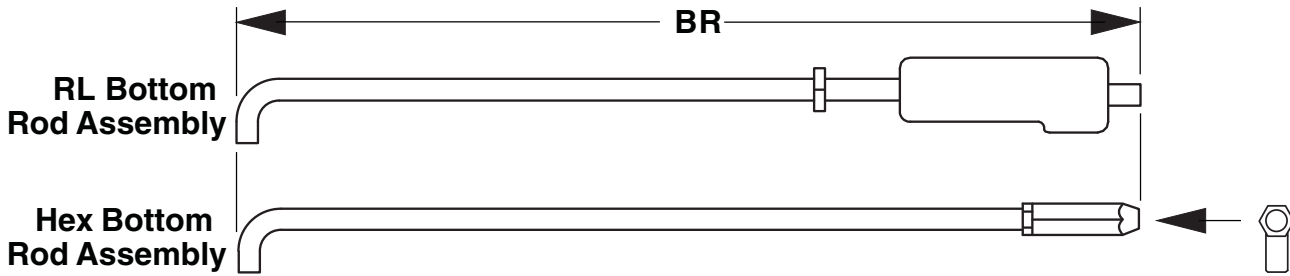
Factory length settings are for standard 7' door (door height = 83.187") with **C** dimension = 41.313":
TR = 41-7/32" (41.219") and **BR** = 39-25/32" (39.781")

1. Determine top rod set length TR: **TR = door height - C - 0.655"**

where **C** = distance from center line of pinion to bottom of door (template standard is 41-5/16").



2. Set top rod to nearest 1/32" as determined in Step 1. Jamb nut must be tightened so bent end of rod is parallel to sides of latch housing.
3. Determine overall bottom rod length BR: **BR = C - 1.532"**



4. Set bottom rod to nearest 1/32" as determined in Step 3. For RL bottom rod assembly, jamb nut must be tightened so bent end of rod is parallel to sides of latch housing. For hex bottom rod assembly, jamb nut must be tightened so bent end of rod is perpendicular to flat on hex bolt (see end view).

End View
 Rod end must be parallel to flat on hex bolt

RE-HANDING DEVICE

1. Remove axle (Figure 1).
2. Remove lift arm and reinstall on opposite side (Figure 2).
3. Reinstall axle and tighten securely (Figure 3).
4. Verify that lift arm moves smoothly when touchbar is depressed.

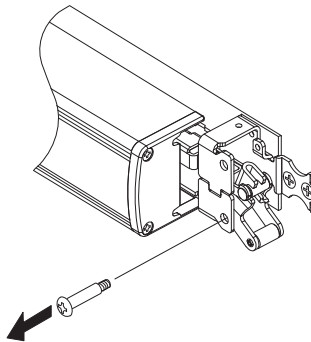


Figure 1

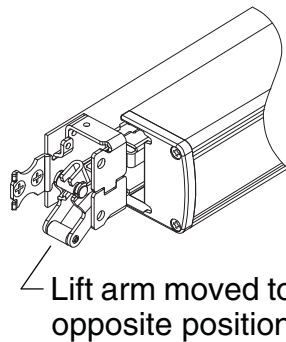


Figure 2

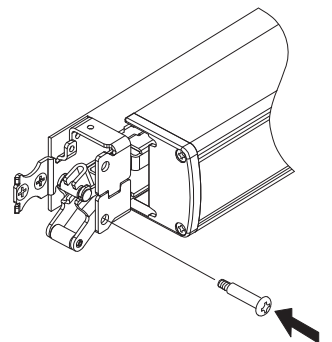


Figure 3

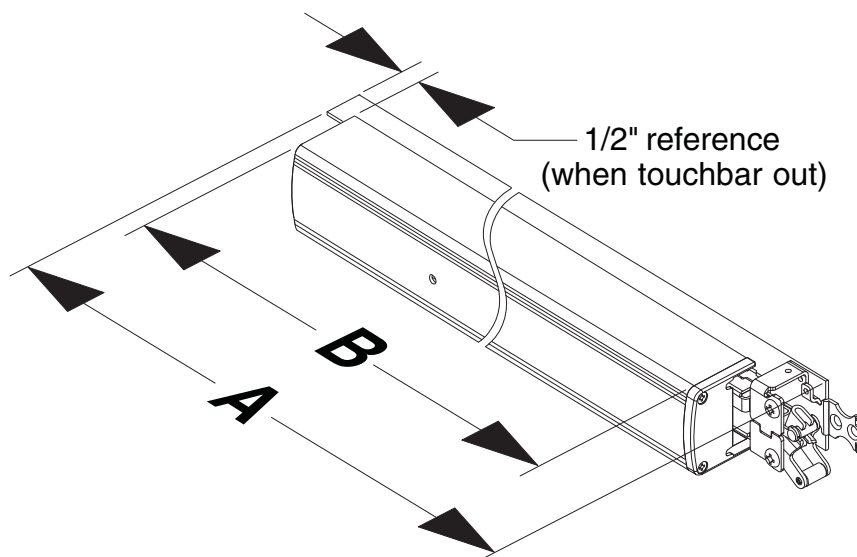
FIELD SIZING DEVICE

Note: These instructions assume a 1/2" blade stop on the door frame.

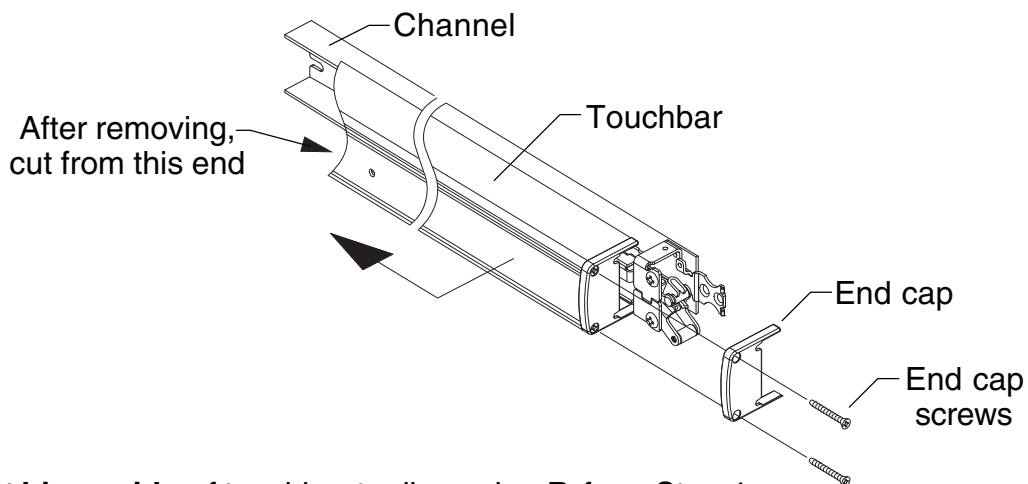
1. Determine door clear opening. This is the distance inside the frame.
2. Determine channel cut length **A**: **A = door opening – 2-27/32"**
3. Verify that **A** determined in Step 2 is not less than minimum **A** dimension listed in table.
Standard 1690 devices can be shortened by up to 6". EL devices can be shortened by up to 1.5".

Standard Device Size	Factory Dimension A	Standard Device Minimum Dimension A	EL Device Minimum Dimension A
2' 6"	27.138"	21.138"	25.638"
3' 0"	33.138"	27.138"	31.638"
3' 6"	39.138"	33.138"	37.638"
4' 0"	45.138"	39.138"	43.638"

4. Determine touchbar cut length **B**: **B = door opening – 5-7/32"**



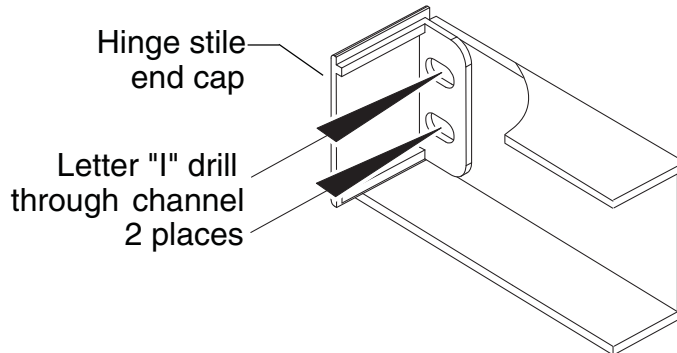
5. Remove two end cap screws, end cap, and touchbar.



6. Cut **hinge side** of touchbar to dimension **B** from Step 4.
7. **Cover device mechanism to keep chips out** and cut channel to dimension **A** from Step 4.

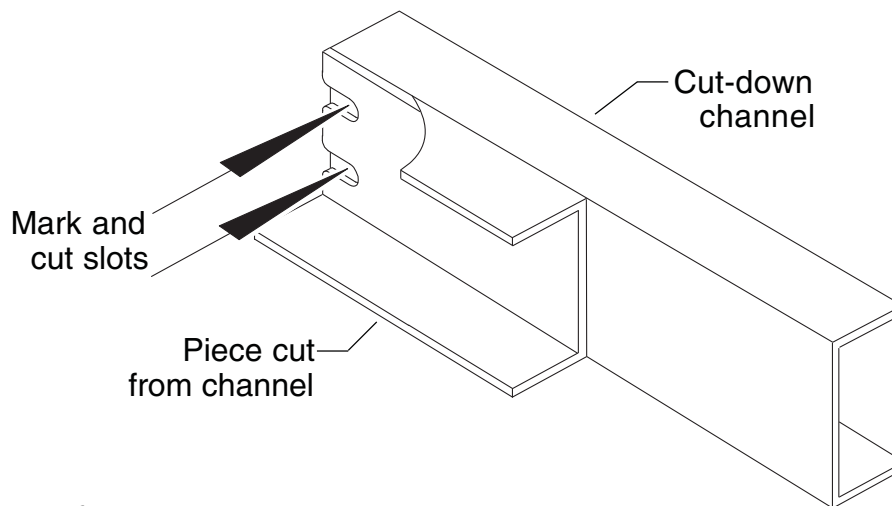
8. If hinge stile has not been prepared for channel hinge stile 1/4-20 mounting screws:

Place hinge stile end cap into hinge end of channel. Drill through the center of end cap slots using a letter "I" drill. These two holes will be used to transfer location of mounting screw holes to hinge stile when device is applied to door.

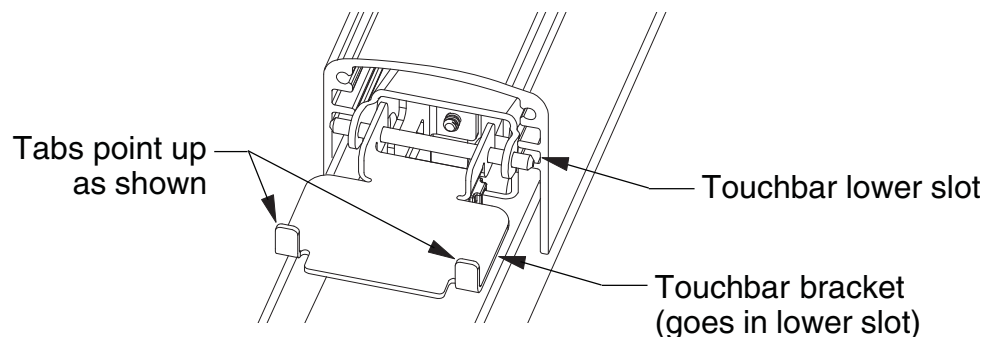


- If hinge stile has been prepared for channel hinge stile 1/4-20 mounting screws:

Using end cut from channel in Step 3 as a template, place backs of channel sections against each other and align ends. Mark slot pattern on the cut-down channel. Following all safety precautions, use a drill and aluminum saw to cut slots in cut-down channel section.



9. Clean debris from touchbar and channel.
10. Slide pushbar over touchbar pins. Make sure to install both pins in lower slot in pushbar. If touchbar bracket is removed, it should be reinstalled with stop tabs turned up away from channel.

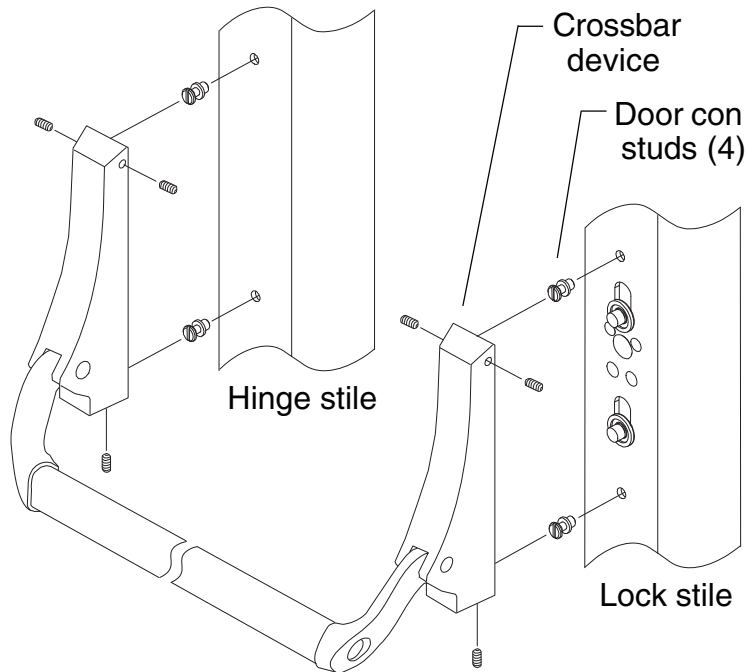


11. Reinstall end cap and screws.

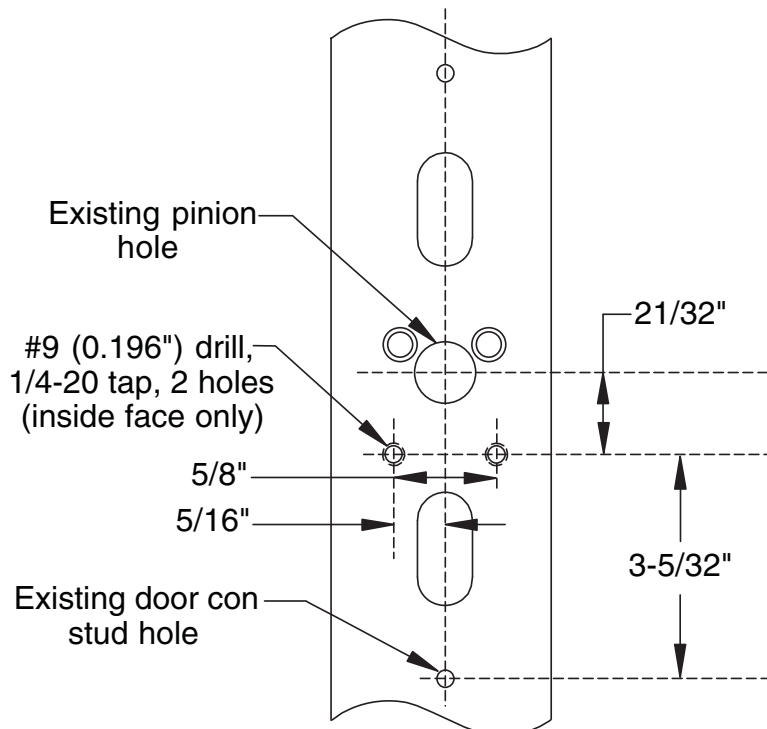
1990 RETROFIT INSTRUCTIONS

1. Remove crossbar device, door con studs, traveler, retractor, pinion, pinion bushing, rod bushings and rings from door.

Note: Pinion, pinion bushing, and retractor present on NL/HB devices only.

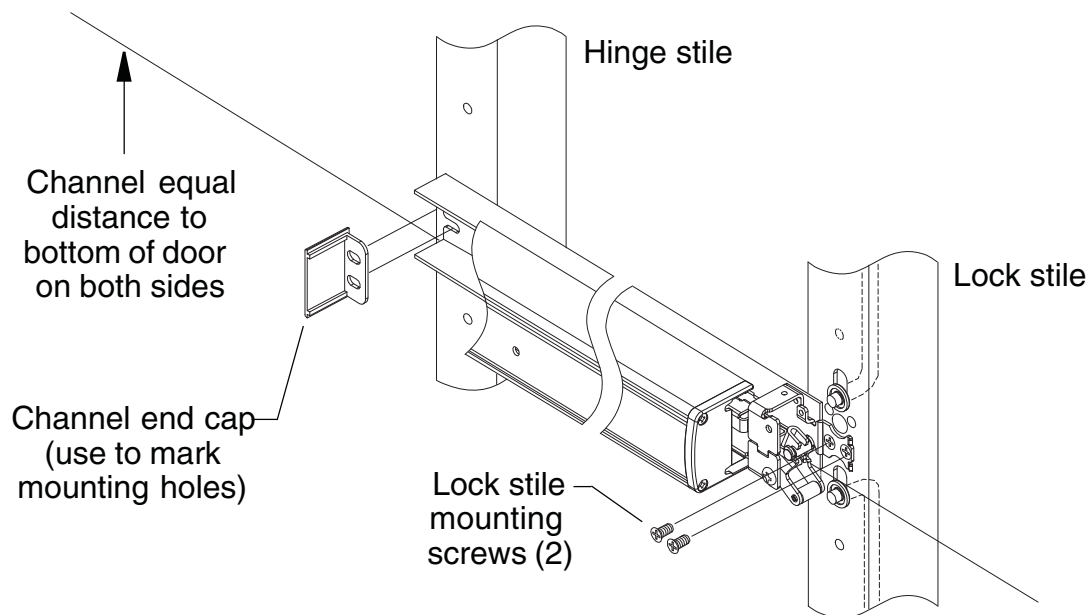


2. If non-standard door width, follow field sizing directions on page 12 to size device to appropriate length.
3. Using existing pinion or door con stud holes as a reference, locate the two 1/4-20 mounting holes on the lock stile. Drill and tap 1/4-20, inside face only.

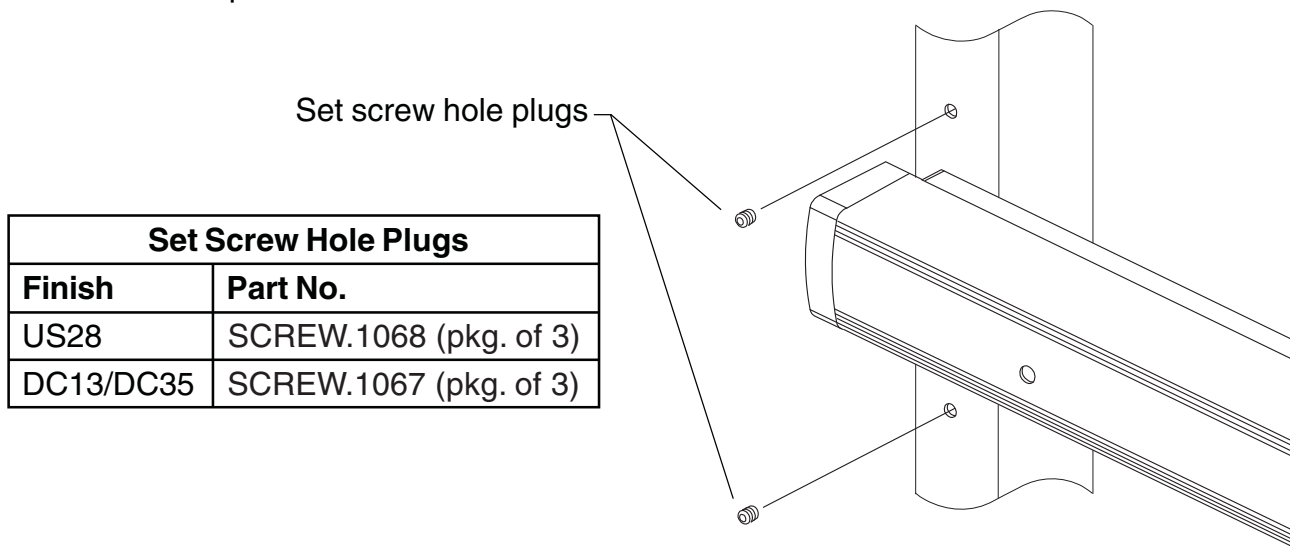


Continued on next page

4. Install new rod bushings and retaining rings (refer to Step 1 on page 4 of instructions).
5. Mount the device to the lock stile using the supplied 1/4-20 undercut flat head screws.
6. Position the device horizontally on the door (same distance from bottom of door to bottom of channel on both stiles).
7. Position channel end cap in end of channel and use to mark locations for hinge mounting holes.



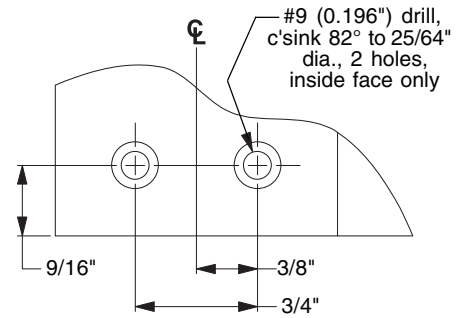
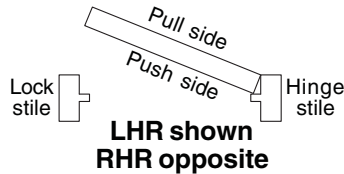
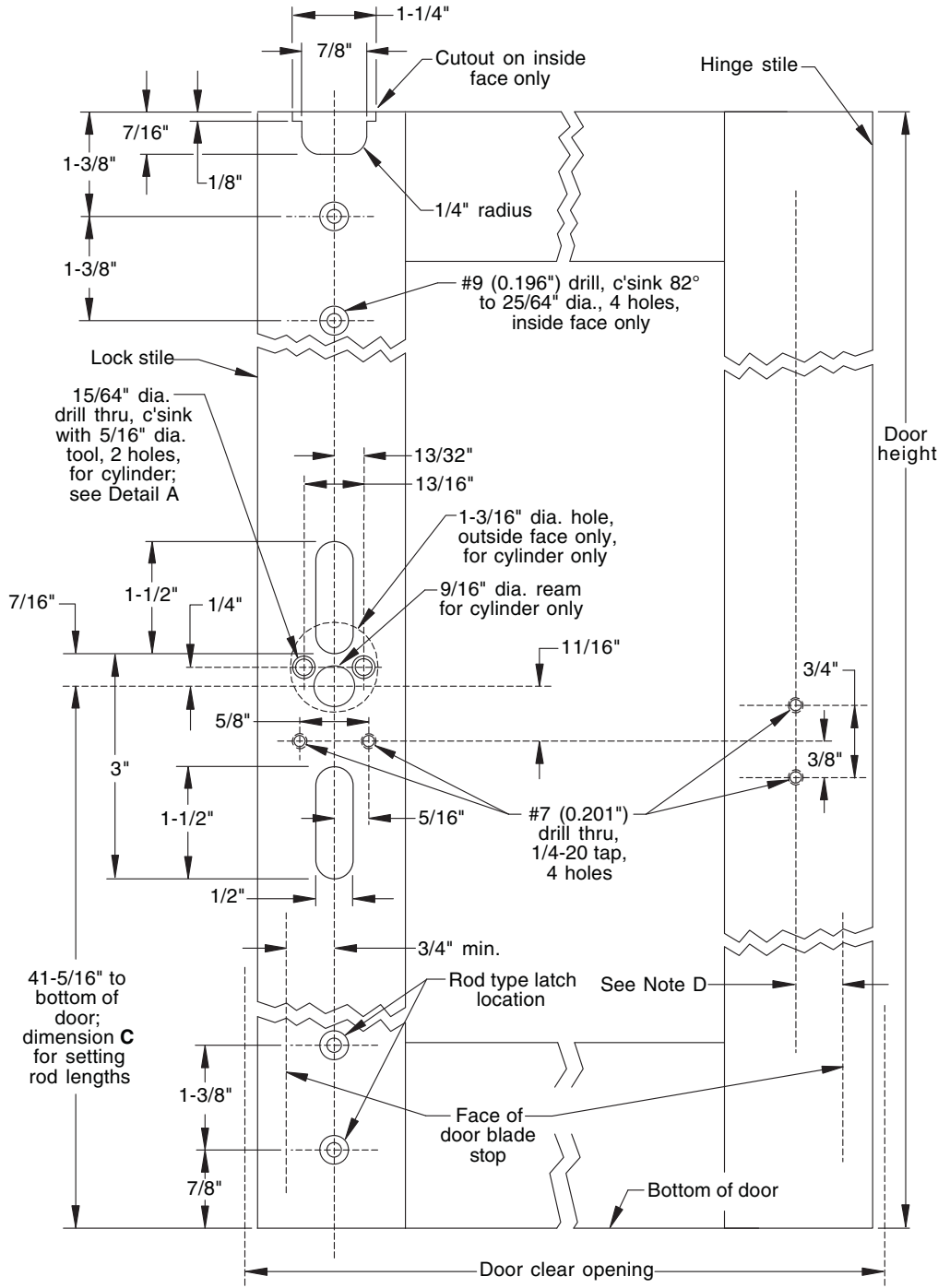
8. Remove the device from the door.
9. Drill and tap through two 1/4-20 mounting holes on hinge stile, inside face only.
10. Continue on with 1690 installation instructions.
11. When installation is complete, remove the 1/4-20 set screws from the old 1990 end cases and install them in the exposed 1990 door con stud holes on the hinge stile. The lock stile holes do not need to be filled. If the set screws in the 1990 end cases are unavailable or unusable, new set screws can be ordered as listed in the table below. New set screw hole plugs are factory supplied if retrofit is specified on the device order.



Set Screw Hole Plugs	
Finish	Part No.
US28	SCREW.1068 (pkg. of 3)
DC13/DC35	SCREW.1067 (pkg. of 3)

With Standard Rods and Latches

1690 Touchbar Concealed Vertical Rod Panic Device Door Preparation Template



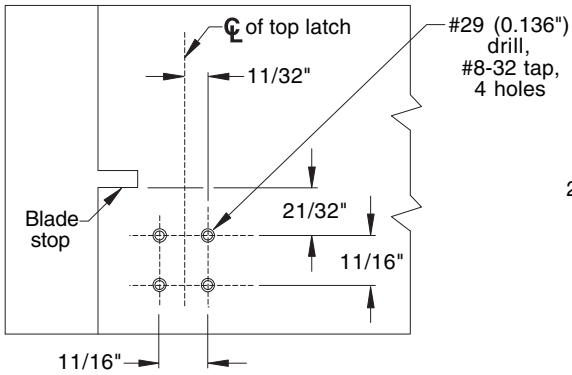
Hex Bottom Bolt Mounting Location

NOTES

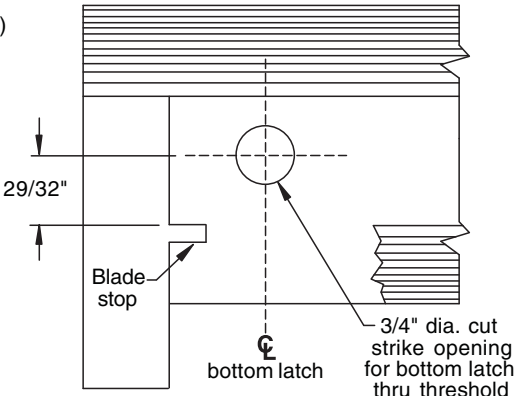
1. All holes inside face only except as noted.
2. All dimensions for 1-3/4" thick, 1/8" wall doors. Consult factory for others.

NOTE D

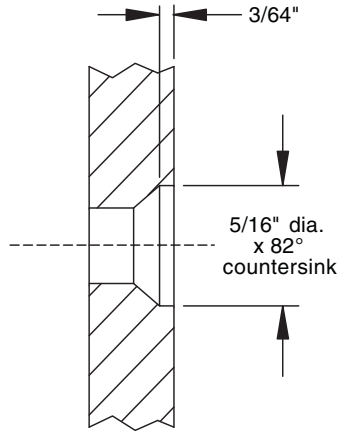
Dimensions from face of door blade stop to mounting hole center lines 3/4" minimum.



Bottom Plan View, Head Jamb (looking up) Showing Upper Strike Mounting Holes



Top Plan View, Rod Latch Showing Strike Cutout in Threshold for Round Latch



Detail A (for cylinder)