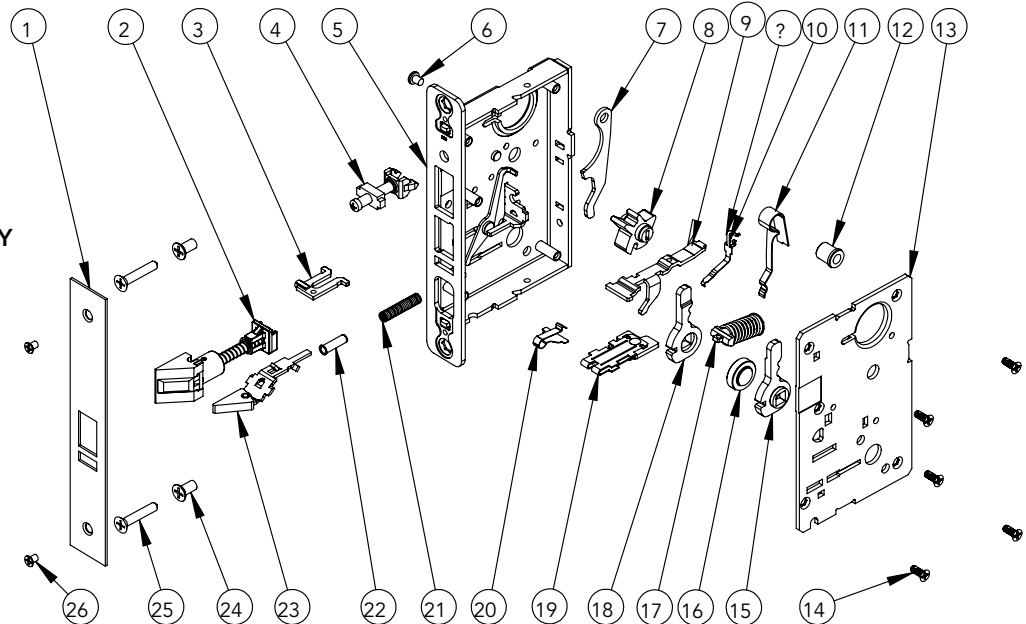


PARTS LIST

8200 Series
Mult-Function Lock Body

- 8204 STOREROOM OR CLOSET
- 8205 OFFICE OR ENTRY
- 8206 STOREROOM OR SERVICE
- 8213 EXIT LATCH
- 8231 UTILITY
- 8236 CLOSET
- 8237 CLASSROOM
- 8238 CLASSROOM SECURITY INTRUDER LATCHBOLT



ITEM NO.	QTY	PART NUMBER	DESCRIPTION
1	1	82-0424	OUTSIDE FRONT
2	1	82-3655	LATCHBOLT ASSEMBLY
3	1	82-2121	FIRE STOP ASSEMBLY
4	1	82-4172	CYLINDER RETAINER ASSEMBLY
5	1	—	CASE ASSEMBLY
6	1	01-9180	MULTI-FUNCTION SCREW
7	1	82-0160	CYLINDER LATCH LEVER (CLASSROOM)
8	1	82-0168	CONTROL HUB
9	1	82-0103	GUARD LEVER
10	1	82-0138	GUARD LEVER SPRING
11	1	82-0161	CLASSROOM SPRING
12	1	82-0171	SPACER (CLASSROOM)
13	1	82-0024	MORTISE LOCK CAP
14	5	01-4402	MACHINE SCREW (#8-32 X 5/16")
15	1	82-0422	CAP HUB
16	1	82-0120	SPACER (HUB)
17	1	82-2004	SPRING CARTRIDGE ASSEMBLY
18	1	82-0421	CASE HUB
19	1	82-3092	LOCKING PIECE ASSEMBLY
20	1	82-0102	TOGGLE SPRING
21	1	82-0393	GUARD BOLT SPRING
22	1	82-0392	SPRING GUIDE EYELET
23	1	82-2029	GUARD BOLT ASSEMBLY
24	2	01-1019	MACHINE SCREW (#12-24 X 1/2")
25	2	01-2299	WOOD SCREW (#12 X 1-1/4")
26	2	01-1028	MACHINE SCREW (#8-32 X 1/4")