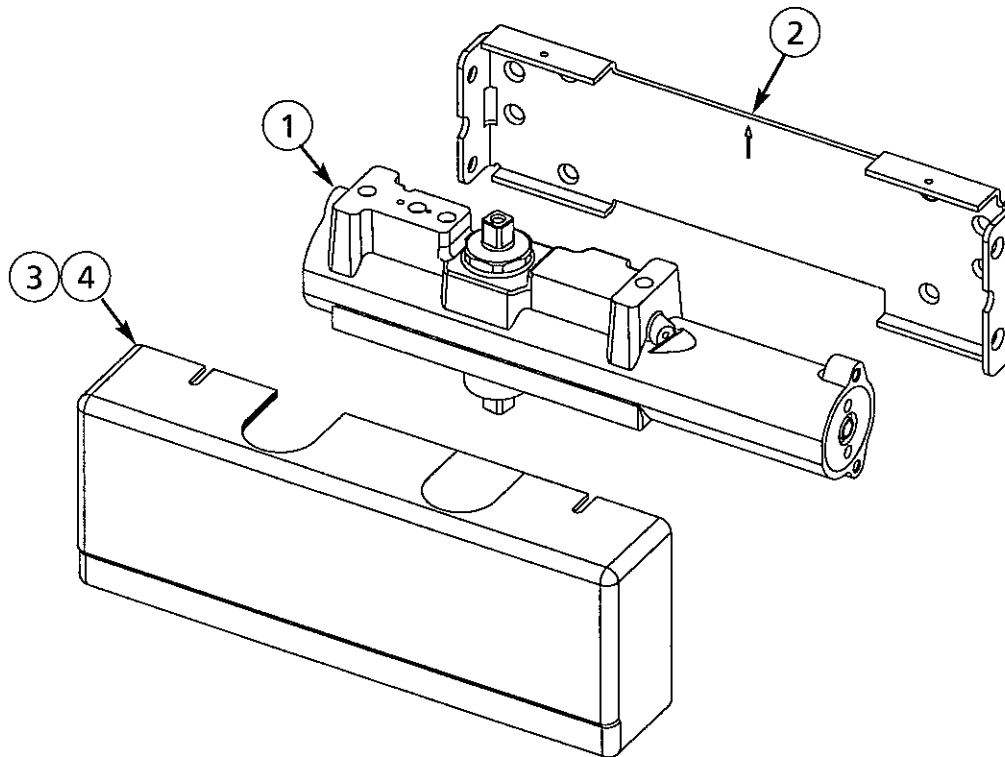


281 Series Door Closer Body Assembly & Cover

PARTS LIST

PAGE NO. REV.
1 A
DATE: 4/1/04



ITEM	ASSY No.	PART No.	DESCRIPTION	REQ'D
1		13-281	281 Case	1
		13-281-DA	281 Delayed action case	
		13-281-ABC	281 Advanced backcheck case	
2		63-0555	Mounting bracket	1
3		281-C**	Plastic cover non-handed	1
4		281-MC-LH*	Metal cover L.H. (see note)	1
		281-MC-RH*	Metal cover R.H. (see note)	
5	63-3481* Screw pack		Arm mounting screw #12-24 x 3/8"	1
			Arm mounting screw washer	1
			Cover screw #8-32 x 5/16"	2
			Case/bracket mounting screw #12-24 x 5/8"	8
			01-9118	Self drilling tapping case mounting screw
6		01-2300	Wood screw #12 x 1-1/2" (optional)	4

* Finish required: Powder coat finishes – EB, EN, ED, EP, EAB
Plated finishes – 3, 4, 9, 10, 10B, 26, 26D

** Powder coat finishes only

Note: Specify arm being used