

80 Series Parts List

12-SP8706 12-SP8773 12-PP8743 12-PP8715
 12-PR8715 12-SP8710 12-SP8774 12-PR8710
 12-PP8746 12-PR8740 12-SP8713 12-PR8774
 12-PP8706 12-PP8773 12-PR8743 12-SP8746
 12-SP8715 12-PP8710 12-PP8774 12-PP8740
 12-PR8746 12-SP8740 12-PP8713 12-PR8713
 12-PR8706 12-PR8773 12-SP8743

PARTS LIST

PAGE REV.
 No. No.
 87.11A C

ITEM No.	ASSY No.	PART No.	DESCRIPTION	QTY
1		68-1184	GUIDE PIN	1
2		68-1208	ET CAM, LEFT HAND	1
		68-1209	ET CAM, RIGHT HAND	
3		68-1170	LEFT HAND OUTSIDE ACTUATOR	1
		68-1171	RIGHT HAND OUTSIDE ACTUATOR	
4		68-1193	SPRING, UPPER LINK	1
5		68-4270	UPPER LINK ASSEMBLY, LHRB	1
		68-4271	UPPER LINK ASSEMBLY RHRB	
6	68-3931 LHRB	68-0101	LEFT HAND CENTER LINK	1
		68-0102	RIGHT HAND CENTER LINK	
7	68-3932 RHRB	68-1180	TUBE SUPPORT	1
8		01-3595	CR-RHMS 8-32x0.25	2
9		68-1137	LIFT ARM	1
10		97-0048	BOTTOM ROD ADJUSTMENT PIN	1
11		68-1210	HAIR PIN	1
12		68-1191	LINK PIN	1
13		98-0238	COTTER PIN	1
14		68-1182	PIN, CENTER LINK	1
17		01-4512	SPIROL PIN	1
18		01-0005	RETAINING RING	1
19		68-0405	COVER, CHASSIS *	1
20		97-0052	SCREW #8-32 x 5/16 *	4
-		68-3028	SCREW PACK	1

* SPECIFY FINISH

NOTE: FOR 12- APPLICATIONS,
 CHASSIS ASSEMBLY, 68-3931 OR 68-3932
 CAN ONLY BE ORDERED AS AN ASSEMBLY.

NOTE: COMPATIBLE WITH 700-8 ET
 AND DUMMY TRIM ONLY.

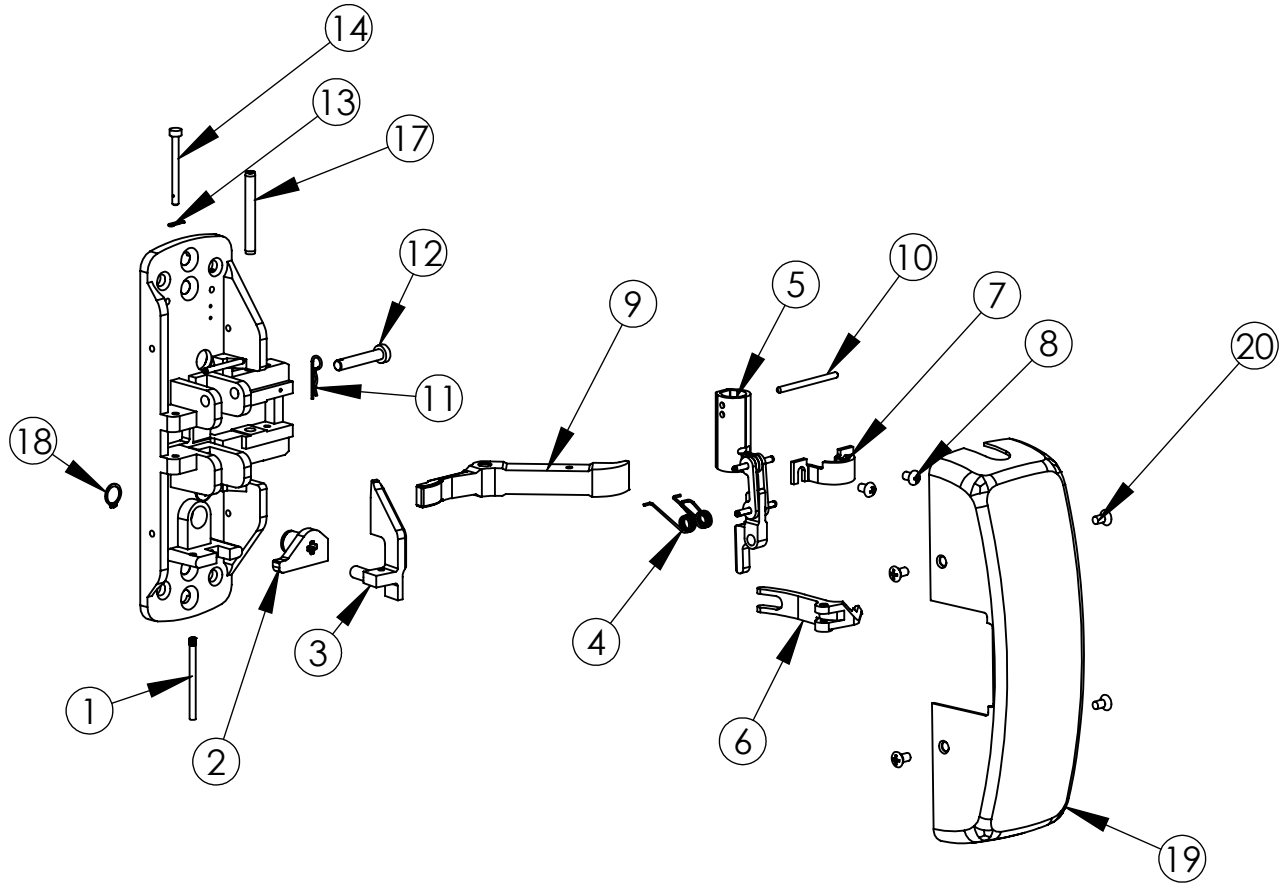
8⁰ Series Parts List

12-SP8706	12-SP8773	12-PP8743	12-PP8715
12-PR8715	12-SP8710	12-SP8774	12-PR8710
12-PP8746	12-PR8740	12-SP8713	12-PR8774
12-PP8706	12-PP8773	12-PR8743	12-SP8746
12-SP8715	12-PP8710	12-PP8774	12-PP8740
12-PR8746	12-SP8740	12-PP8713	12-PR8713
12-PR8706	12-PR8773	12-SP8743	

PARTS LIST

PAGE	REV.
No.	
87.11B	C

8/2009



THIS PAGE MUST FACE 87.11A